



Chipsmall Limited consists of a professional team with an average of over 10 year of expertise in the distribution of electronic components. Based in Hongkong, we have already established firm and mutual-benefit business relationships with customers from,Europe,America and south Asia,supplying obsolete and hard-to-find components to meet their specific needs.

With the principle of "Quality Parts,Customers Priority,Honest Operation,and Considerate Service",our business mainly focus on the distribution of electronic components. Line cards we deal with include Microchip,ALPS,ROHM,Xilinx,Pulse,ON,Everlight and Freescale. Main products comprise IC,Modules,Potentiometer,IC Socket,Relay,Connector.Our parts cover such applications as commercial,industrial, and automotives areas.

We are looking forward to setting up business relationship with you and hope to provide you with the best service and solution. Let us make a better world for our industry!



Contact us

Tel: +86-755-8981 8866 Fax: +86-755-8427 6832

Email & Skype: info@chipsmall.com Web: www.chipsmall.com

Address: A1208, Overseas Decoration Building, #122 Zhenhua RD., Futian, Shenzhen, China



4

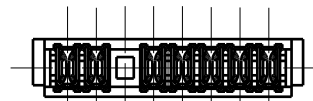
3

2

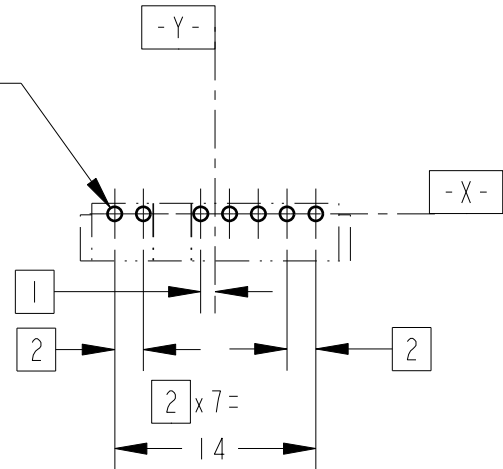
1

THIS DRAWING IS UNPUBLISHED. RELEASED FOR PUBLICATION 20
© COPYRIGHT 20 BY TYCO ELECTRONICS CORPORATION. ALL RIGHTS RESERVED.

LOC	DIST	REVISIONS			
P	LTR	DESCRIPTION	DATE	DWN	APVD
ES	-	A	RELEASED	04JUL05	T.K T.K
		A3	REVISED PER ECR-09-000157	08JAN2009	S.W S.Y
		B	REVISED PER ECR-09-020441	01SEP2009	S.W S.Y



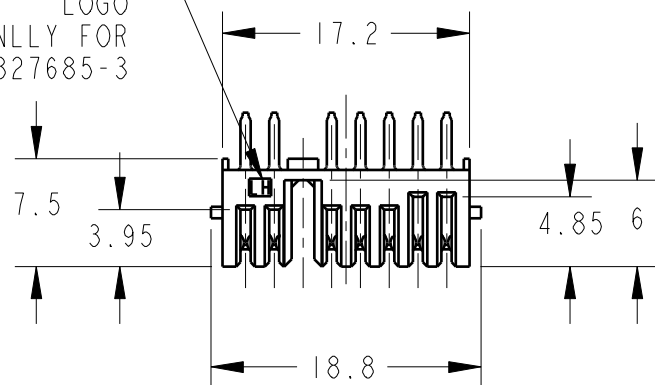
7-R0.5^{+0.10}_{-0.05}
 $\varnothing 0.1$ X Y



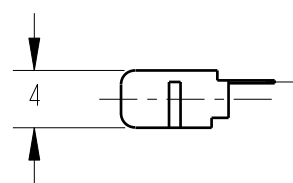
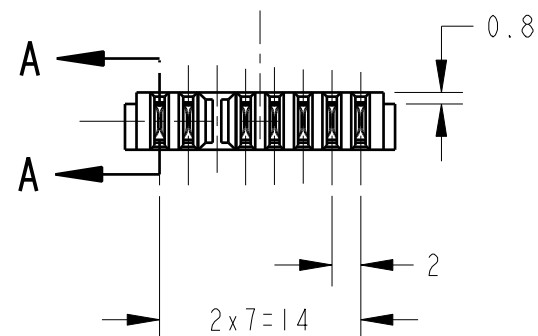
1 MATERIAL
 CONTACT COPPER ALLOY
 HOUSING THERMOPLASTIC RESIN, UL94V-0BLACK

2 FINISH
 CONTACT NICKEL ALL OVER UNDER PLATING,
 GOLD PLATING AT CONTACT AREA,
 TIN PLATING AT LEAD AREA,

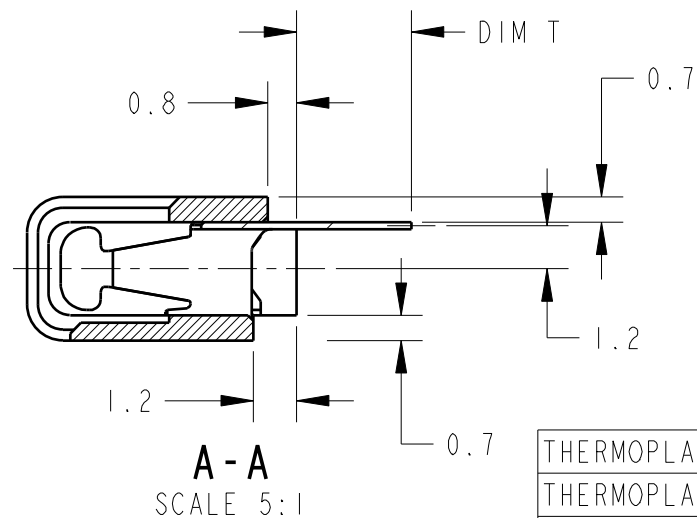
HALOGEN FREE
 LOGO
 ONLY FOR
 1827685-3



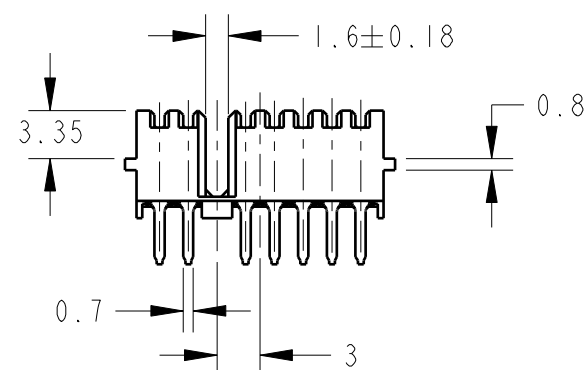
REFERENCE P.C BOARD LAYOUT
 P.C BOARD THK. 0.8 1.2
 (VIEW FROM CONNECTOR MOUNTING SIDE)



DIP TYPE



THERMOPLASTIC RESIN(HALOGEN FREE)	2.20	1827685-4
THERMOPLASTIC RESIN(HALOGEN FREE)	3.20	1827685-3
THERMOPLASTIC RESIN	2.20	1827685-2
THERMOPLASTIC RESIN	3.20	1827685-1
HOUSING MATERIAL	DIM T	P/N



<small>THIS DRAWING IS A CONTROLLED DOCUMENT FOR TYCO ELECTRONICS CORPORATION IT IS SUBJECT TO CHANGE AND THE CONTROLLING ENGINEERING ORGANIZATION SHOULD BE CONTACTED FOR THE LATEST REVISION.</small>		DWN T. KATANO 04JUL05 CHK T. KIMURA 04JUL05 APVD T. KIMURA 04JUL05	Tyco Electronics Tyco Electronics Corporation Shanghai, P.R.China, 200233			
DIMENSIONS: mm 	TOLERANCES UNLESS OTHERWISE SPECIFIED: ± 0.3 0 PLC ± 1 PLC ±0.1 2 PLC ±0.01 3 PLC ±0.001 4 PLC ±0.0001 ANGLES ±3	PRODUCT SPEC 108-78292 APPLICATION SPEC -	NAME RECEPTACLE ASSEMBLY 7POS. REVERSE TYPE 2mm PITCH BATTERY CONNECTOR			
MATERIAL	FINISH	WEIGHT	SIZE	CAGE CODE	DRAWING NO	RESTRICTED TO
1	2		A3	00779	1827685	-
CUSTOMER DRAWING			SCALE 2:1	SHEET 1 OF 2	REV B	

4

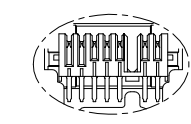
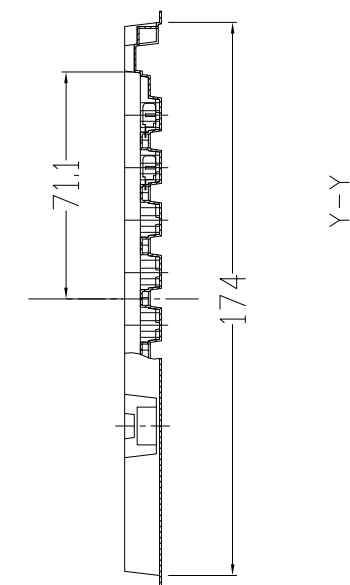
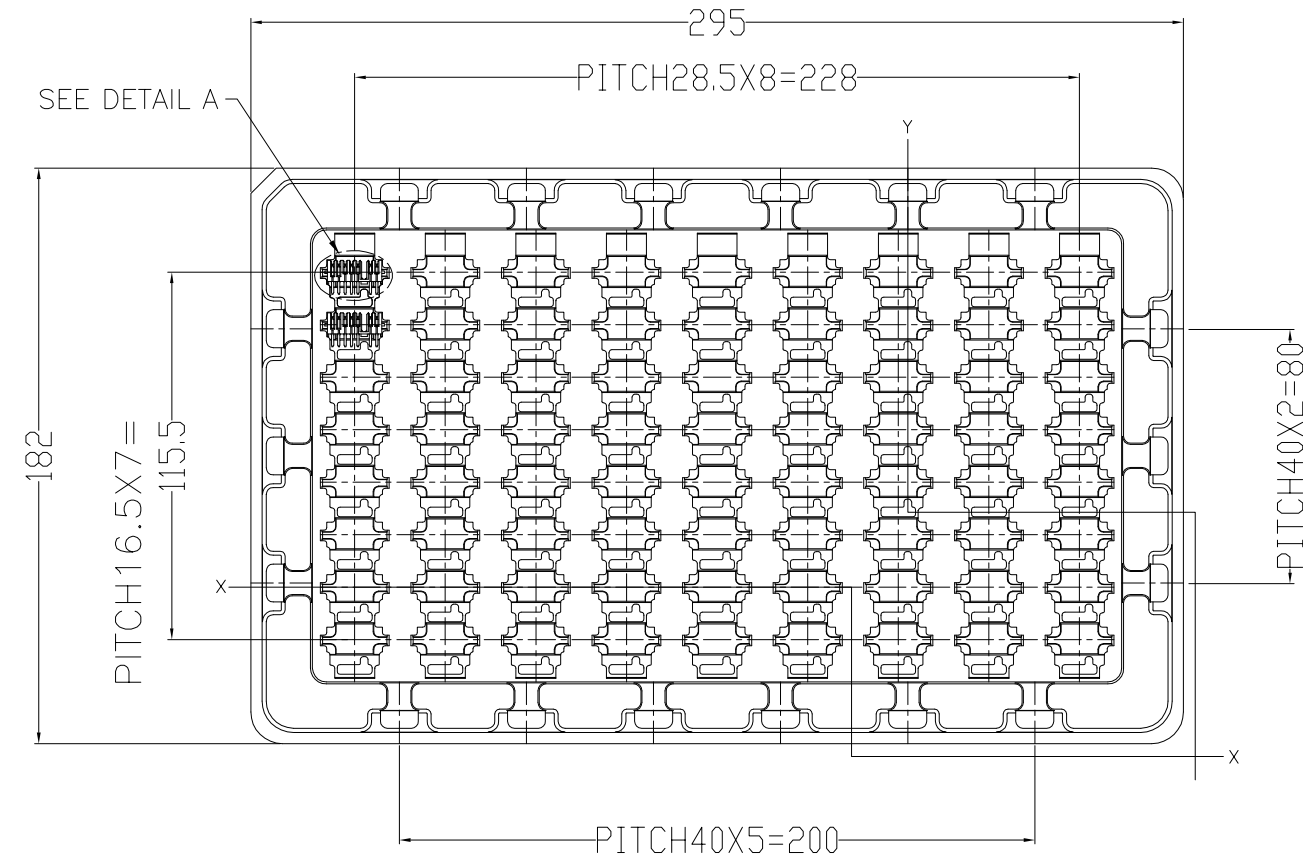
3

2

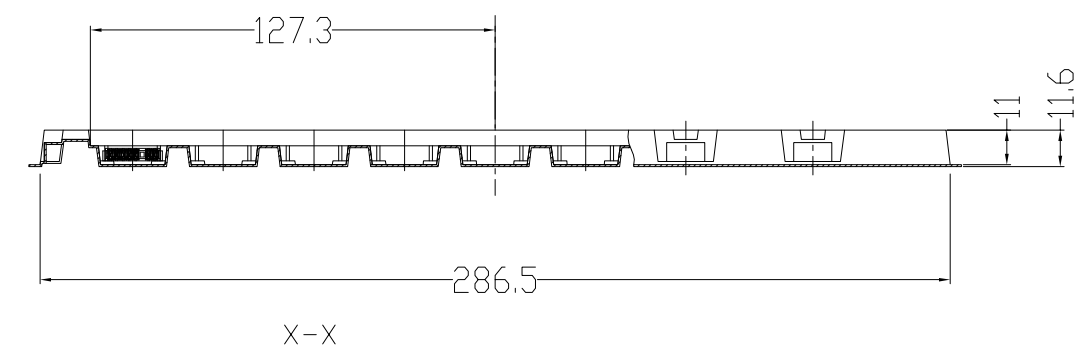
1

THIS DRAWING IS UNPUBLISHED. RELEASED FOR PUBLICATION 20
 © COPYRIGHT 20 BY TYCO ELECTRONICS CORPORATION. ALL RIGHTS RESERVED.

LOC	DIST	REVISIONS			
P	LTR	DESCRIPTION	DATE	DWN	APVD
ES	-	SEE SHEET 1	-	-	-



DETAIL A
SCALE 1:1



1. 72PCS/TRAY

<small>THIS DRAWING IS A CONTROLLED DOCUMENT FOR TYCO ELECTRONICS CORPORATION IT IS SUBJECT TO CHANGE AND THE CONTROLLING ENGINEERING ORGANIZATION SHOULD BE CONTACTED FOR THE LATEST REVISION.</small>		DWN T.KATANO 04JUL05 CHK T.KIMURA 04JUL05 APVD T.KIMURA 04JUL05	Tyco Electronics Corporation Shanghai P.R.CHINA 200233
DIMENSIONS: mm	TOLERANCES UNLESS OTHERWISE SPECIFIED: ± 0.3 0-PLC ± 1-PLC ±0.1 2-PLC ±0.01 3-PLC ±0.001 4-PLC ±0.0001 ANGLES ±3	PRODUCT SPEC 108-78292 APPLICATION SPEC - WEIGHT -	NAME RECEPTACLE ASSEMBLY 7POS. REVERSE TYPE 2mm PITCH BATTERY CONNECTOR SIZE A3 CAGE CODE 00779 DRAWING NO C=1827685 RESTRICTED TO -
MATERIAL - 	FINISH -	CUSTOMER DRAWING	SCALE 2:1 SHEET 2 OF 2 REV B