



Chipsmall Limited consists of a professional team with an average of over 10 year of expertise in the distribution of electronic components. Based in Hongkong, we have already established firm and mutual-benefit business relationships with customers from,Europe,America and south Asia,supplying obsolete and hard-to-find components to meet their specific needs.

With the principle of “Quality Parts,Customers Priority,Honest Operation,and Considerate Service”,our business mainly focus on the distribution of electronic components. Line cards we deal with include Microchip,ALPS,ROHM,Xilinx,Pulse,ON,Everlight and Freescale. Main products comprise IC,Modules,Potentiometer,IC Socket,Relay,Connector.Our parts cover such applications as commercial,industrial, and automotives areas.

We are looking forward to setting up business relationship with you and hope to provide you with the best service and solution. Let us make a better world for our industry!



## Contact us

Tel: +86-755-8981 8866 Fax: +86-755-8427 6832

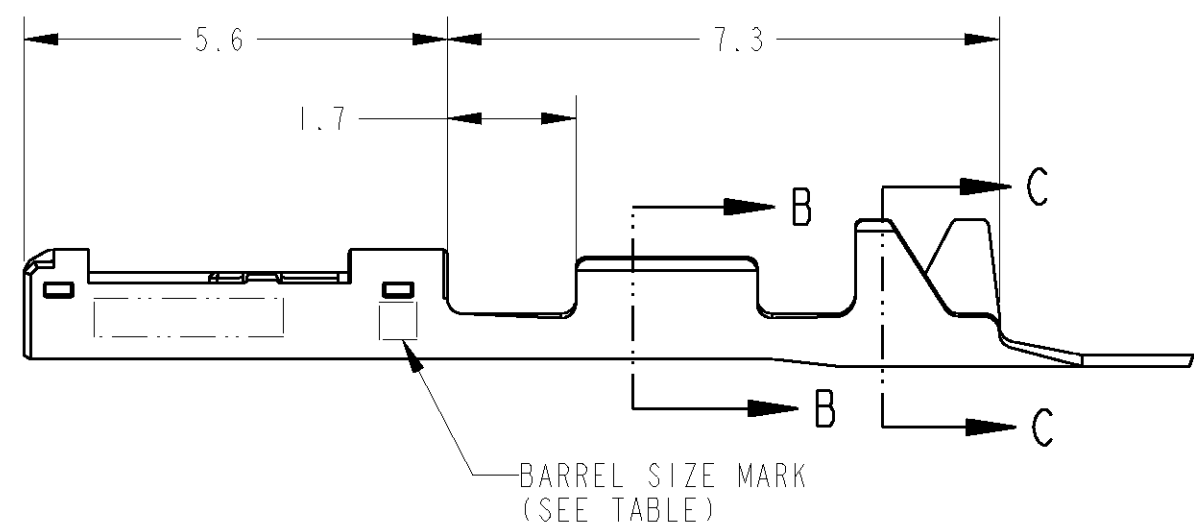
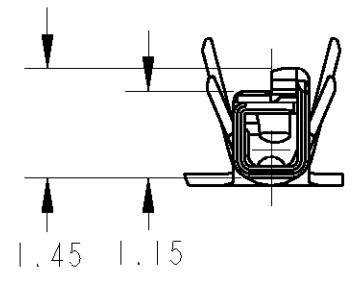
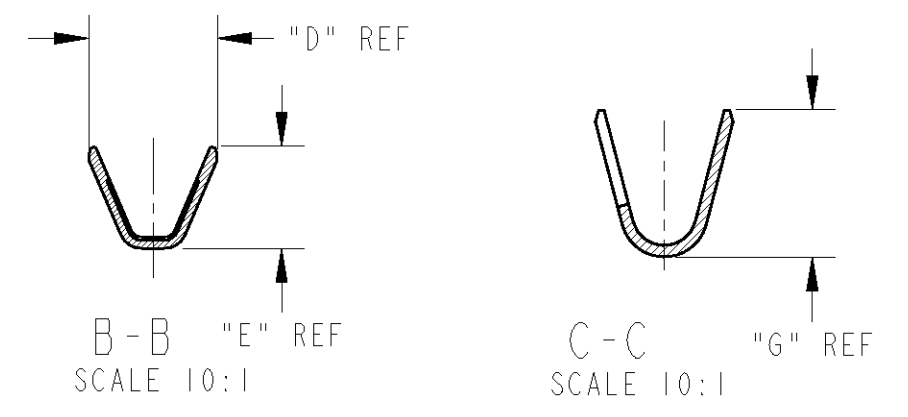
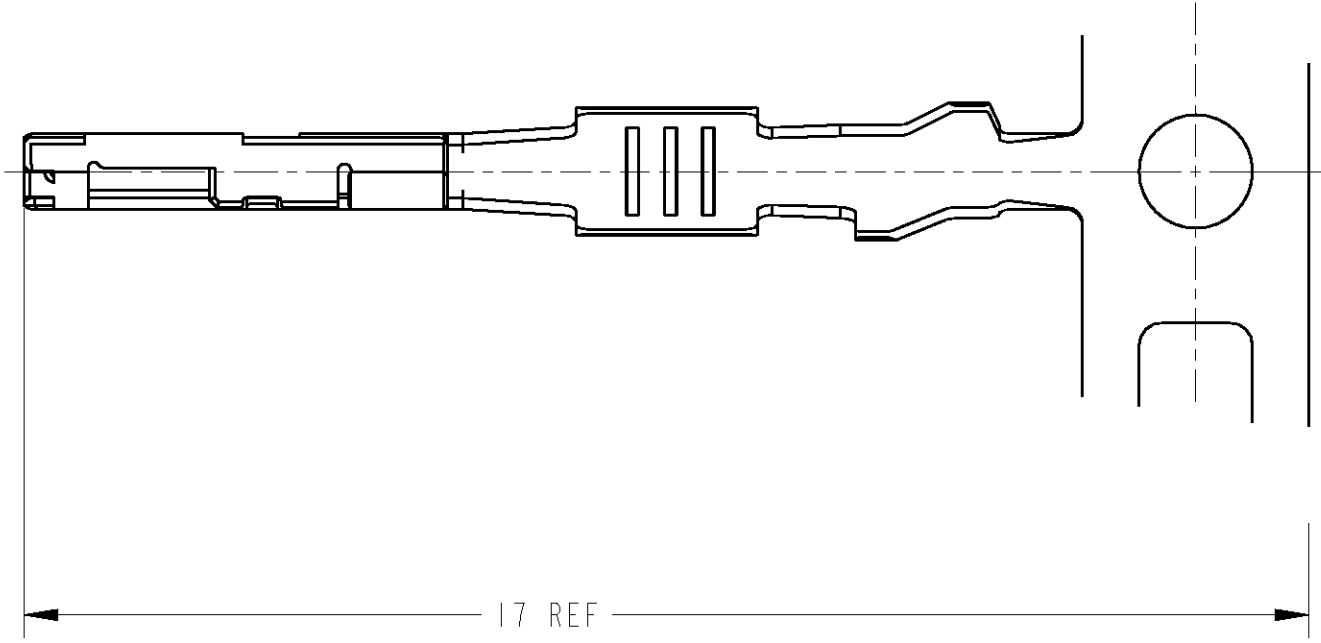
Email & Skype: info@chipsmall.com Web: www.chipsmall.com

Address: A1208, Overseas Decoration Building, #122 Zhenhua RD., Futian, Shenzhen, China



THIS DRAWING IS UNPUBLISHED. RELEASED FOR PUBLICATION 20  
 © COPYRIGHT 20 BY TYCO ELECTRONICS CORPORATION. ALL RIGHTS RESERVED.

LOC	DIST	REVISIONS						
		P	LTR	DESCRIPTION	DATE	DWN	APVD	
J	-	A		RELEASED	ECR-08-017654	22JUL08	YS	HY



1. 適用電線; CHFUS 0.13~0.5mm<sup>2</sup>
  2. 圧着作業については、下記の規格を参照すること  
取付適用規格; 114-5379
  3. アプリケータ送りピッチ; 7mm
- 
1. APPLICABLE WIRE RANGE; CHFUS 0.13~0.5mm<sup>2</sup>
  2. MUST BE REFERRED TO THE FOLLOWING DOCUMENTS FOR CRIMPING OPERATION  
APPLICATION SPEC; 114-5379
  3. APPLICATOR FEED; 7mm

	∅0.85~0.95	0.13mm <sup>2</sup>	1.74	1.82	1.26	1.7	S	0.50 REC (S)	1827855-4
	∅1.3~1.5	0.22~0.35mm <sup>2</sup>	2.45	2.1	1.35	1.7	C	0.50 REC (C)	1827855-3
	∅1.1~1.4	0.35~0.5mm <sup>2</sup>	2.45	2.1	1.7	1.8	L	0.50 REC (L)	1827855-2
1903365-1	∅0.95~1.2	0.22~0.35mm <sup>2</sup>	1.95	1.82	1.35	1.7	M	0.50 REC (M)	1827855-1
LOOSE PIECE	INS RANGE	WIRE RANGE	G	F	E	D	BARREL SIZE MARK	NAME	PART NO

THIS DRAWING IS A CONTROLLED DOCUMENT FOR TYCO ELECTRONICS CORPORATION. IT IS SUBJECT TO CHANGE AND THE CONTROLLING ENGINEERING ORGANIZATION SHOULD BE CONTACTED FOR THE LATEST REVISION.

DIMENSIONS: 単位: 毫 mm	TOLERANCES UNLESS OTHERWISE SPECIFIED: 一般公差 ±0.3 0-PLC ± 1-PLC ±0.3 2-PLC ±0.10 3-PLC ±0.001 4-PLC ±0.001 ANGLES ±3'00"	DWN Y. SUEMITSU 25APR05 CHK K. SAKAMAKI 25APR05 APVD S. ISOHATA 25APR05	Tyco Electronics AMP K.K. Kawasaki, Japan
MATERIAL 材料 COPPER ALLOY	FINISH 仕上 PRE-TIN	PRODUCT SPEC 108-78208 APPLICATION SPEC 114-5379 WEIGHT 0.1 g	
		CUSTOMER DRAWING	SIZE A3 CAGE CODE 00779 DRAWING NO 1827855 RESTRICTED TO - SCALE 10:1 SHEET 1 OF 1 REV A