



Chipsmall Limited consists of a professional team with an average of over 10 year of expertise in the distribution of electronic components. Based in Hongkong, we have already established firm and mutual-benefit business relationships with customers from,Europe,America and south Asia,supplying obsolete and hard-to-find components to meet their specific needs.

With the principle of “Quality Parts,Customers Priority,Honest Operation,and Considerate Service”,our business mainly focus on the distribution of electronic components. Line cards we deal with include Microchip,ALPS,ROHM,Xilinx,Pulse,ON,Everlight and Freescale. Main products comprise IC,Modules,Potentiometer,IC Socket,Relay,Connector.Our parts cover such applications as commercial,industrial, and automotives areas.

We are looking forward to setting up business relationship with you and hope to provide you with the best service and solution. Let us make a better world for our industry!



## Contact us

Tel: +86-755-8981 8866 Fax: +86-755-8427 6832

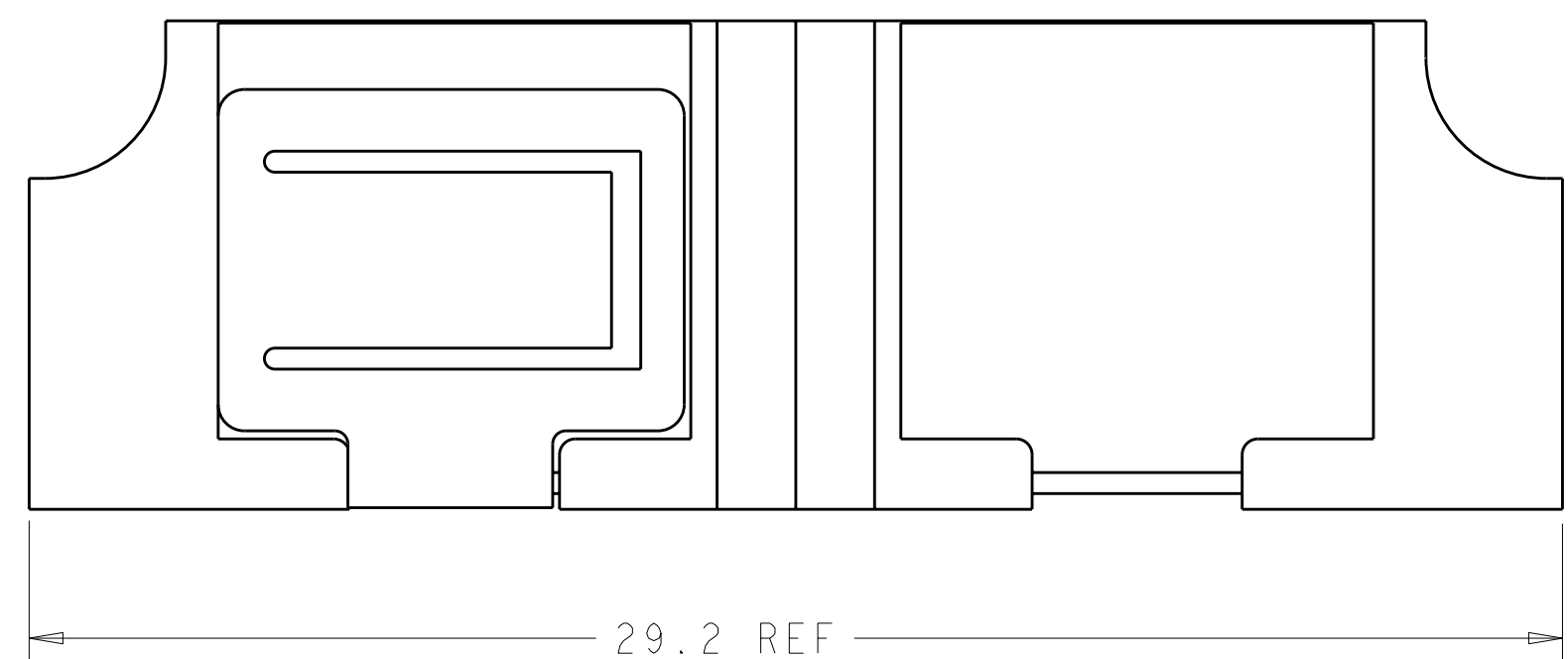
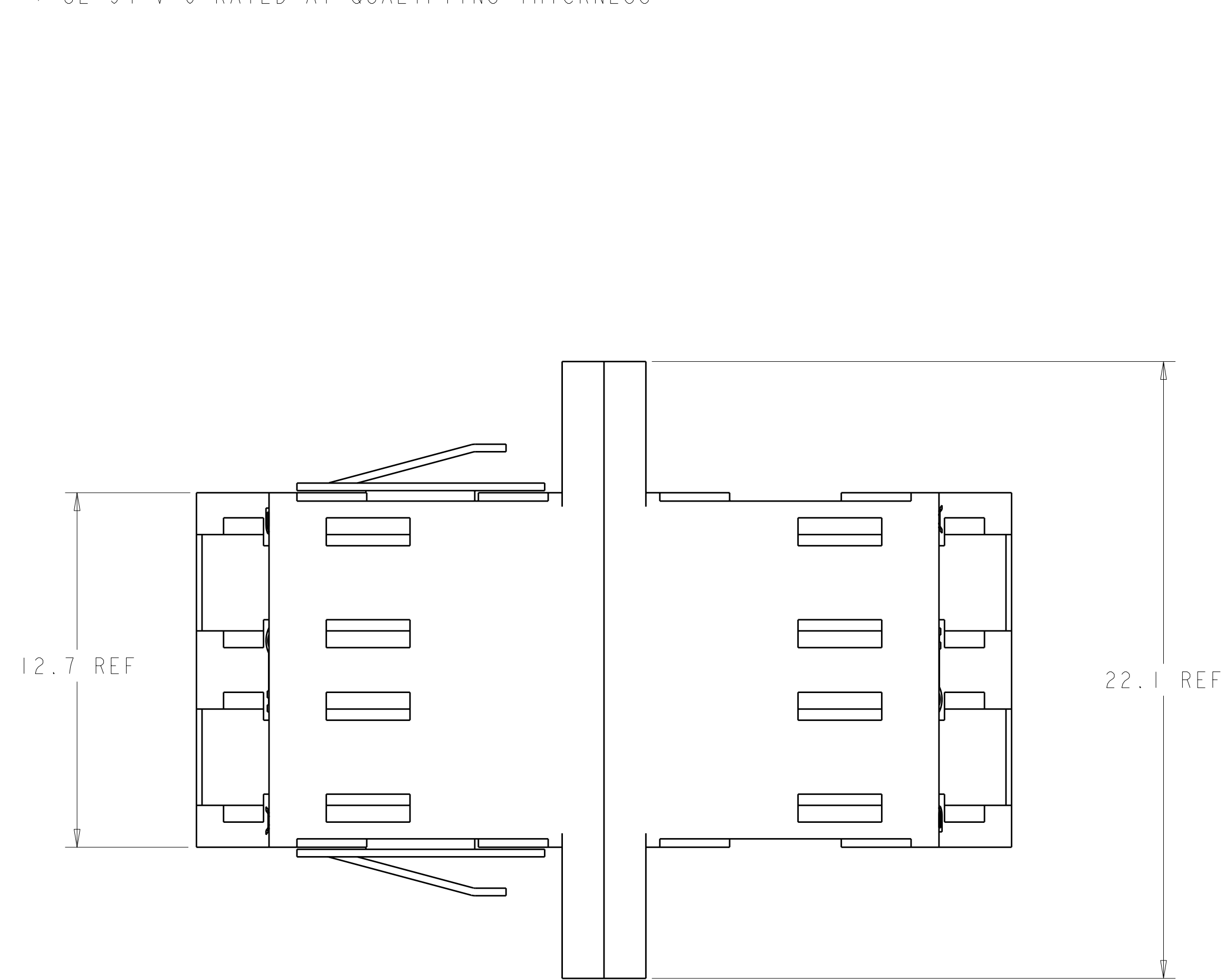
Email & Skype: info@chipsmall.com Web: www.chipsmall.com

Address: A1208, Overseas Decoration Building, #122 Zhenhua RD., Futian, Shenzhen, China

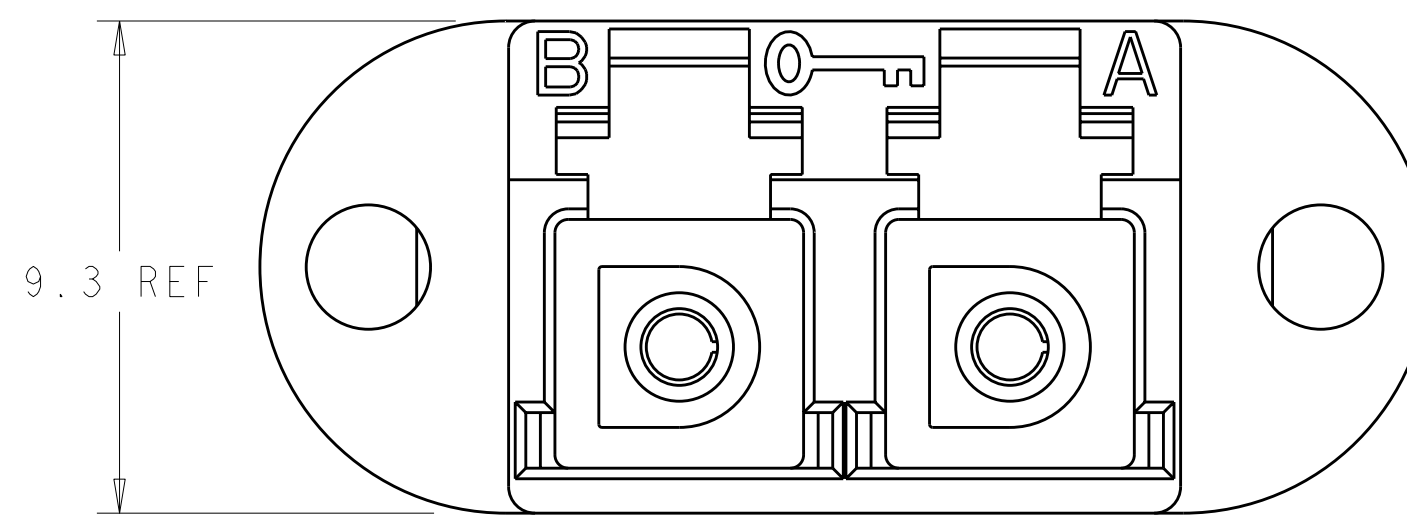


LOC	DIST	REVISIONS			
P	LTB	DESCRIPTION	DATE	DWN	APVD
B		ECO-06-025929	22NOV2006	ESM	DHR

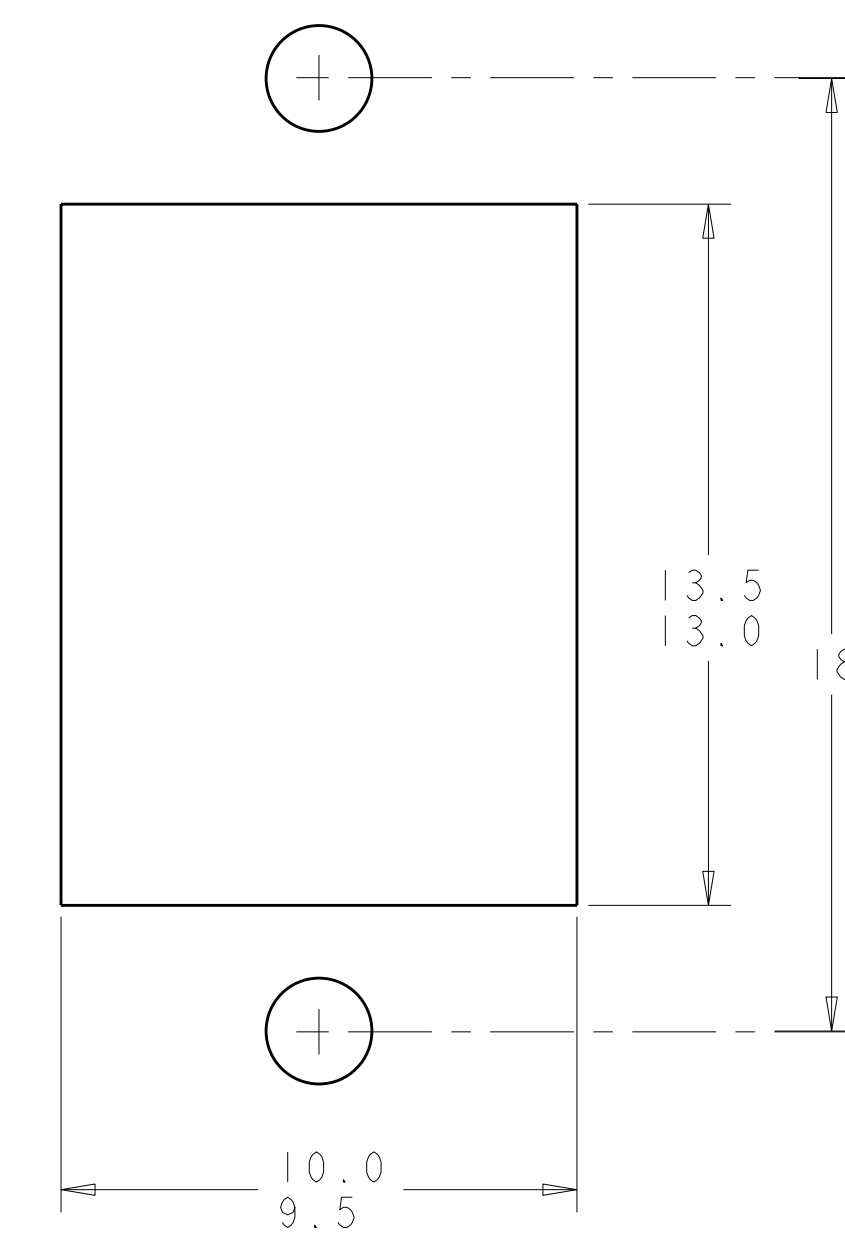
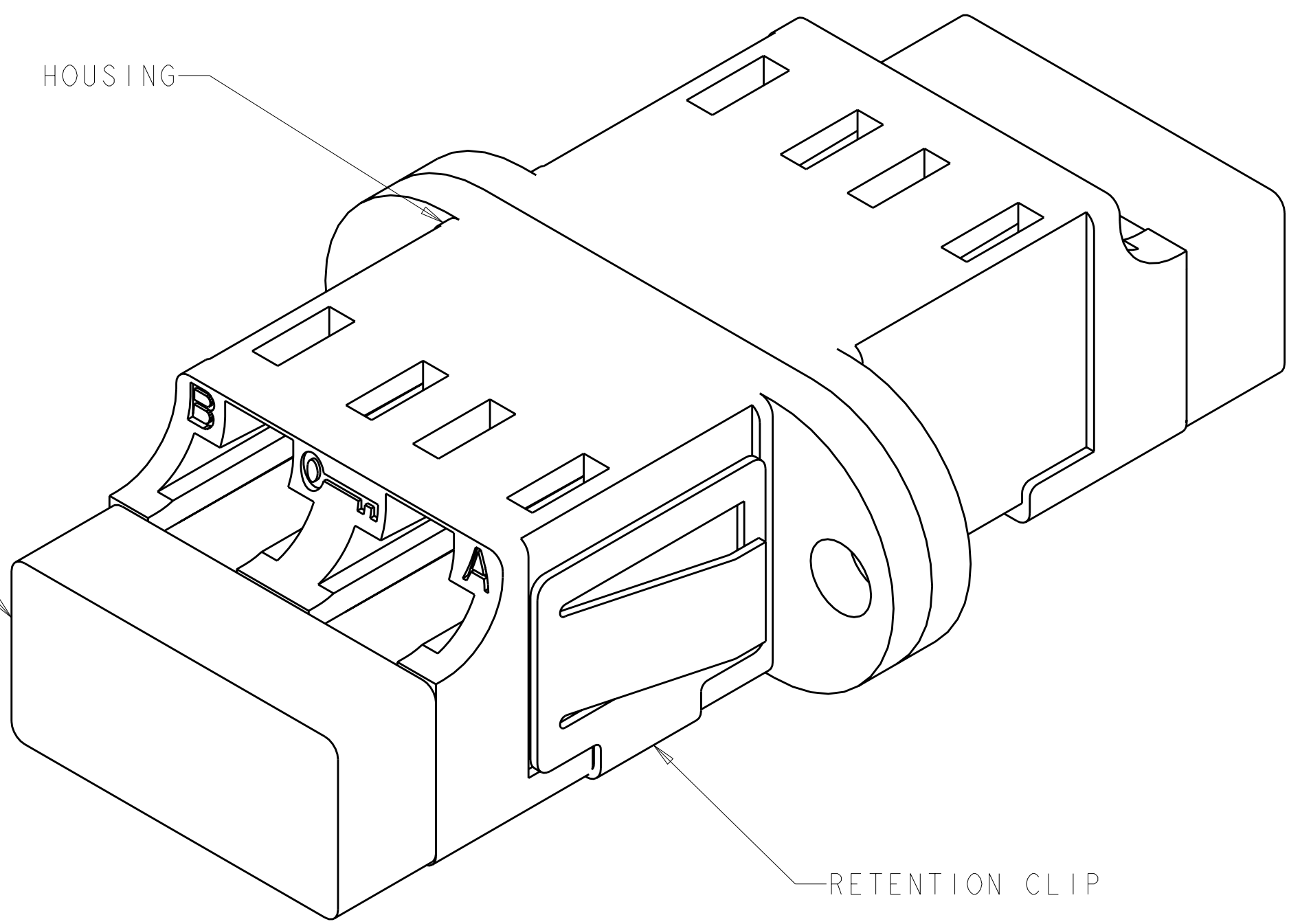
△ MATERIAL:  
 HOUSINGS: THERMOPLASTIC, PPE-PS\*  
 ALIGNMENT SLEEVES: CERAMIC  
 PROTECTIVE COVERS: THERMOPLASTIC ELASTOMER\*  
 RETENTION CLIP: SST  
 \* UL 94 V-0 RATED AT QUALIFYING THICKNESS



PROTECTIVE COVERS  
 NOT SHOWN



(RED - I SHOWN)

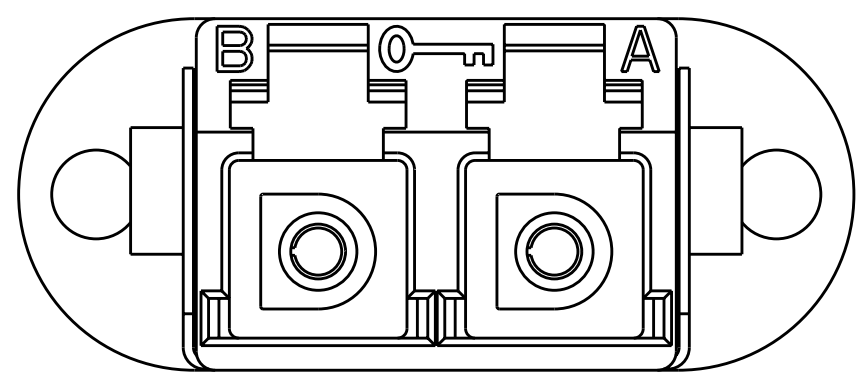


RECOMMENDED PANEL CUTOUT  
 MAX PANEL THK. 1.7

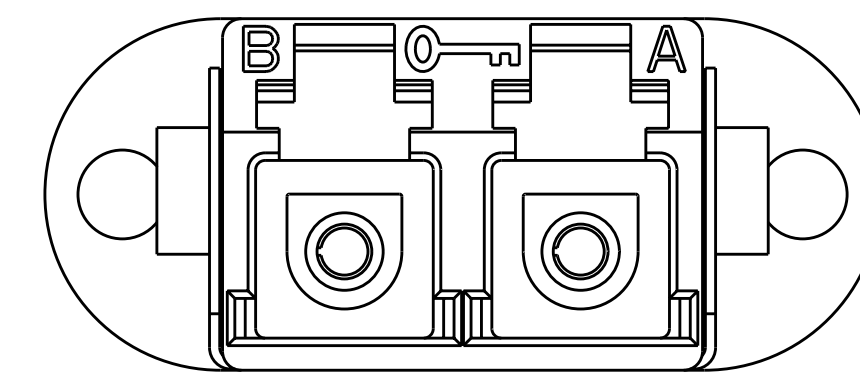
SLATE	I-1828073-0
ORANGE	1828073-9
VIOLET	1828073-8
BROWN	1828073-7
AQUA	1828073-6
ROSE	1828073-5
BLUE	1828073-4
GREEN	1828073-3
YELLOW	1828073-2
RED	1828073-1
HOUSING COLOR	PART NO.

<small>THIS DRAWING IS UNPUBLISHED. RELEASED FOR PUBLICATION BY TYCO ELECTRONICS CORPORATION. ALL RIGHTS RESERVED.</small>		DWN: E. HOPKINS 04AUG2005 CHK: D. ERDMAN 04AUG2005 APVD: D. BAECHTLE 04AUG2005	<b>tyco</b> Electronics Tyco Electronics Harrisburg, PA 17105-3608
DIMENSIONS: mm TOLERANCES UNLESS OTHERWISE SPECIFIED: 0 PLC ± 1 PLC ± 2 PLC ± 3 PLC ± 4 PLC ± ANGLES ± MATERIAL: △ FINISH: -		NAME: LC SECURE ADAPTER ASSEMBLY, FLANGED PRODUCT SPEC: - APPLICATION SPEC: - WEIGHT: - CUSTOMER DRAWING	SIZE: A1 CAGE CODE: 100779 DRAWING NO: C-1828073 RESTRICTED TO: - SCALE: 4:1 SHEET: 1 OF 2 REV: B

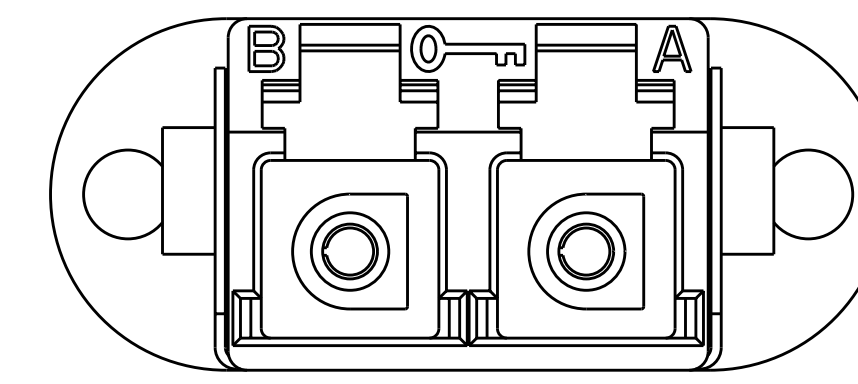
LOC	DIST	REVISIONS					
		P	LTB	DESCRIPTION	DATE	DWN	APVD
CE	00	-	-	SEE SHEET 1	-	-	-



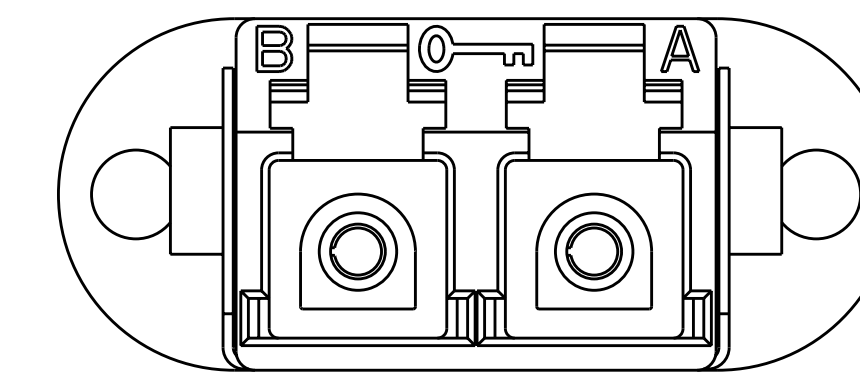
1828073-1  
RED



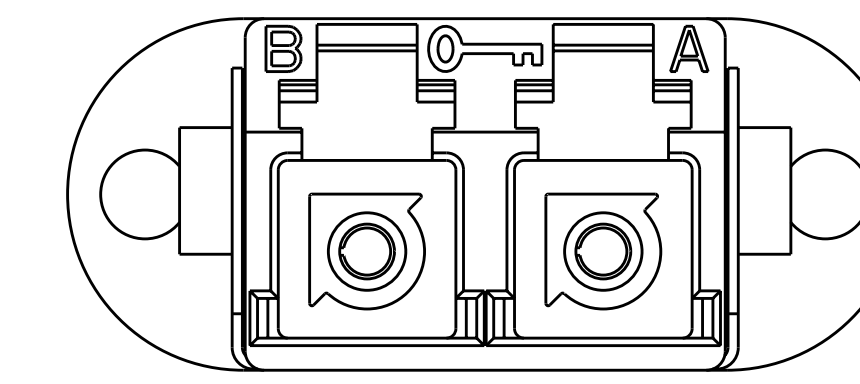
1828073-2  
YELLOW



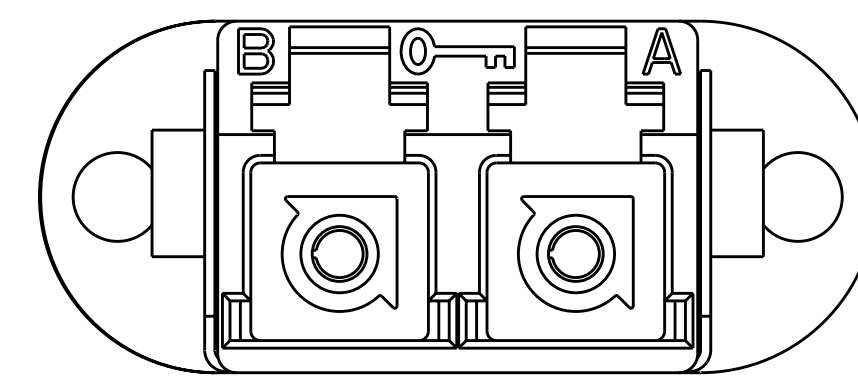
1828073-3  
GREEN



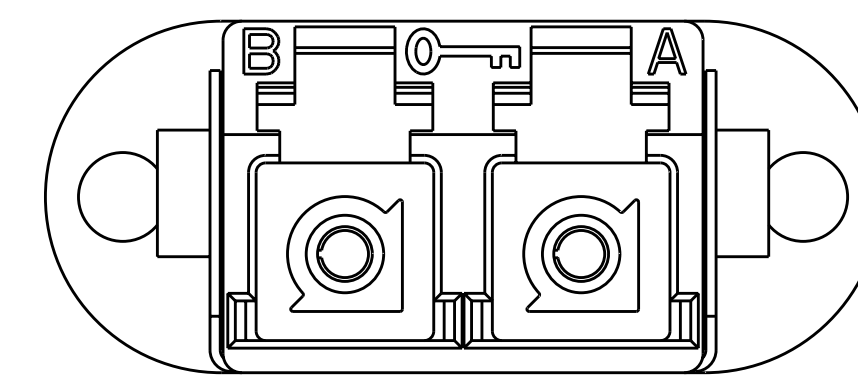
1828073-4  
BLUE



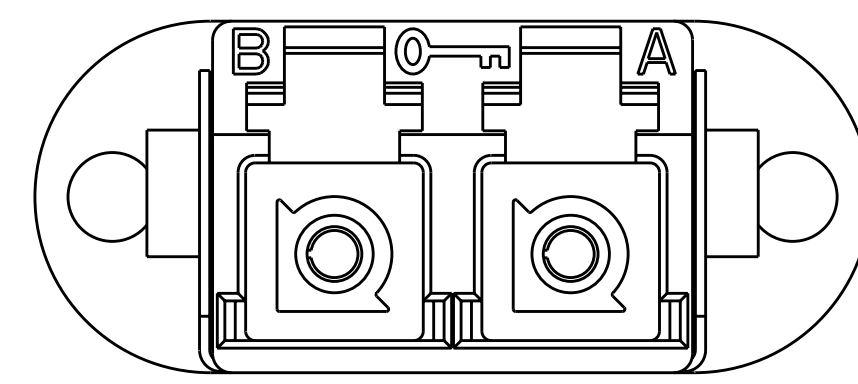
1828073-5  
ROSE



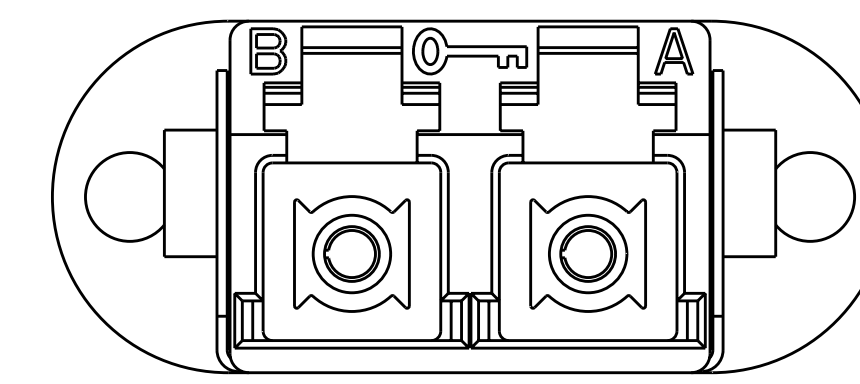
1828073-6  
AQUA



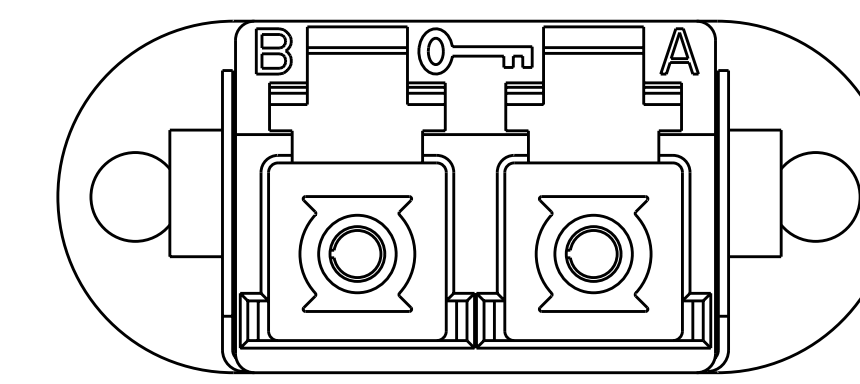
1828073-7  
BROWN



1828073-8  
VIOLET



1828073-9  
ORANGE



1-1828073-0  
SLATE

<small>THIS DRAWING IS UNPUBLISHED. RELEASED FOR PUBLICATION. ALL RIGHTS RESERVED. THIS DRAWING IS THE PROPERTY OF TYCO ELECTRONICS CORPORATION. IT IS SUBJECT TO CHANGE WITHOUT NOTICE AND WITHOUT OBLIGATION. SHOULD BE CONTACTED FOR THE LATEST REVISION.</small>		DWN E. HOPKINS 04AUG2005 CHK D. ERDMAN 04AUG2005 APVD D. BAECHTLE 04AUG2005	<b>tyco</b> Tyco Electronics <b>Electronics</b> Harrisburg, PA 17105-3608
DIMENSIONS: mm 	TOLERANCES UNLESS OTHERWISE SPECIFIED: 0 PLC ± 1 PLC ± 2 PLC ± 3 PLC ± 4 PLC ± ANGLES ± FINISH	NAME PRODUCT SPEC APPLICATION SPEC WEIGHT CUSTOMER DRAWING	LC SECURE ADAPTER ASSEMBLY, FLANGED SIZE CAGE CODE DRAWING NO A100779C-1828073 SCALE 5:1 SHEET 2 OF 2 REV B