



Chipsmall Limited consists of a professional team with an average of over 10 year of expertise in the distribution of electronic components. Based in Hongkong, we have already established firm and mutual-benefit business relationships with customers from,Europe,America and south Asia,supplying obsolete and hard-to-find components to meet their specific needs.

With the principle of “Quality Parts,Customers Priority,Honest Operation,and Considerate Service”,our business mainly focus on the distribution of electronic components. Line cards we deal with include Microchip,ALPS,ROHM,Xilinx,Pulse,ON,Everlight and Freescale. Main products comprise IC,Modules,Potentiometer,IC Socket,Relay,Connector.Our parts cover such applications as commercial,industrial, and automotives areas.

We are looking forward to setting up business relationship with you and hope to provide you with the best service and solution. Let us make a better world for our industry!



Contact us

Tel: +86-755-8981 8866 Fax: +86-755-8427 6832

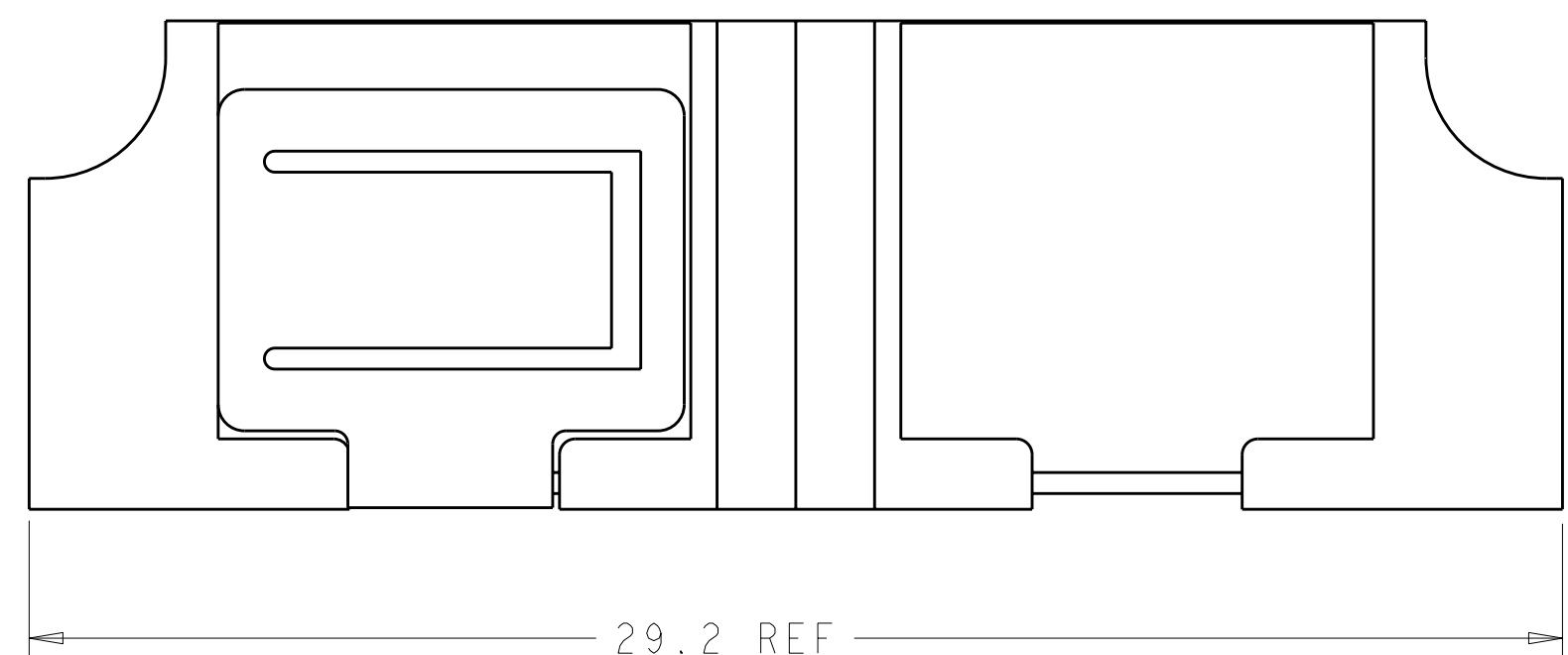
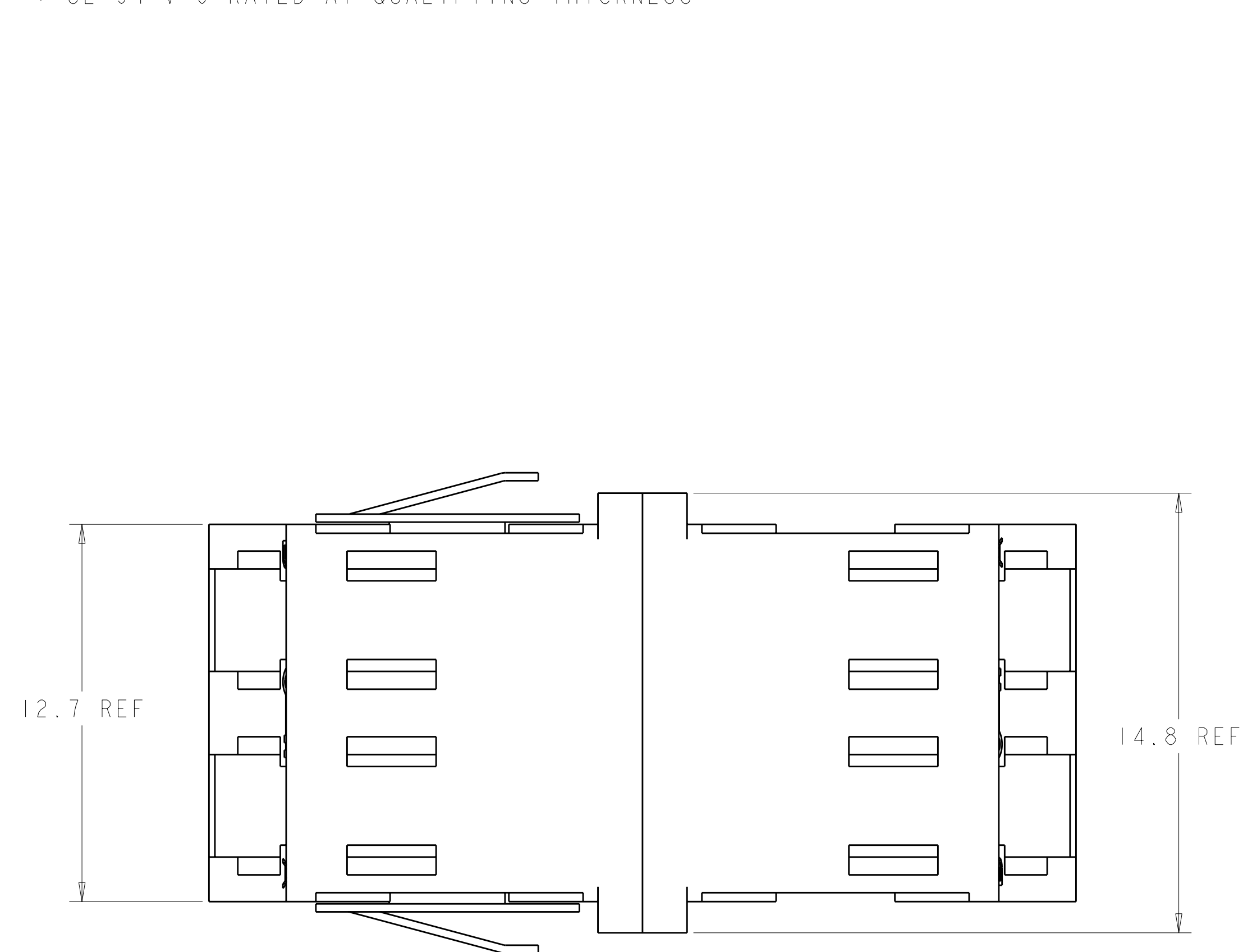
Email & Skype: info@chipsmall.com Web: www.chipsmall.com

Address: A1208, Overseas Decoration Building, #122 Zhenhua RD., Futian, Shenzhen, China

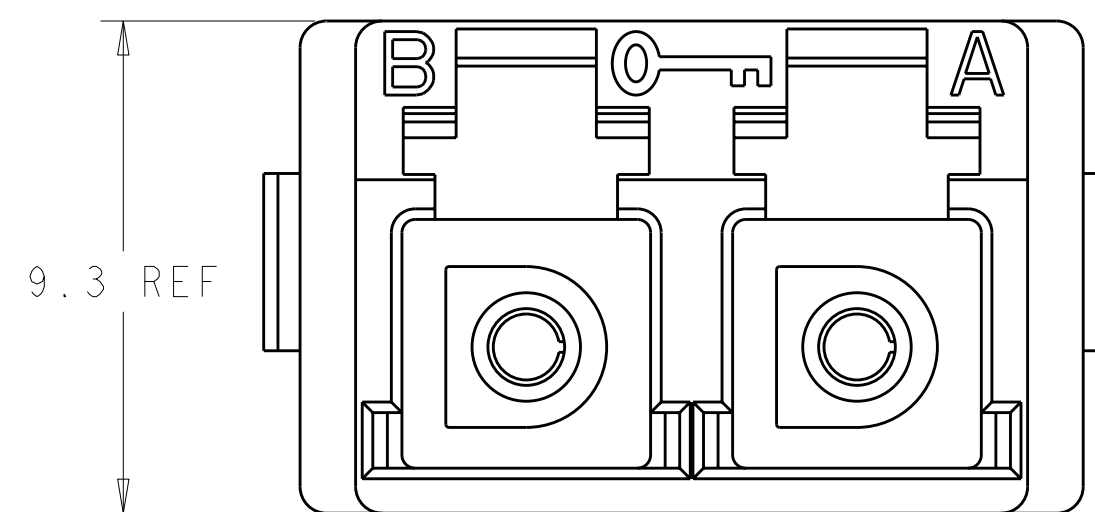


LOC	DIST	REVISIONS			
REV	DATE	DESCRIPTION	DATE	DWN	APVD
CE	00				
B1		REVISED PER ECO-11-005027	16MAY2011	RK	HMR

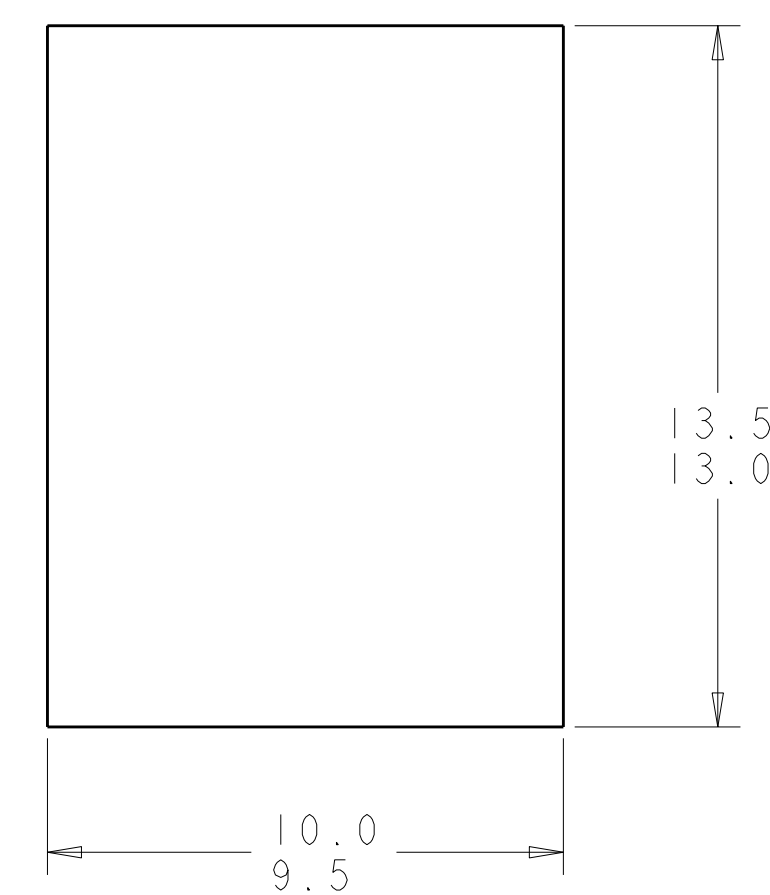
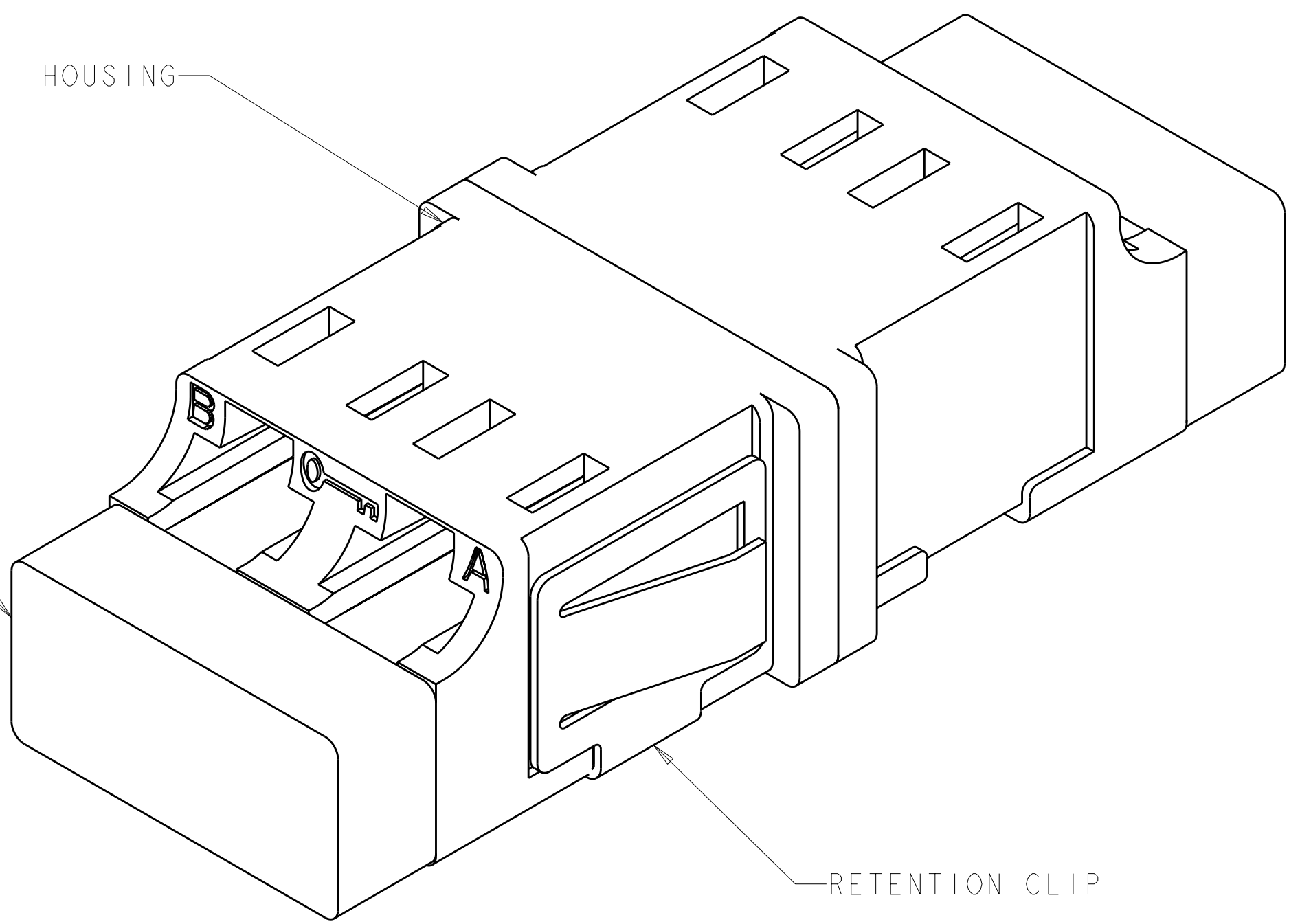
▲ MATERIAL:
 HOUSINGS: THERMOPLASTIC, PPE-PS*
 ALIGNMENT SLEEVES: CERAMIC
 PROTECTIVE COVERS: THERMOPLASTIC ELASTOMER*
 RETENTION CLIP: SST
 * UL 94 V-0 RATED AT QUALIFYING THICKNESS



PROTECTIVE COVERS
NOT SHOWN



(RED -1 SHOWN)



RECOMMENDED PANEL CUTOUT
MAX PANEL THK. 1.7

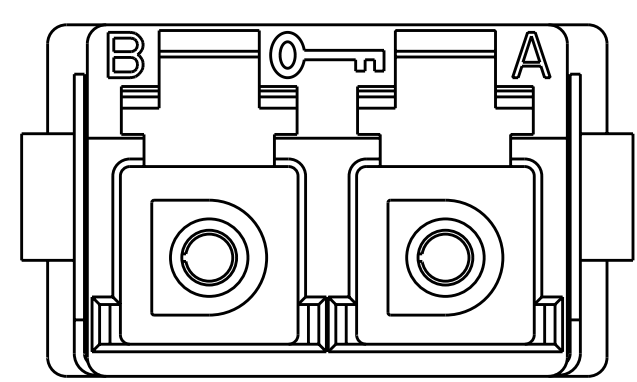
SLATE	I-1828074-0
ORANGE	1828074-9
VIOLET	1828074-8
BROWN	1828074-7
AQUA	1828074-6
ROSE	1828074-5
BLUE	1828074-4
GREEN	1828074-3
YELLOW	1828074-2
RED	1828074-1
HOUSING COLOR	PART NO.

THIS DRAWING IS A CONTROLLED DOCUMENT.		DWN	04AUG2005
DIMENSIONS:		E. HOPKINS	04AUG2005
TOLERANCES UNLESS OTHERWISE SPECIFIED:		CHK D. ERDMAN	04AUG2005
mm	0 PLC ±	APVD D. BAECHTLE	04AUG2005
	1 PLC ±	PRODUCT SPEC	
	2 PLC ±	APPLICATION SPEC	
	3 PLC ±	WEIGHT	
	4 PLC ±	CUSTOMER DRAWING	
	ANGLES ±		
MATERIAL	FINISH		

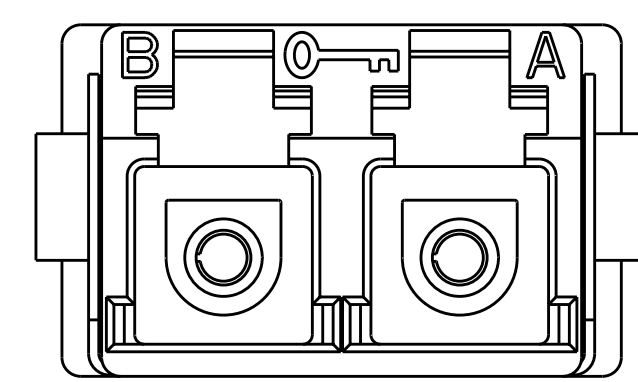
TE Connectivity	
NAME LC SECURE ADAPTER ASSEMBLY, FLANGELESS	
SIZE	A100779
CAGE CODE	C-1828074
DRAWING NO	1828074
RESTRICTED TO	
SCALE	4:1
SHEET	1 OF 2
REV	B1

THIS DRAWING IS UNPUBLISHED. RELEASED FOR PUBLICATION 20
 © COPYRIGHT 20 . . . ALL RIGHTS RESERVED.

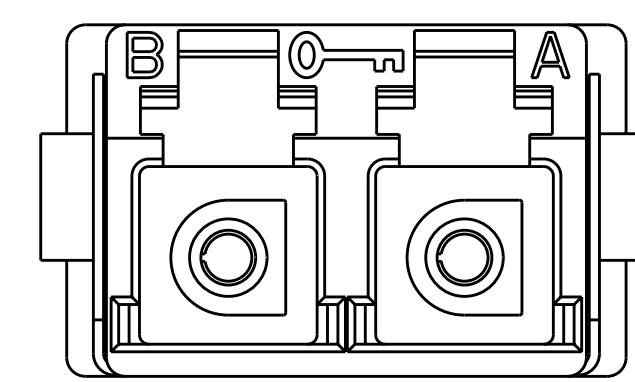
LOC	DIST	REVISIONS					
		P	LTN	DESCRIPTION	DATE	DWN	APVD
CE	00	-	-	SEE SHEET 1	-	-	-



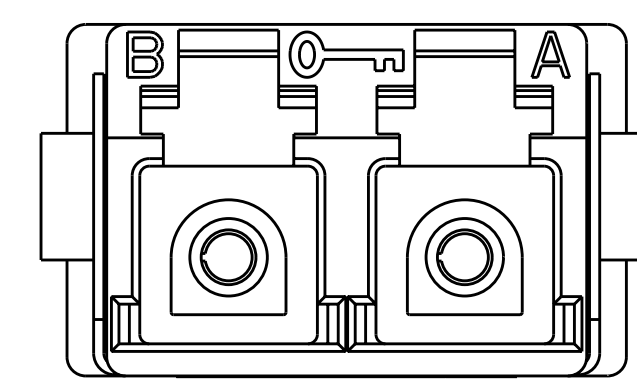
1828074-1
RED



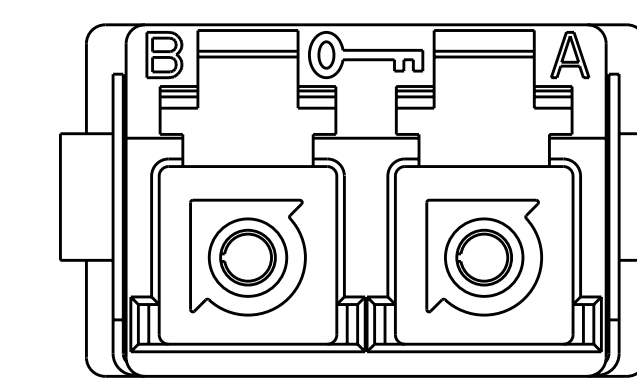
1828074-2
YELLOW



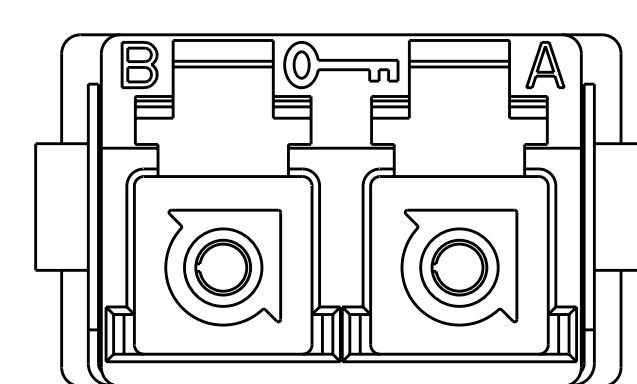
1828074-3
GREEN



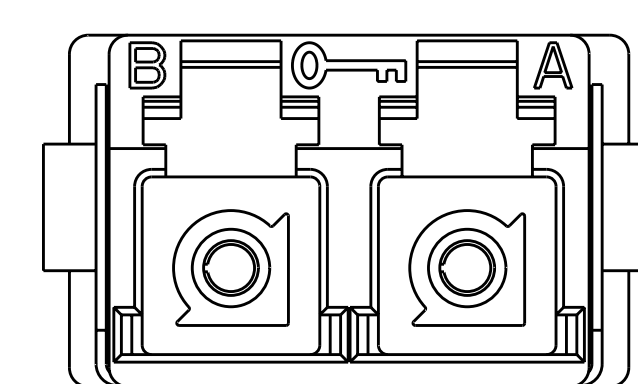
1828074-4
BLUE



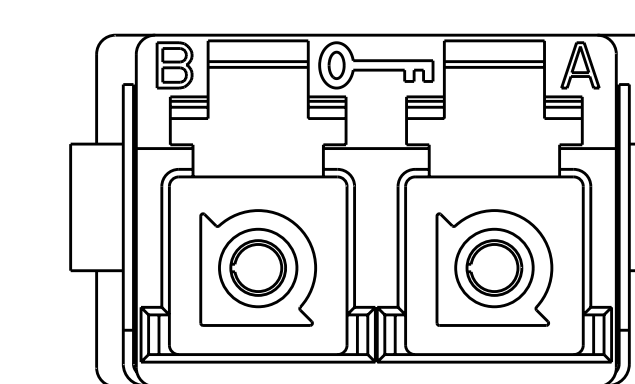
1828074-5
ROSE



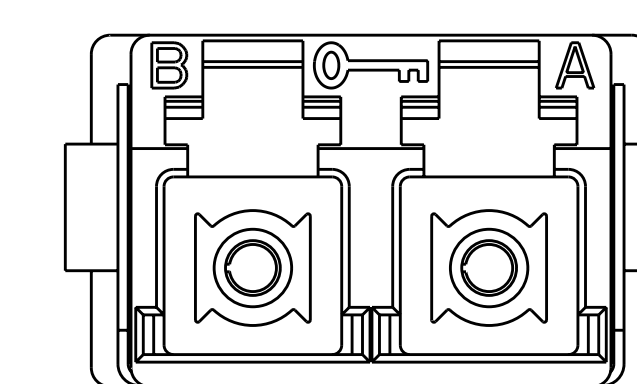
1828074-6
AQUA



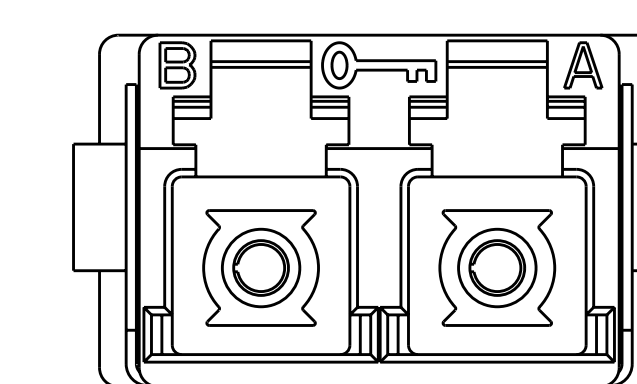
1828074-7
BROWN



1828074-8
VIOLET



1828074-9
ORANGE



1-1828074-0
SLATE

THIS DRAWING IS A CONTROLLED DOCUMENT.		DWN E. HOPKINS 04AUG2005															
DIMENSIONS: mm		CHK D. ERDMAN 04AUG2005															
TOLERANCES UNLESS OTHERWISE SPECIFIED:		APVD D. BAECHTLE 04AUG2005	NAME LC SECURE ADAPTER ASSEMBLY, FLANGELESS														
<table border="1"> <tr><td>0 PLC</td><td>±</td></tr> <tr><td>1 PLC</td><td>±</td></tr> <tr><td>2 PLC</td><td>±</td></tr> <tr><td>3 PLC</td><td>±</td></tr> <tr><td>4 PLC</td><td>±</td></tr> <tr><td>ANGLES</td><td>±</td></tr> <tr><td>FINISH</td><td>±</td></tr> </table>		0 PLC	±	1 PLC	±	2 PLC	±	3 PLC	±	4 PLC	±	ANGLES	±	FINISH	±	PRODUCT SPEC	RESTRICTED TO
0 PLC	±																
1 PLC	±																
2 PLC	±																
3 PLC	±																
4 PLC	±																
ANGLES	±																
FINISH	±																
MATERIAL		APPLICATION SPEC	SIZE CAGE CODE DRAWING NO														
		WEIGHT	A100779C=1828074														
		CUSTOMER DRAWING	SCALE 5:1 SHEET 2 OF 2 REV B1														