



Chipsmall Limited consists of a professional team with an average of over 10 year of expertise in the distribution of electronic components. Based in Hongkong, we have already established firm and mutual-benefit business relationships with customers from,Europe,America and south Asia,supplying obsolete and hard-to-find components to meet their specific needs.

With the principle of “Quality Parts,Customers Priority,Honest Operation,and Considerate Service”,our business mainly focus on the distribution of electronic components. Line cards we deal with include Microchip,ALPS,ROHM,Xilinx,Pulse,ON,Everlight and Freescale. Main products comprise IC,Modules,Potentiometer,IC Socket,Relay,Connector.Our parts cover such applications as commercial,industrial, and automotives areas.

We are looking forward to setting up business relationship with you and hope to provide you with the best service and solution. Let us make a better world for our industry!



Contact us

Tel: +86-755-8981 8866 Fax: +86-755-8427 6832

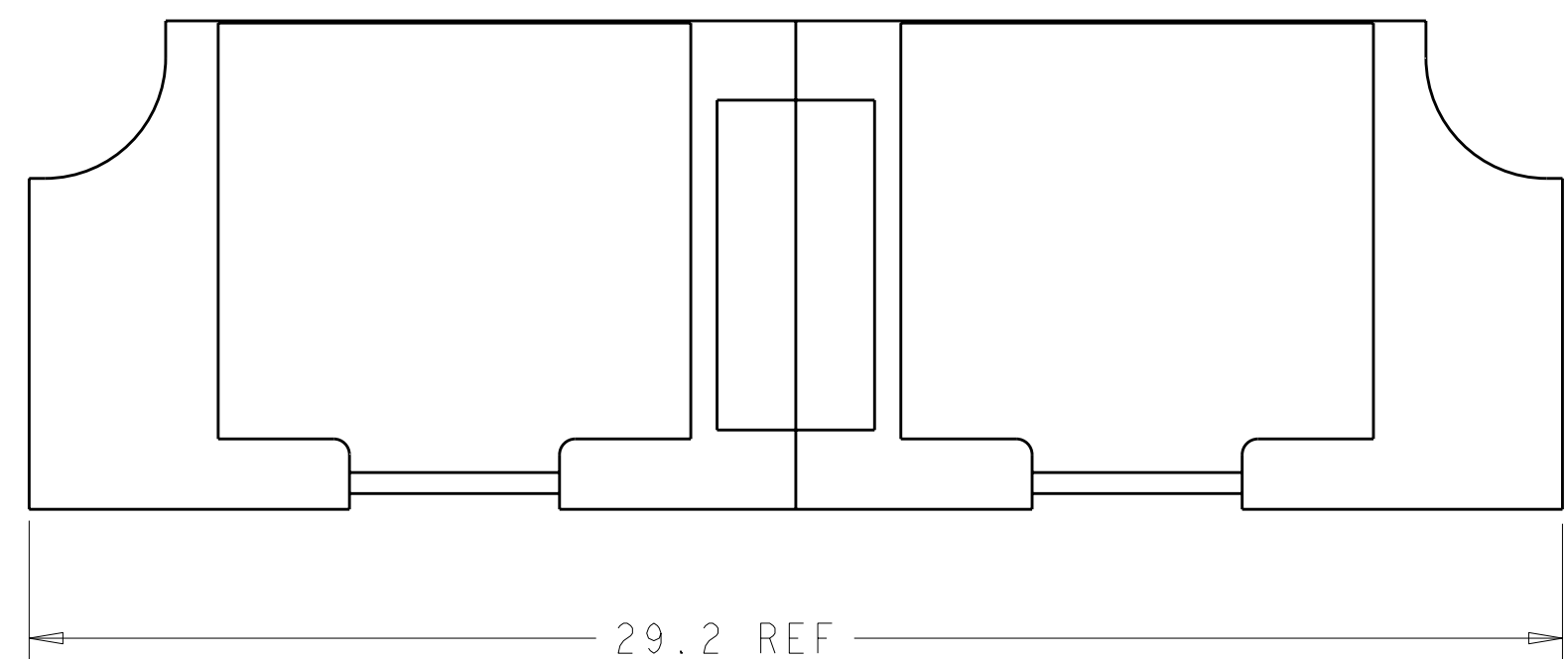
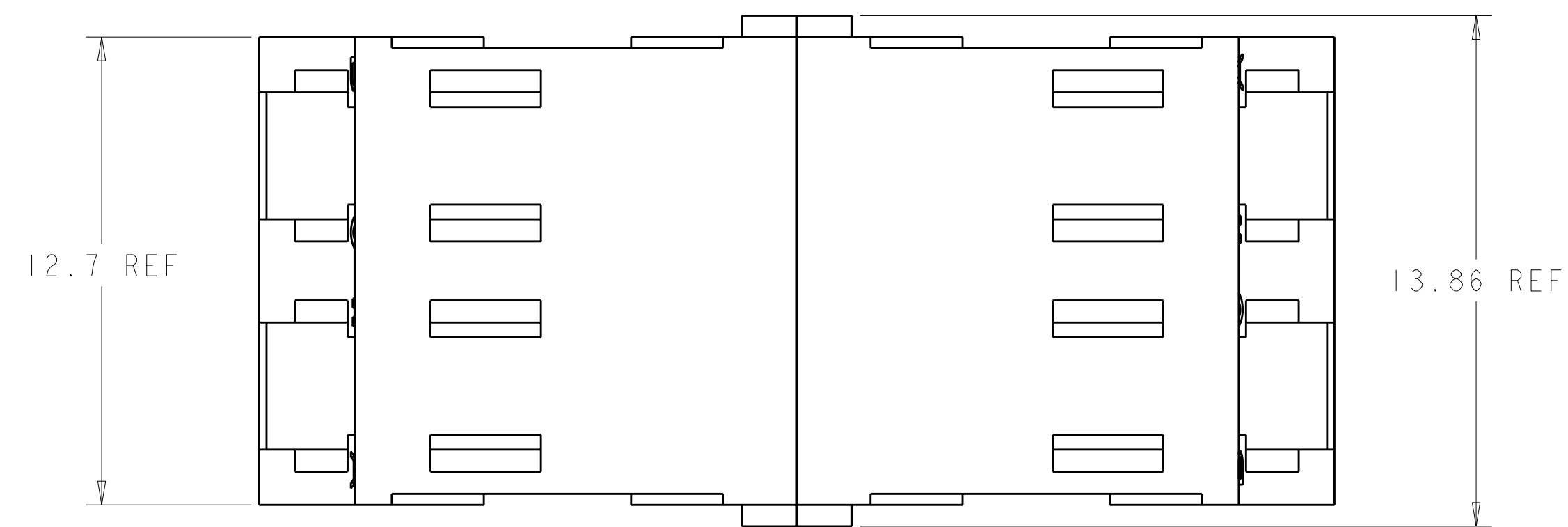
Email & Skype: info@chipsmall.com Web: www.chipsmall.com

Address: A1208, Overseas Decoration Building, #122 Zhenhua RD., Futian, Shenzhen, China

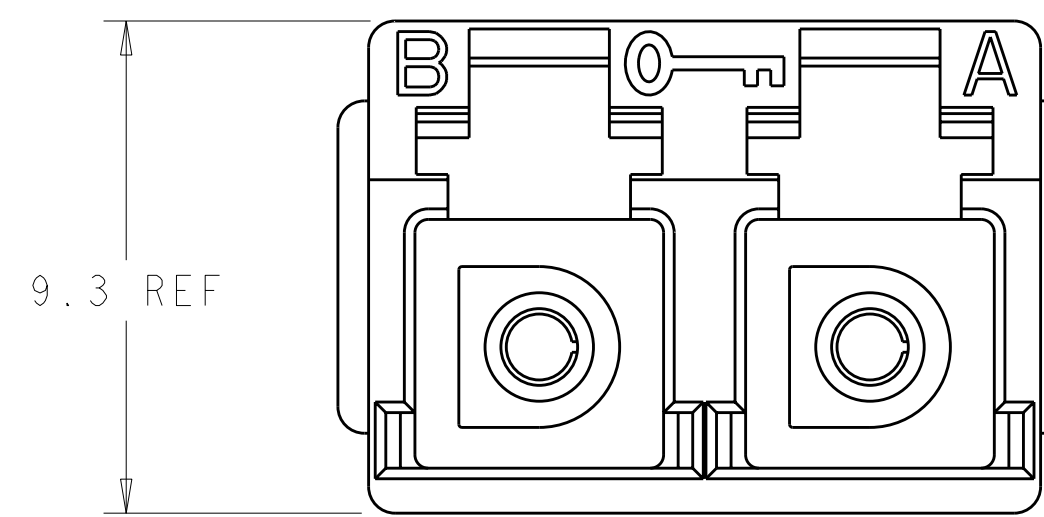


LOC	DIST	REVISIONS			
REV	LTN	DESCRIPTION	DATE	DWN	APVD
B		ECO-06-025929	22NOV2006	ESM	DHR

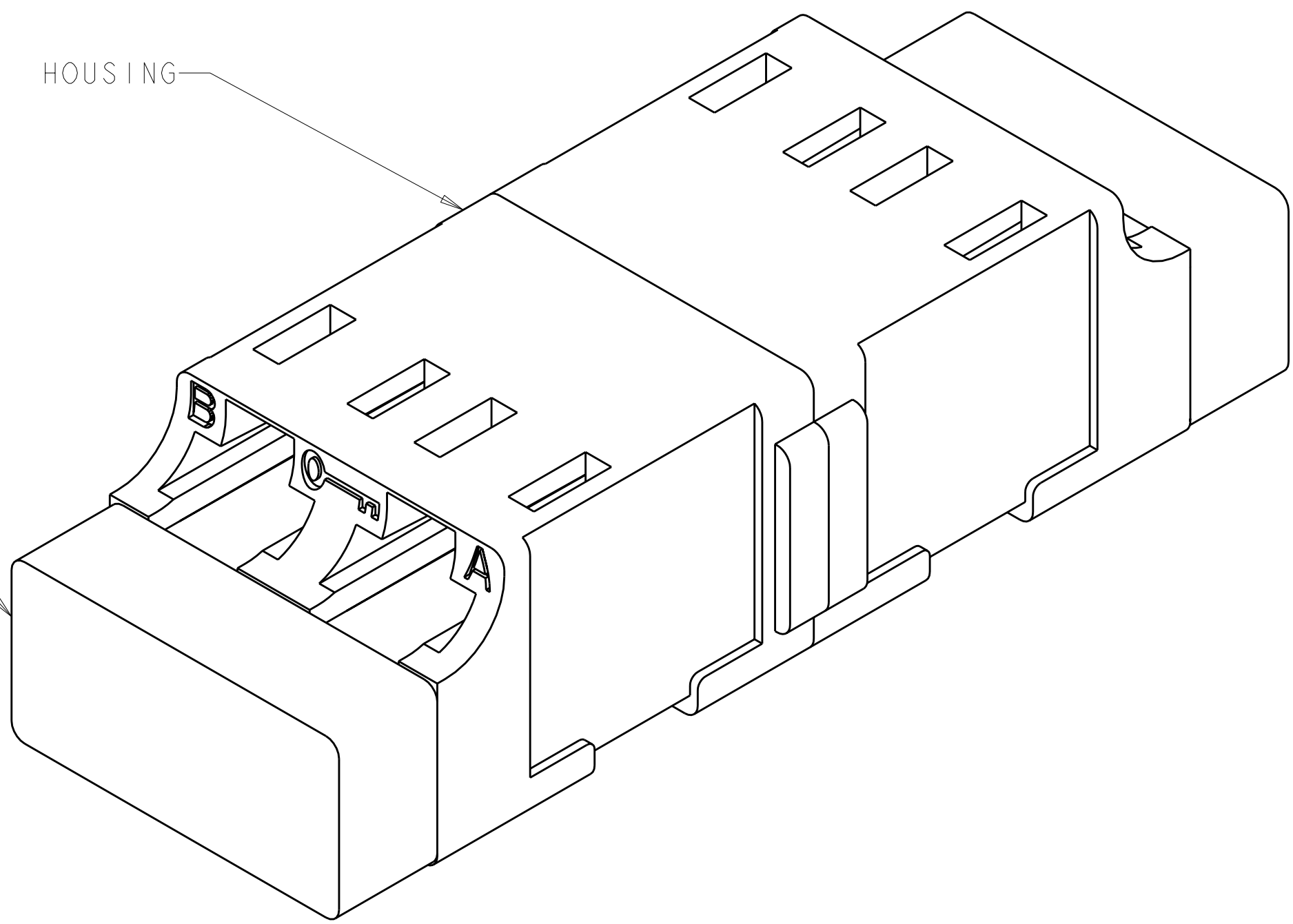
△ MATERIAL:
 HOUSINGS: THERMOPLASTIC, PPE-PS*
 ALIGNMENT SLEEVES: CERAMIC
 PROTECTIVE COVERS: THERMOPLASTIC ELASTOMER*
 * UL 94 V-0 RATED AT QUALIFYING THICKNESS
 2. MATES INTO SL 110 JACK HOUSING P/N 1435734-X.



PROTECTIVE COVERS
 NOT SHOWN



(RED - I SHOWN)

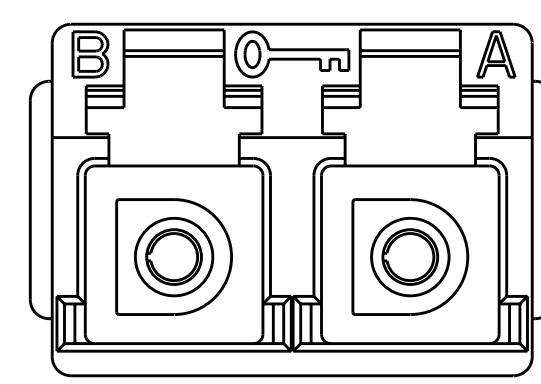


SLATE	I-1828075-0
ORANGE	1828075-9
VIOLET	1828075-8
BROWN	1828075-7
AQUA	1828075-6
ROSE	1828075-5
BLUE	1828075-4
GREEN	1828075-3
YELLOW	1828075-2
RED	1828075-1
HOUSING COLOR	PART NO.

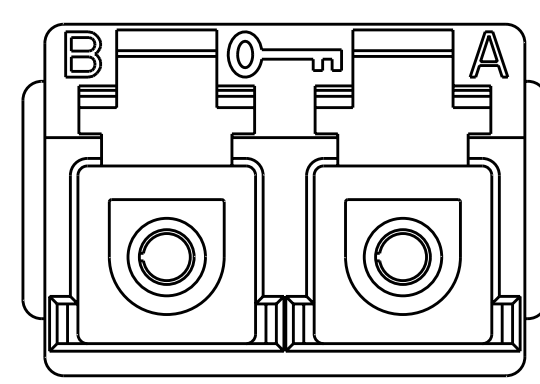
<small>THIS DRAWING IS UNPUBLISHED. RELEASED FOR PUBLICATION 2005. ALL RIGHTS RESERVED. THIS DRAWING IS UNPUBLISHED. RELEASED FOR PUBLICATION 2005. ALL RIGHTS RESERVED.</small>		DWN: E. HOPKINS 04AUG2005 CHK: D. ERDMAN 04AUG2005 APVD: D. BAECHTLE 04AUG2005	tyco Electronics Tyco Electronics Harrisburg, PA 17105-3608
DIMENSIONS: mm TOLERANCES UNLESS OTHERWISE SPECIFIED: 0 PLC ± 1 PLC ± 2 PLC ± 3 PLC ± 4 PLC ± ANGLES ± MATERIAL: △ FINISH: -		NAME: LC SECURE ADAPTER ASSEMBLY, SL FLANGE PRODUCT SPEC: - APPLICATION SPEC: - WEIGHT: - CUSTOMER DRAWING	SIZE: A CAGE CODE: 100779 DRAWING NO: C-1828075 RESTRICTED TO: - SCALE: 4:1 SHEET: 1 OF 2 REV: B

THIS DRAWING IS UNPUBLISHED. RELEASED FOR PUBLICATION 20
 © COPYRIGHT 20 BY TYCO ELECTRONICS CORPORATION. ALL RIGHTS RESERVED.

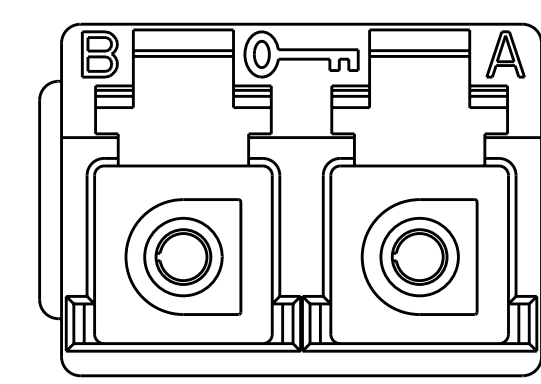
LOC	DIST	REV	DATE	DESCRIPTION	DATE	DWN	APVD
CE	00	-	-	SEE SHEET 1	-	-	-



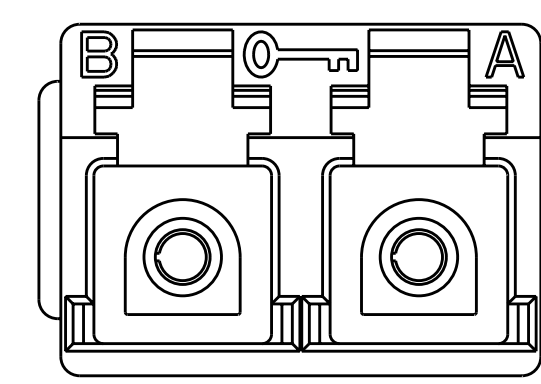
1828075-1
RED



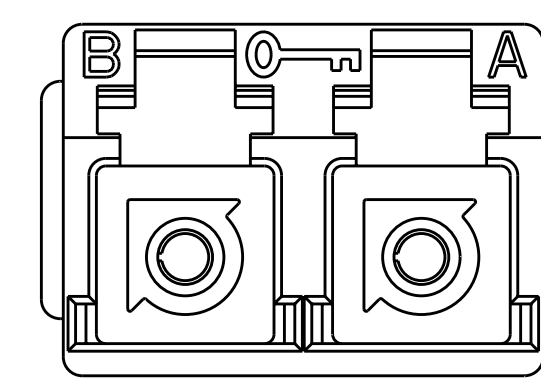
1828075-2
YELLOW



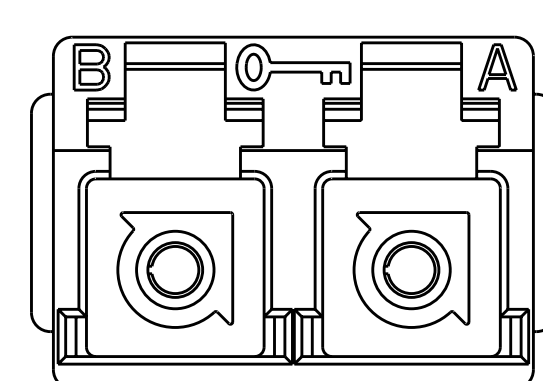
1828075-3
GREEN



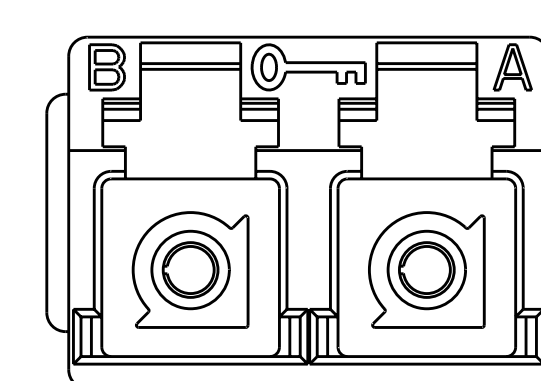
1828075-4
BLUE



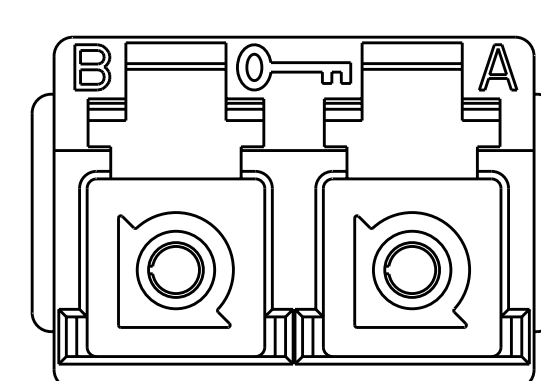
1828075-5
ROSE



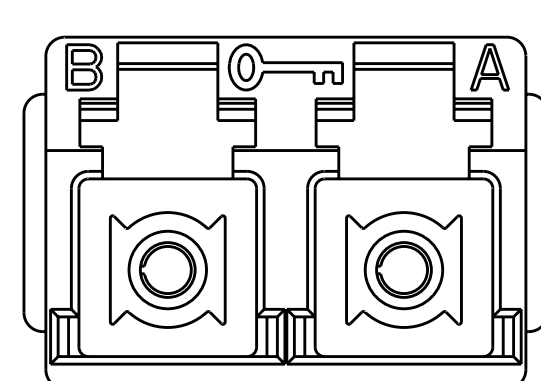
1828075-6
AQUA



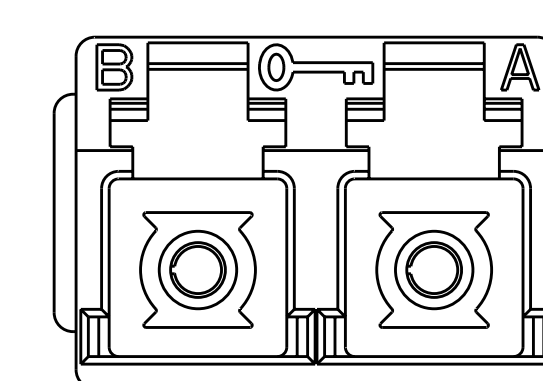
1828075-7
BROWN



1828075-8
VIOLET



1828075-9
ORANGE



1-1828075-0
SLATE

<small>THIS DRAWING IS UNPUBLISHED. RELEASED FOR PUBLICATION 20 © COPYRIGHT 20 BY TYCO ELECTRONICS CORPORATION. ALL RIGHTS RESERVED.</small>		DWN E. HOPKINS 04AUG2005 CHK D. ERDMAN 04AUG2005 APVD D. BAECHTLE 04AUG2005	tyco Tyco Electronics Electronics Harrisburg, PA 17105-3608
DIMENSIONS: mm 	TOLERANCES UNLESS OTHERWISE SPECIFIED: 0 PLC ± 1 PLC ± 2 PLC ± 3 PLC ± 4 PLC ± ANGLES ± FINISH	NAME PRODUCT SPEC APPLICATION SPEC WEIGHT CUSTOMER DRAWING	LC SECURE ADAPTER ASSEMBLY, SL FLANGE SIZE CAGE CODE DRAWING NO A100779C=1828075 SCALE 5:1 SHEET 2 OF 2 REV B