



Chipsmall Limited consists of a professional team with an average of over 10 year of expertise in the distribution of electronic components. Based in Hongkong, we have already established firm and mutual-benefit business relationships with customers from,Europe,America and south Asia,supplying obsolete and hard-to-find components to meet their specific needs.

With the principle of "Quality Parts,Customers Priority,Honest Operation,and Considerate Service",our business mainly focus on the distribution of electronic components. Line cards we deal with include Microchip,ALPS,ROHM,Xilinx,Pulse,ON,Everlight and Freescale. Main products comprise IC,Modules,Potentiometer,IC Socket,Relay,Connector.Our parts cover such applications as commercial,industrial, and automotives areas.

We are looking forward to setting up business relationship with you and hope to provide you with the best service and solution. Let us make a better world for our industry!



Contact us

Tel: +86-755-8981 8866 Fax: +86-755-8427 6832

Email & Skype: info@chipsmall.com Web: www.chipsmall.com

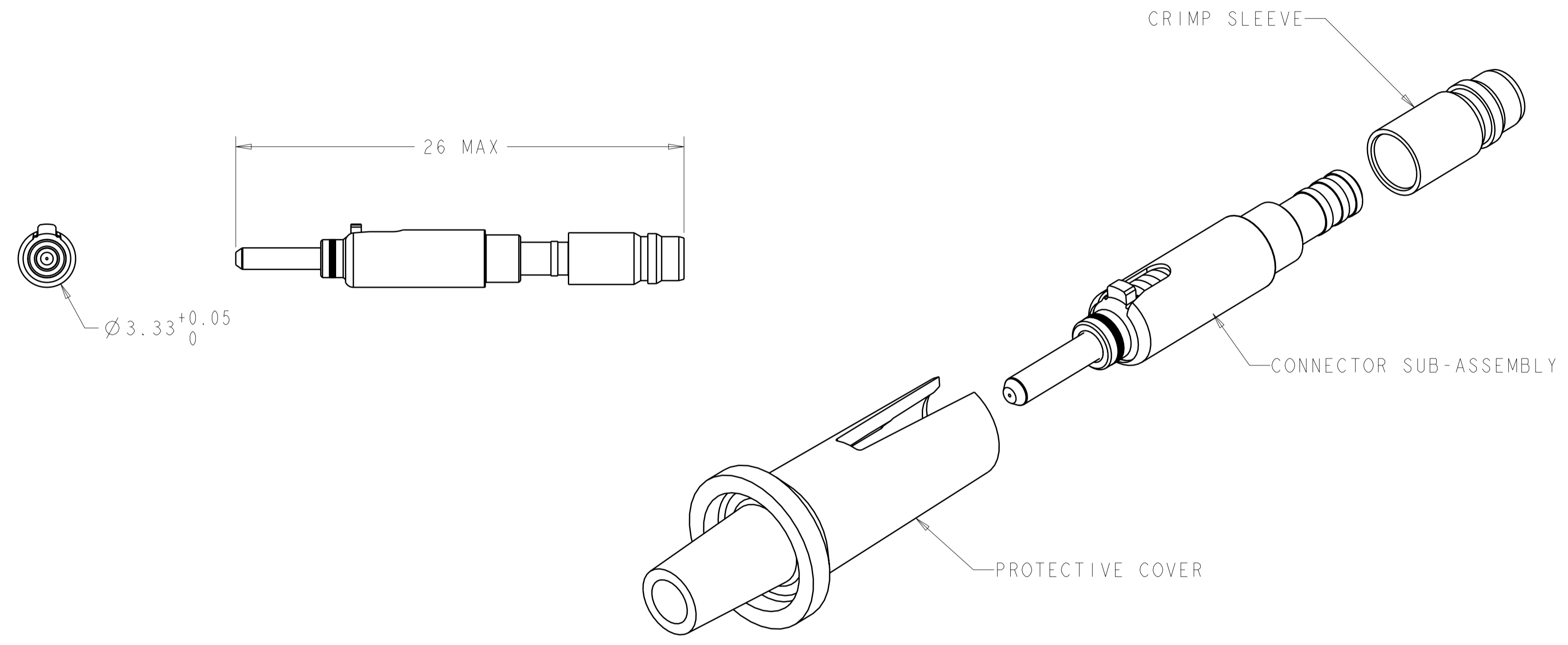
Address: A1208, Overseas Decoration Building, #122 Zhenhua RD., Futian, Shenzhen, China



THIS DRAWING IS UNPUBLISHED. RELEASED FOR PUBLICATION 20
 © COPYRIGHT 20 BY TYCO ELECTRONICS CORPORATION. ALL RIGHTS RESERVED.

LOC	DIST	REVISIONS			
P	LTR	DESCRIPTION	DATE	DWN	APVD
CE	00	SEE SHT 2			

⚠ MATERIAL:
 PROTECTIVE COVER: POLYACETAL
 FERRULE: ZIRCONIA
 FERRULE BASE: NICKEL PLATED COPPER
 INDEXED COVER: NICKEL PLATED COPPER
 CRIMP SLEEVE: NICKEL PLATED COPPER
 SPRING: STAINLESS STEEL



1828200-1
 PART NO.

LuxCis IS A REGISTERED TRADEMARK OF RADIALL

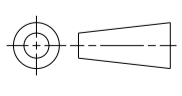
<small>THIS DRAWING IS A CONTROLLED DOCUMENT FOR TYCO ELECTRONICS CORPORATION IT IS SUBJECT TO CHANGE AND THE CONTROLLING ENGINEERING ORGANIZATION SHOULD BE CONTACTED FOR THE LATEST REVISION.</small>		DWN 21FEB2005 E. HOPKINS CHK 21FEB2005 D. ROHDE APVD 21FEB2005 B. EDWARDS	Tyco Electronics Harrisburg, PA 17105-3608
DIMENSIONS: mm	TOLERANCES UNLESS OTHERWISE SPECIFIED: 0 PLC ±- 1 PLC ±- 2 PLC ±- 3 PLC ±- 4 PLC ±- ANGLES ±- FINISH	PRODUCT SPEC APPLICATION SPEC WEIGHT	NAME LuxCis CONNECTOR KIT, MT, MM SIZE CAGE CODE DRAWING NO A200779C-1828200
MATERIAL ⚠		CUSTOMER DRAWING	RESTRICTED TO - SCALE 5:1 SHEET 1 OF 2 REV B1

THIS DRAWING IS UNPUBLISHED. RELEASED FOR PUBLICATION 20
 © COPYRIGHT 20 BY TYCO ELECTRONICS CORPORATION. ALL RIGHTS RESERVED.

LOC	DIST	REVISIONS					
CE	00	P	LTR	DESCRIPTION	DATE	DWN	APVD
		-		SEE SHEET 1			

1828200-C					STOCK DISPOSITION			
REVISION HISTORY					A: CONTINUE AS IS D: USE OLD FIRST B: REWORK E: PARTS TO CONFORM C: SCRAP F: OTHER			
DATE	REV	CHANGES	REASON	APPROVAL	INVENTORY (A,B,C,D,E,F)	WORK IN PROCESS (A,B,C,F)	SUPPLIER ORDERS (A,E,F)	OPEN CUST ORDERS (A,E,F)
21FEB2005	1	REL PER NPR 05-212	LEGAL COMPLIANCE	D.ROHDE	A	A	A	A
03OCT2005	2	ADDED Lux Cis TRADEMARK STATEMENT	LEGAL COMPLIANCE	D. RHODE	A	A	A	A
29NOV2007	A	REL TO ECR 07-027164	ACTIVE STATUS REV A	F. ABENDSCHEIN	-	-	-	-
07DEC2007	B	REL PER ECR 07-029595	CORRECT COMPONENTS	F. ABENDSCHEIN	-	-	-	-
07APR2009	BI	CHANGED SILICON TO POLYACETAL IN NOTE 1	DRAWING ERROR	D. ROHDE	A	A	A	A

LuxCis IS A REGISTERED TRADEMARK OF RADIALL

<small>THIS DRAWING IS A CONTROLLED DOCUMENT FOR TYCO ELECTRONICS CORPORATION IT IS SUBJECT TO CHANGE AND THE CONTROLLING ENGINEERING ORGANIZATION SHOULD BE CONTACTED FOR THE LATEST REVISION.</small>		DWN 21FEB2005 E. HOPKINS CHK 21FEB2005 D. ROHDE APVD 21FEB2005 B. EDWARDS	Tyco Electronics Harrisburg, PA 17105-3608
DIMENSIONS: mm 	TOLERANCES UNLESS OTHERWISE SPECIFIED: 0 PLC ±- 1 PLC ±- 2 PLC ±- 3 PLC ±- 4 PLC ±- ANGLES ±- FINISH	PRODUCT SPEC APPLICATION SPEC WEIGHT - CUSTOMER DRAWING	NAME LuxCis CONNECTOR KIT, MT, MM SIZE A2 CAGE CODE 00779 DRAWING NO. C-1828200 RESTRICTED TO - SCALE 5:1 SHEET 2 OF 2 REV BI