



Chipsmall Limited consists of a professional team with an average of over 10 year of expertise in the distribution of electronic components. Based in Hongkong, we have already established firm and mutual-benefit business relationships with customers from,Europe,America and south Asia,supplying obsolete and hard-to-find components to meet their specific needs.

With the principle of "Quality Parts,Customers Priority,Honest Operation,and Considerate Service",our business mainly focus on the distribution of electronic components. Line cards we deal with include Microchip,ALPS,ROHM,Xilinx,Pulse,ON,Everlight and Freescale. Main products comprise IC,Modules,Potentiometer,IC Socket,Relay,Connector.Our parts cover such applications as commercial,industrial, and automotives areas.

We are looking forward to setting up business relationship with you and hope to provide you with the best service and solution. Let us make a better world for our industry!



Contact us

Tel: +86-755-8981 8866 Fax: +86-755-8427 6832

Email & Skype: info@chipsmall.com Web: www.chipsmall.com

Address: A1208, Overseas Decoration Building, #122 Zhenhua RD., Futian, Shenzhen, China



THIS DRAWING IS UNPUBLISHED.

RELEASED FOR PUBLICATION

© COPYRIGHT -

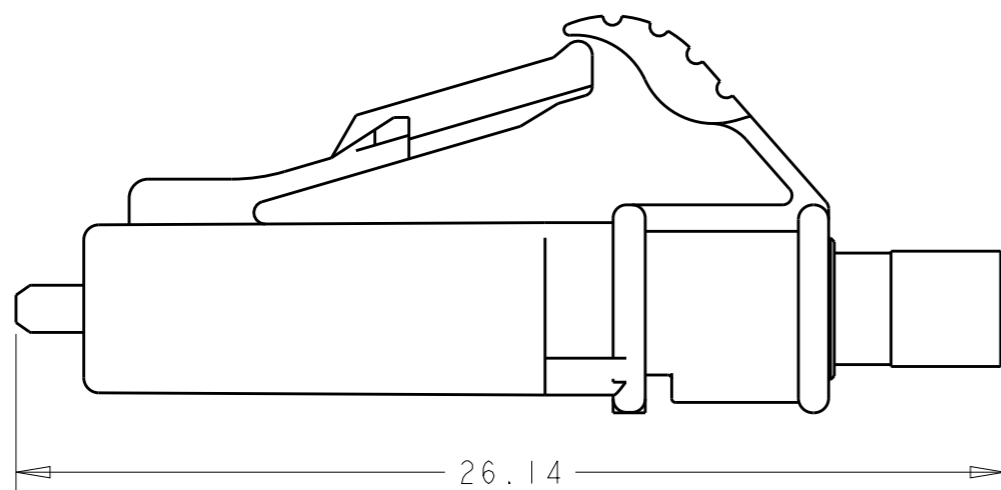
ALL RIGHTS RESERVED.

LOC
HG

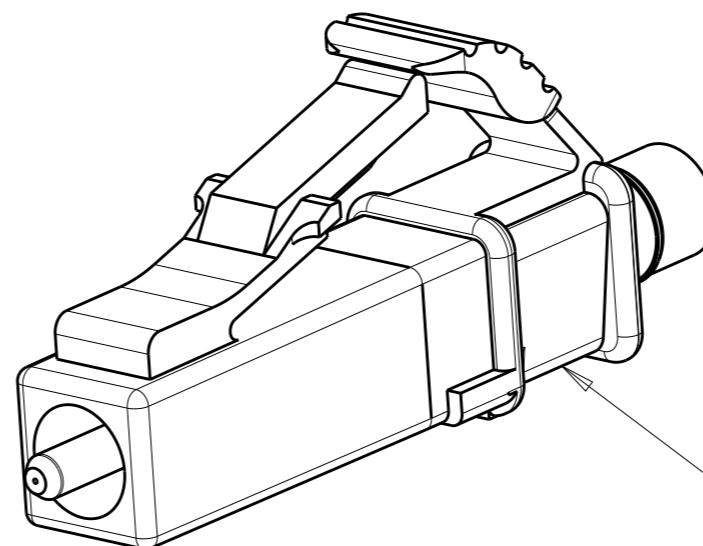
DIST
-

REVISIONS

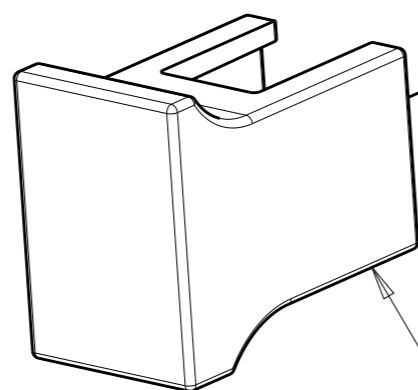
P	LTR	DESCRIPTION	DATE	DWN	APVD
	E	ECR-15-000639	15JAN2015	BB	JO



CONNECTOR SUB-ASSEMBLY



CONNECTOR SUB-ASSEMBLY



PROTECTIVE COVER

PVC	WHITE	1828456-4
PVC	WHITE	1828456-3
PVC	WHITE	1828456-2
PVC	WHITE	1828456-1
MATERIAL	COLOR OF PROTECTIVE COVER	PART NO

MATERIAL:
 PROTECTIVE COVER - SEE TABLE FOR DETAIL, UL 94 V-0 *
 FERRULE SUB ASSEMBLY - ZIRCONIA/METAL
 COMPRESSION SPRING - STAINLESS STEEL
 HOUSING - PEI, BLUE, UL 94 V-0 *
 INNER TUBING - PTFE, CLEAR, UL VW-1
 REAR BODY - ALUMINUM

* RATED AT QUALIFYING THICKNESS

2. BULK PACKAGED.

THIS DRAWING IS A CONTROLLED DOCUMENT.

DIMENSIONS:	TOLERANCES UNLESS OTHERWISE SPECIFIED:
mm	
	0 PLC ±-
	1 PLC ±-
	2 PLC ±-
	3 PLC ±-
	4 PLC ±-
	ANGLES ±-
MATERIAL -	FINISH -

DWN	E. HOPKINS	16FEB2006
CHK	D. ROHDE	16FEB2006
APVD	D. BAECHTLE	16FEB2006

PRODUCT SPEC	-
APPLICATION SPEC	-
WEIGHT	-
CUSTOMER DRAWING	

TE Connectivity		NAME	
		CONNECTOR ASSEMBLY, ONE-PIECE LC SINGLE MODE	
SIZE	CAGE CODE	DRAWING NO	RESTRICTED TO
A3	-	1828456	-
SCALE		SHEET	OF
5:1		1	1
		REV	E