



Chipsmall Limited consists of a professional team with an average of over 10 year of expertise in the distribution of electronic components. Based in Hongkong, we have already established firm and mutual-benefit business relationships with customers from,Europe,America and south Asia,supplying obsolete and hard-to-find components to meet their specific needs.

With the principle of "Quality Parts,Customers Priority,Honest Operation,and Considerate Service",our business mainly focus on the distribution of electronic components. Line cards we deal with include Microchip,ALPS,ROHM,Xilinx,Pulse,ON,Everlight and Freescale. Main products comprise IC,Modules,Potentiometer,IC Socket,Relay,Connector.Our parts cover such applications as commercial,industrial, and automotives areas.

We are looking forward to setting up business relationship with you and hope to provide you with the best service and solution. Let us make a better world for our industry!



Contact us

Tel: +86-755-8981 8866 Fax: +86-755-8427 6832

Email & Skype: info@chipsmall.com Web: www.chipsmall.com

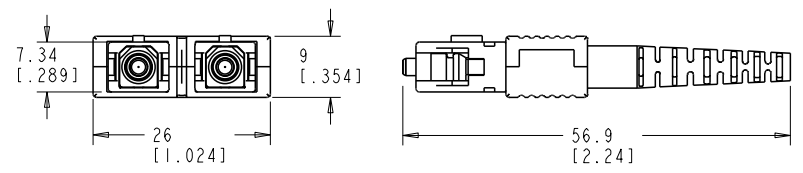
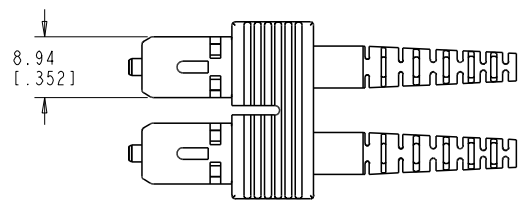
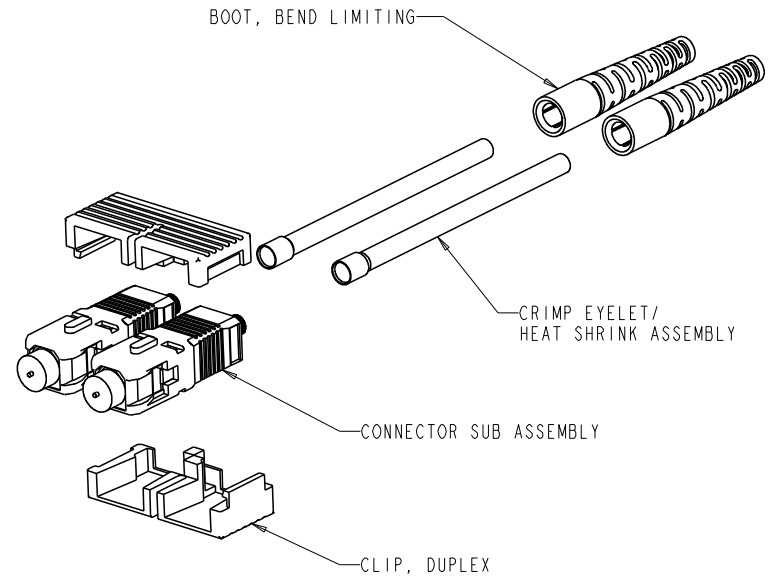
Address: A1208, Overseas Decoration Building, #122 Zhenhua RD., Futian, Shenzhen, China



REVISIONS				
P	LT#	DESCRIPTION	DATE	OWN APVD
E		ECR-17-012802	06SEP2017	KG DW

△ MATERIAL: PROTECTIVE COVER: TPE, COLOR:BLACK, UL 94 HB. *
 FERRULE SUB ASSEMBLY: ZIRCONIA/METAL
 COMPRESSION SPRING: STAINLESS STEEL.
 CONNECTOR HOUSING: PBT, COLOR:BEIGE, UL 94 V-0. *
 PLUG BODY: PAS, COLOR: BEIGE, UL 94 V-0. *
 REAR BODY: METAL
 BOOT: PP, COLOR:BEIGE, UL 94 V-0. *
 CRIMP EYELET/HEAT SHRINK ASSY: ALUM. ALLOY, HEAT SHRINK: POLYOLEFIN, UL VW-I.
 CLIP, DUPLEX, TP, COLOR: BLACK
 *RATED AT QUALIFYING THICKNESS.

△ BULK PACKAGED



△	1828574-2
	1828574-1
	PART NUMBER

THIS DRAWING IS A CONTROLLED DOCUMENT.		OWN: D. ERDMAN 19APE2005	TE Connectivity
DIMENSIONS: mm [INCHES]		CHK: D. ROHDE 19APR2005	
TOLERANCES UNLESS OTHERWISE SPECIFIED:		APVD: B. EDWARDS 19APR2005	
0 PLC ±	1 PLC ±0.1 [1.004]	PRODUCT SPEC	NAME: CONNECTOR KIT, SC, DUPLEX, MM, JUMPER, TIGHT JACKET
2 PLC ±0.01 [0.004]	3 PLC ±	APPLICATION SPEC	STYLE, 1.6-2.0mm
4 PLC ±	ANGLES FINISH	WEIGHT	SIZE: A2
MATERIAL		CAGE CODE	DRAWING NO: 1828574
△		CUSTOMER DRAWING	RESTRICTED TO
		SCALE: 3:1	SHEET 1 OF 1 REV E