



Chipsmall Limited consists of a professional team with an average of over 10 year of expertise in the distribution of electronic components. Based in Hongkong, we have already established firm and mutual-benefit business relationships with customers from,Europe,America and south Asia,supplying obsolete and hard-to-find components to meet their specific needs.

With the principle of “Quality Parts,Customers Priority,Honest Operation,and Considerate Service”,our business mainly focus on the distribution of electronic components. Line cards we deal with include Microchip,ALPS,ROHM,Xilinx,Pulse,ON,Everlight and Freescale. Main products comprise IC,Modules,Potentiometer,IC Socket,Relay,Connector.Our parts cover such applications as commercial,industrial, and automotives areas.

We are looking forward to setting up business relationship with you and hope to provide you with the best service and solution. Let us make a better world for our industry!



## Contact us

Tel: +86-755-8981 8866 Fax: +86-755-8427 6832

Email & Skype: info@chipsmall.com Web: www.chipsmall.com

Address: A1208, Overseas Decoration Building, #122 Zhenhua RD., Futian, Shenzhen, China



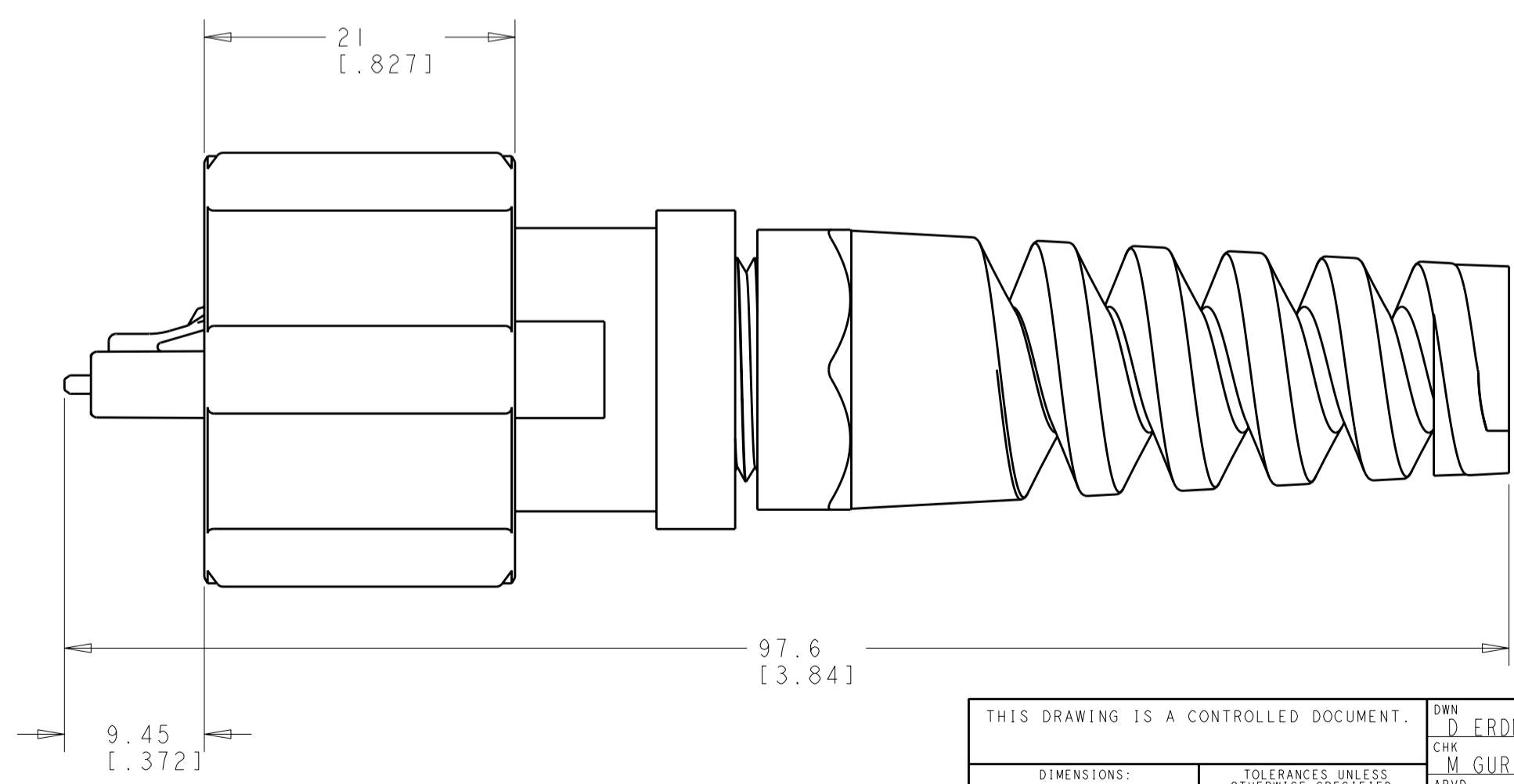
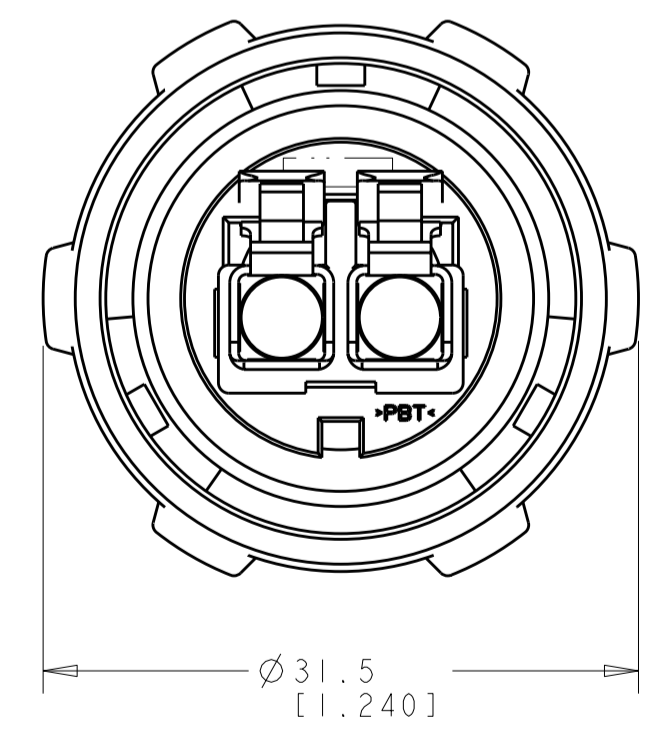
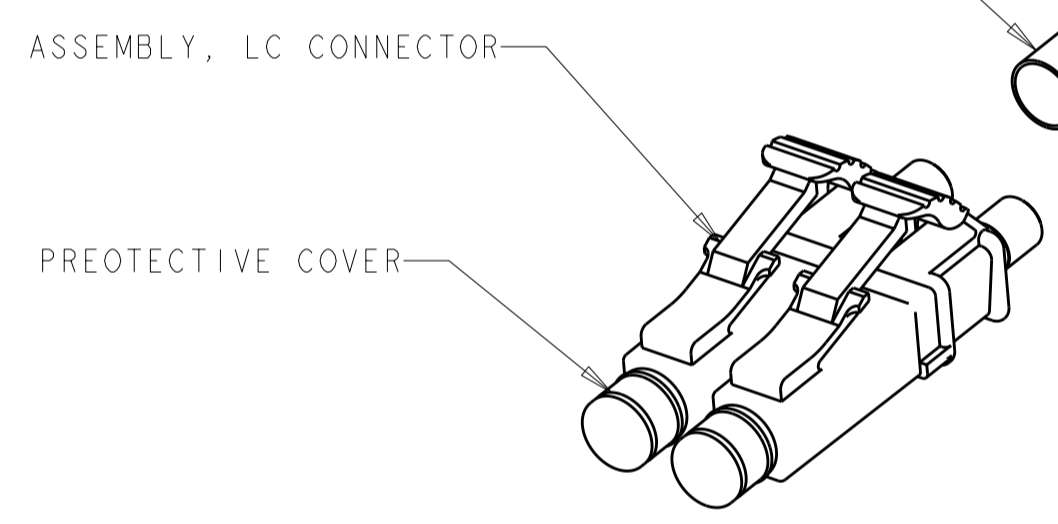
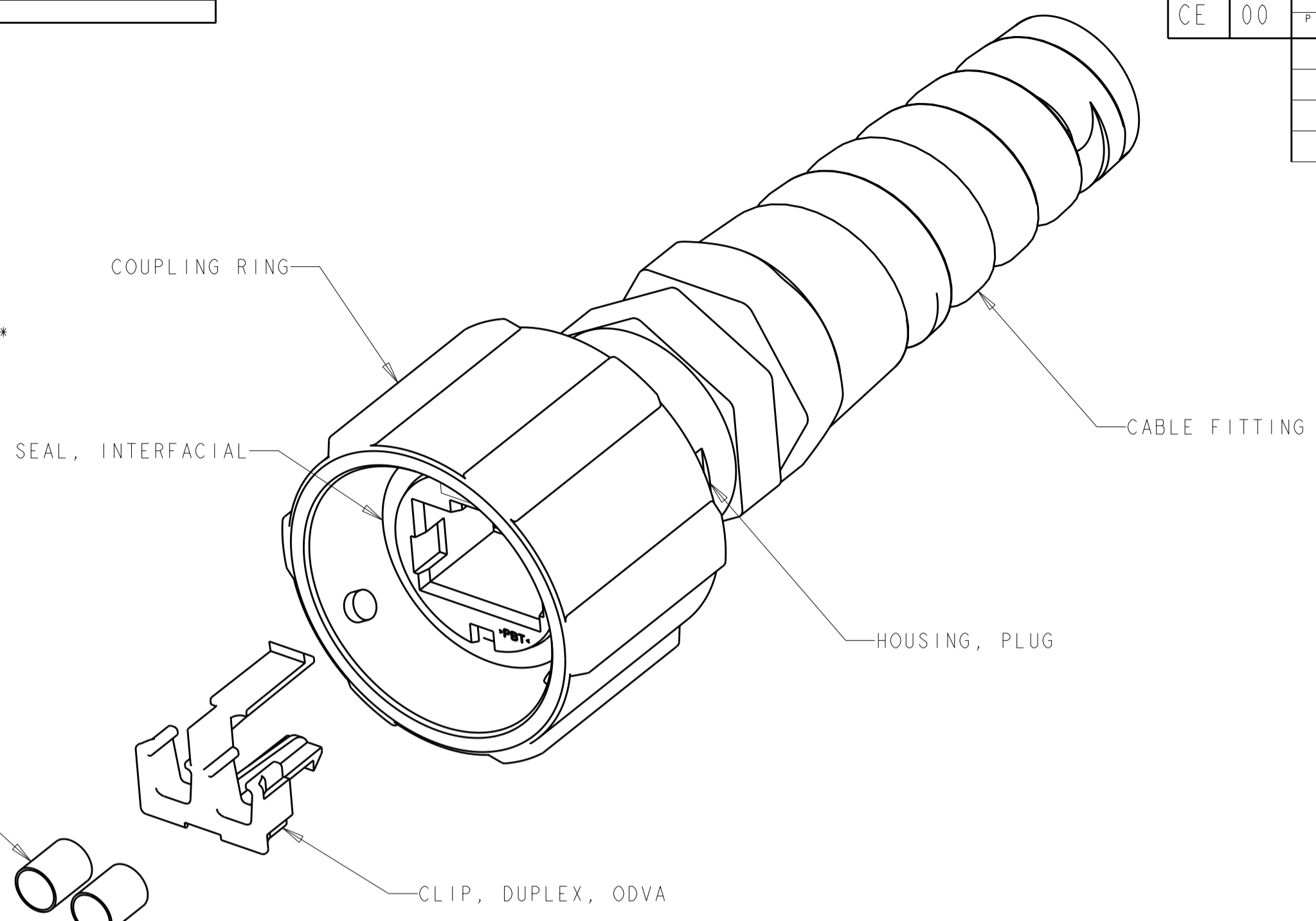
THIS DRAWING IS UNPUBLISHED. RELEASED FOR PUBLICATION 20  
 © COPYRIGHT 20 BY - ALL RIGHTS RESERVED.

LOC	DIST	REVISIONS			
P	LTR	DESCRIPTION	DATE	DWN	APVD
CE	00				
	AI	REVISED PER ECO-11-005027	15MAR2011	RK	HMR

**1** MATERIAL:  
 PLUG HOUSING: PBT, COLOR: BLACK\*  
 COUPLING RING: PBT, COLOR: BLACK\*  
 CABLE FITTING: NYLON 6/6, COLOR: BLACK  
 INTERFACIAL SEAL: SILICONE, COLOR: RED/ORANGE  
 CRIMP EYELET: BRASS, TIN PLATED  
 DUPLEX CLIP: PC, COLOR: BLACK\*

LC PLUG ASSEMBLY:  
 HOUSING: PET, COLOR: (-1) MM BEIGE, (-2) SM BLUE\*  
 FERRULE SUB ASSY: ZIRCONIA/ METAL  
 COMPRESSION SPRING: SST  
 INNER TUBING: PTFE\*  
 REAR BODY: METAL  
 PROTECTIVE CAP: PPSU, COLOR: BLACK

\*UL 94 V-0 RATED AT QUALIFYING THICKNESS.



SINGLEMODE	1828618-2
MULTIMODE	1828618-1
DESCRIPTION	PART NO

THIS DRAWING IS A CONTROLLED DOCUMENT.		DWN D. ERDMAN 19MAY2005	TE Connectivity	
DIMENSIONS: mm [IN]		CHK M. GURRERI 19MAY2005		
TOLERANCES UNLESS OTHERWISE SPECIFIED:		APVD D. BAECHEL 19MAY2005	NAME KIT, PLUG, INDUSTRIAL DUPLEX LC ODVA	
0 PLC ±0.1		PRODUCT SPEC	SIZE	
1 PLC ±0.1		APPLICATION SPEC	CAGE CODE	
2 PLC ±0.1		WEIGHT	DRAWING NO	
3 PLC ±		CUSTOMER DRAWING	RESTRICTED TO	
4 PLC ±			A200779C-1828618	
ANGLES ±			SCALE 5:2	
FINISH ±			SHEET 1 OF 1	
			REV AI	