



Chipsmall Limited consists of a professional team with an average of over 10 year of expertise in the distribution of electronic components. Based in Hongkong, we have already established firm and mutual-benefit business relationships with customers from,Europe,America and south Asia,supplying obsolete and hard-to-find components to meet their specific needs.

With the principle of "Quality Parts,Customers Priority,Honest Operation,and Considerate Service",our business mainly focus on the distribution of electronic components. Line cards we deal with include Microchip,ALPS,ROHM,Xilinx,Pulse,ON,Everlight and Freescale. Main products comprise IC,Modules,Potentiometer,IC Socket,Relay,Connector.Our parts cover such applications as commercial,industrial, and automotives areas.

We are looking forward to setting up business relationship with you and hope to provide you with the best service and solution. Let us make a better world for our industry!



Contact us

Tel: +86-755-8981 8866 Fax: +86-755-8427 6832

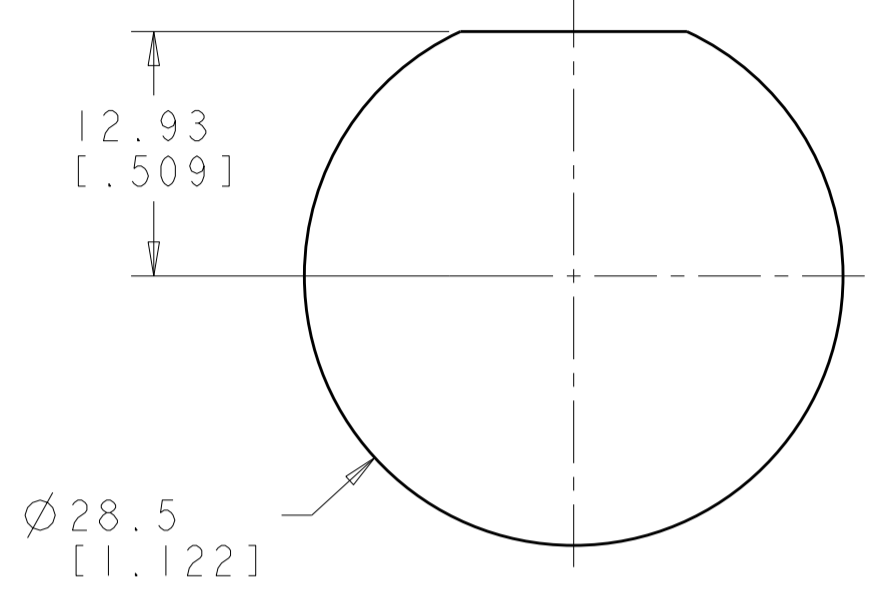
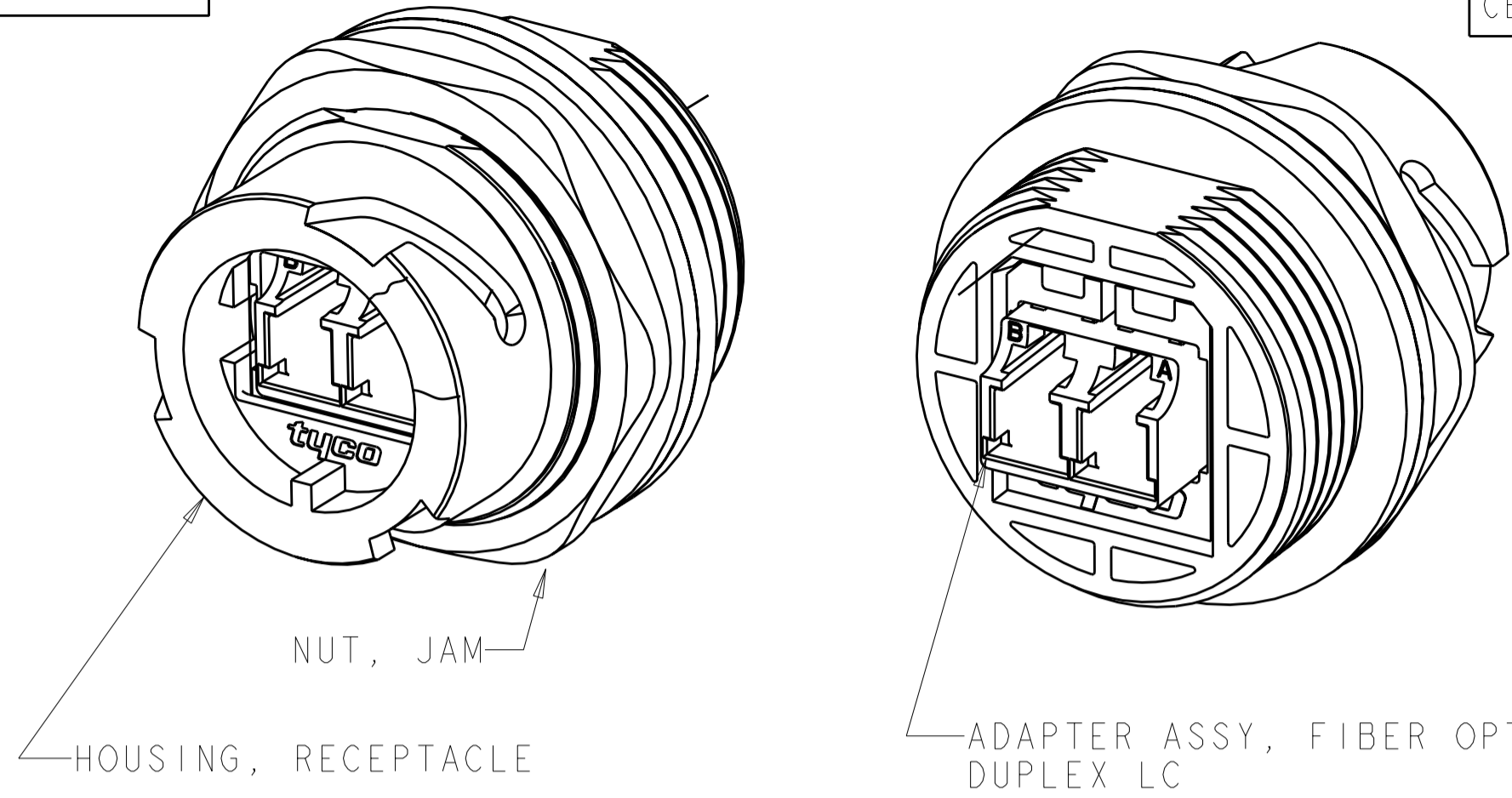
Email & Skype: info@chipsmall.com Web: www.chipsmall.com

Address: A1208, Overseas Decoration Building, #122 Zhenhua RD., Futian, Shenzhen, China

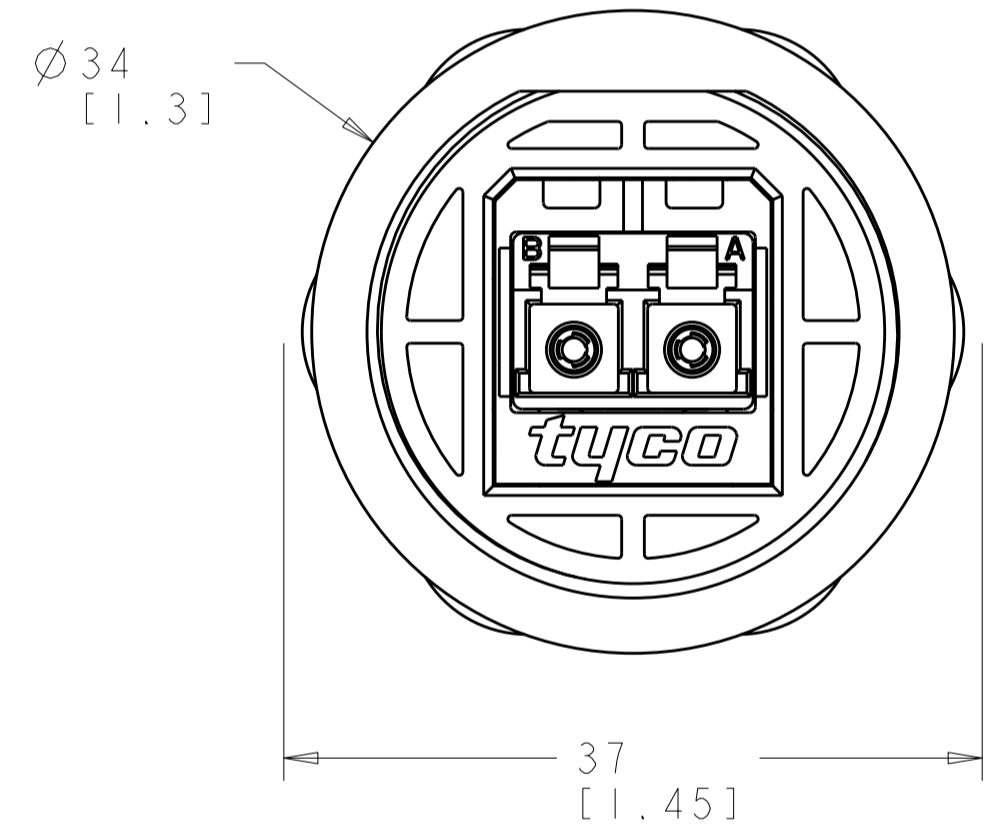
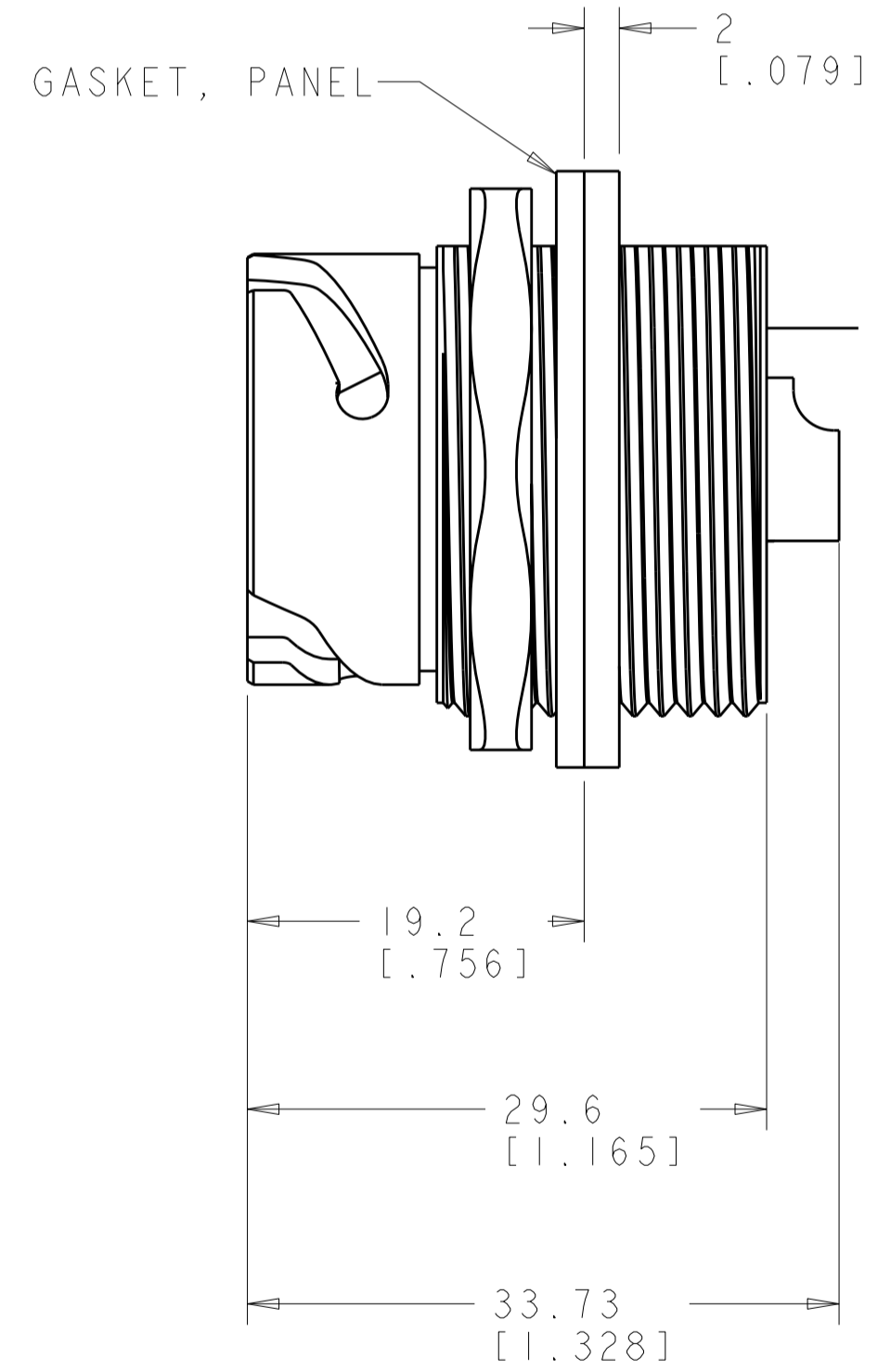
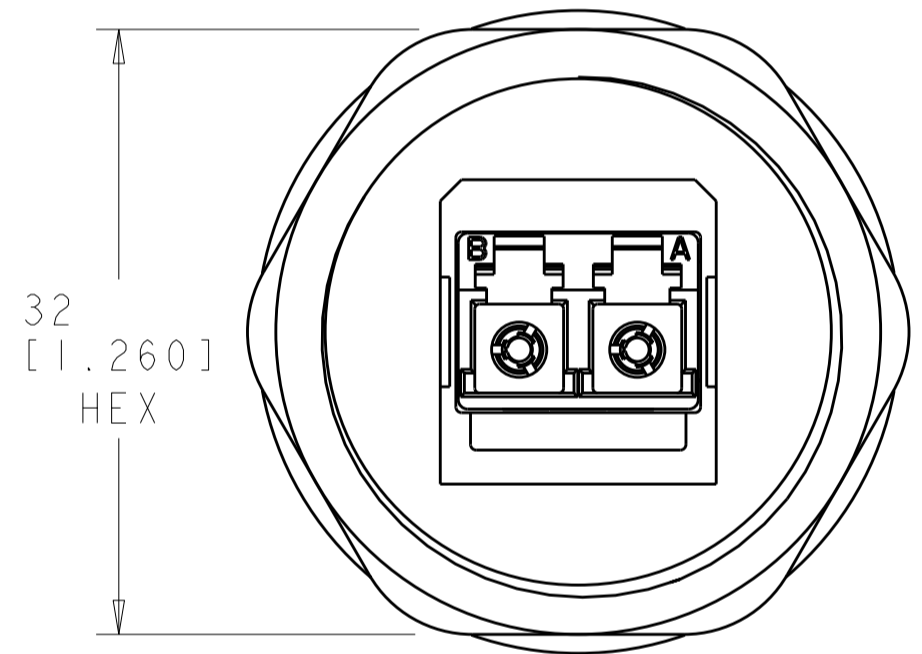


THIS DRAWING IS UNPUBLISHED. RELEASED FOR PUBLICATION 20
 © COPYRIGHT 20 BY TYCO ELECTRONICS CORPORATION. ALL RIGHTS RESERVED.

LOC	DIST	REVISIONS					
CE	00	P	LTR	DESCRIPTION	DATE	DWN	APVD
		A		REL TO ACTIVE PER ECR-08-029127	IDEC2008	DDE	DDE



RECOMMENDED PANEL CUT-OUT
 MAX PANEL THICKNESS 3.2mm



MATERIAL:
 HOUSING, RECEPTACLE: PBT, COLOR: BLACK*
 NUT, PANEL: BRASS, Ni PLATED
 GASKET: SILICONE, COLOR: RED/ORANGE

LC DUPLEX ADAPTER ASSY:
 HOUSING: PEI, COLOR: MM BEIGE, SM BLUE*
 PROTECTIVE COVERS: TPE, COLOR: BLACK*
 ALIGNMENT SLEEVES: MM METAL, SM CERAMIC

* UL 94 V-0 RATED AT QUALIFYING THICKNESS.

2. ADAPTER PROTECTIVE COVERS ARE INCLUDED; NOT SHOWN.

3. ADAPTER SEALED PROTECTIVE CAP W/ TETHER IS ALSO AVAILABLE, P/N 1918177-1.

SINGLEMODE	1828619-2
MULTIMODE	1828619-1
DESCRIPTION	PART NO

THIS DRAWING IS A CONTROLLED DOCUMENT FOR TYCO ELECTRONICS CORPORATION. IT IS SUBJECT TO CHANGE AND THE CONTROLLING ENGINEERING ORGANIZATION SHOULD BE CONTACTED FOR THE LATEST REVISION.		DWN D. ERDMAN 19MAY2005	Tyco Electronics Harrisburg, PA 17105-3608	
DIMENSIONS: mm [IN]		CHK M. GURRERI 19MAY2005	NAME KIT, RECEPTACLE, INDUSTRIAL DUPLEX LC ODVA	
TOLERANCES UNLESS OTHERWISE SPECIFIED:		APVD D. BAECHTLE 19MAY2005	RESTRICTED TO	
0 PLC ±0.1		PRODUCT SPEC	SIZE	
1 PLC ±0.1		APPLICATION SPEC	CAGE CODE	
2 PLC ±0.1		WEIGHT	DRAWING NO	
3 PLC ±			A200779	
4 PLC ±			C-1828619	
ANGLES ±		CUSTOMER DRAWING	SCALE 5:2	
FINISH ±			SHEET 1 OF 1	
			REV A	