



Chipsmall Limited consists of a professional team with an average of over 10 year of expertise in the distribution of electronic components. Based in Hongkong, we have already established firm and mutual-benefit business relationships with customers from,Europe,America and south Asia,supplying obsolete and hard-to-find components to meet their specific needs.

With the principle of “Quality Parts,Customers Priority,Honest Operation,and Considerate Service”,our business mainly focus on the distribution of electronic components. Line cards we deal with include Microchip,ALPS,ROHM,Xilinx,Pulse,ON,Everlight and Freescale. Main products comprise IC,Modules,Potentiometer,IC Socket,Relay,Connector.Our parts cover such applications as commercial,industrial, and automotives areas.

We are looking forward to setting up business relationship with you and hope to provide you with the best service and solution. Let us make a better world for our industry!



Contact us

Tel: +86-755-8981 8866 Fax: +86-755-8427 6832

Email & Skype: info@chipsmall.com Web: www.chipsmall.com

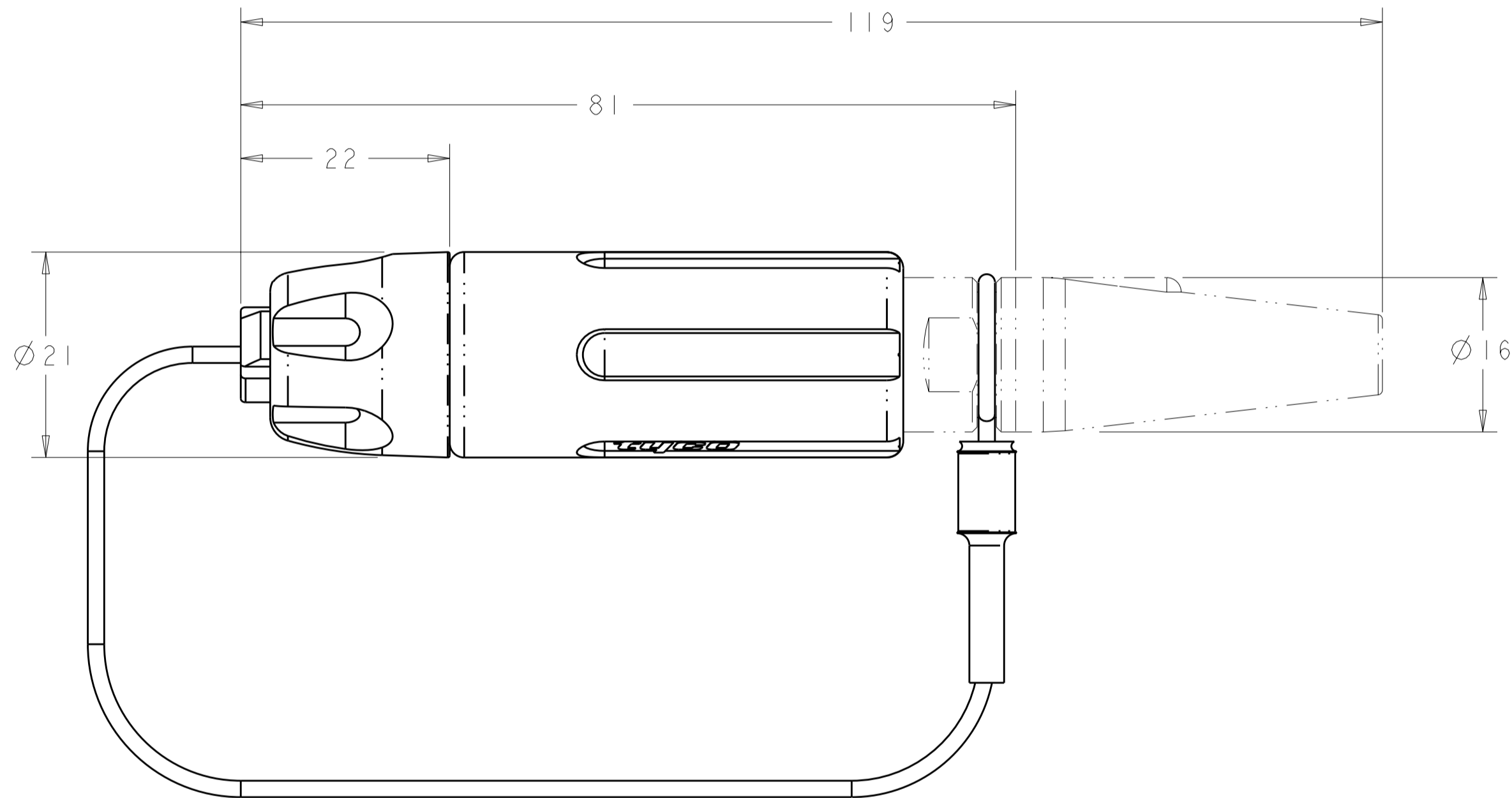
Address: A1208, Overseas Decoration Building, #122 Zhenhua RD., Futian, Shenzhen, China



THIS DRAWING IS UNPUBLISHED. RELEASED FOR PUBLICATION 20
 © COPYRIGHT 20 BY TYCO ELECTRONICS CORPORATION. ALL RIGHTS RESERVED.

LOC	DIST	REVISIONS			
P	LTR	DESCRIPTION	DATE	DWN	APVD
CE	16	B	ECR-09-000220	06JAN2009	KG DW

1. ASSEMBLY SHOWN FOR REFERENCE ONLY. SHIPPED LOOSE PIECE AS SHOWN ON PAGE 2.
2. ALL ASSEMBLY DIMENSION ARE FOR REFERENCE ONLY.
3. COMPLETE THE CONNECTOR ASSEMBLY BY ADDING EACH OF THE FOLLOWING PRO BEAM MINI KITS:
 - A. EXPANDED BEAM INSERT ASSEMBLY KIT
 - B. CABLE ADAPTER KIT, SIZED TO THE CABLE JACKET DIAMETER
 - C. FERRULE KIT, ONE PER FIBER
4. THIS PRODUCT HAS NOT COMPLETED VALIDATION TESTING.



SHOWN WITH CABLE ADAPTER KIT INSTALLED AS PHANTOM LINES FOR VISUAL AND DIMENSIONAL REFERENCE

FLUROSILICONE	NICKEL ALUMINUM BRONZE	1828698-4
	ALUMINUM	1828698-3
EPDM	NICKEL ALUMINUM BRONZE	1828698-2
	ALUMINUM	1828698-1
GRIP RING RUBBER	HOUSING ALLOY	PART NUMBER

DIMENSIONS:		TOLERANCES UNLESS OTHERWISE SPECIFIED:		DWN		Tyco Electronics	
mm	0 PLC	±	20 JUN2005	K. GLATFELTER		Tyco Electronics	
	1 PLC	±	24 JUN2005	D. WERTMAN		Harrisburg, PA 17105-3608	
	2 PLC	±	24 JUN2005	D. WERTMAN		NAME	
	3 PLC	±	24 JUN2005	D. WERTMAN		CONNECTOR SHELL KIT, PLUG	
	4 PLC	±				PRO BEAM MINI	
	ANGLES	±				SIZE	RESTRICTED TO
MATERIAL	FINISH					CAGE CODE	
	HARD ANODIZE (A1 ONLY)					DRAWING NO	
						SCALE	
						SHEET	
						OF	
						REV	

THIS DRAWING IS UNPUBLISHED. RELEASED FOR PUBLICATION 20
 © COPYRIGHT 20 BY TYCO ELECTRONICS CORPORATION. ALL RIGHTS RESERVED.

LOC	DIST	REVISIONS					
		P	LTR	DESCRIPTION	DATE	DWN	APVD
CE	16	-	-	SEE SHEET 1	-	-	-

1. SHIPPED LOOSE PIECE AS SHOWN.
 2 TETHER ATTACHING LOOP TO BE COMPLETED ONTO CONNECTOR DURING TERMINATION ASSEMBLY.

COLLET SLEEVE
 -1 & -3: ALUMINUM ALLOY
 -2 & -4: NiAl BRONZE

FRONT HOUSING
 -1 & -3: ALUMINUM ALLOY
 -2 & -4: NiAl BRONZE

COLLET NUT
 -1 & -3: ALUMINUM ALLOY
 -2 & -4: NiAl BRONZE

FRONT SEAL (INSTALLED)
 MAT'L: FLUROSILICONE

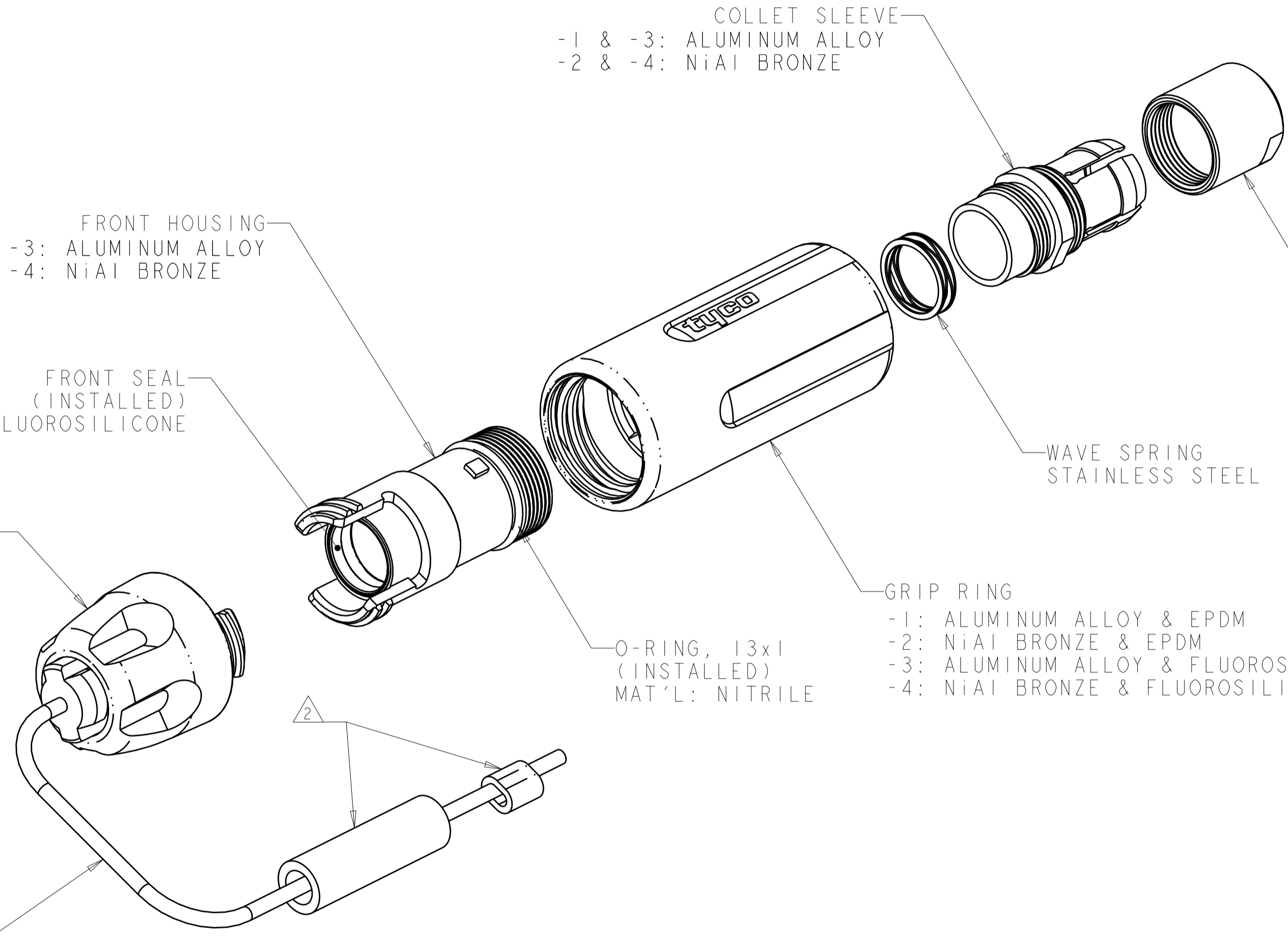
WAVE SPRING
 STAINLESS STEEL

PROTECTIVE CAP
 MAT'L: THERMOPLASTIC

GRIP RING
 -1: ALUMINUM ALLOY & EPDM
 -2: NiAl BRONZE & EPDM
 -3: ALUMINUM ALLOY & FLUROSILICONE
 -4: NiAl BRONZE & FLUROSILICONE

O-RING, 13x1 (INSTALLED)
 MAT'L: NITRILE

TETHER
 MAT'L: PLASTICOATED STEEL WIRE



THIS DRAWING IS A CONTROLLED DOCUMENT FOR TYCO ELECTRONICS CORPORATION. IT IS SUBJECT TO CHANGE AND THE CONTROLLING ENGINEERING ORGANIZATION SHOULD BE CONTACTED FOR THE LATEST REVISION.		DWN K. GLATFELTER 20 JUN 2005	Tyco Electronics Harrisburg, PA 17105-3608	
DIMENSIONS: mm		CHK D. WERTMAN 24 JUN 2005	NAME CONNECTOR SHELL KIT, PLUG PRO BEAM MINI	
TOLERANCES UNLESS OTHERWISE SPECIFIED: 0 PLC ± 1 PLC ± 2 PLC ± 3 PLC ± 4 PLC ± ANGLES ±		APVD D. WERTMAN 24 JUN 2005	RESTRICTED TO	
MATERIAL AS LISTED		PRODUCT SPEC -	SIZE A200779	DRAWING NO. C-1828698
FINISH HARD ANODIZE (A1 ONLY)		APPLICATION SPEC -	SCALE 2:1	SHEET 2 OF 2
		WEIGHT -	REV B	
		CUSTOMER DRAWING		