



Chipsmall Limited consists of a professional team with an average of over 10 year of expertise in the distribution of electronic components. Based in Hongkong, we have already established firm and mutual-benefit business relationships with customers from,Europe,America and south Asia,supplying obsolete and hard-to-find components to meet their specific needs.

With the principle of “Quality Parts,Customers Priority,Honest Operation,and Considerate Service”,our business mainly focus on the distribution of electronic components. Line cards we deal with include Microchip,ALPS,ROHM,Xilinx,Pulse,ON,Everlight and Freescale. Main products comprise IC,Modules,Potentiometer,IC Socket,Relay,Connector.Our parts cover such applications as commercial,industrial, and automotives areas.

We are looking forward to setting up business relationship with you and hope to provide you with the best service and solution. Let us make a better world for our industry!



Contact us

Tel: +86-755-8981 8866 Fax: +86-755-8427 6832

Email & Skype: info@chipsmall.com Web: www.chipsmall.com

Address: A1208, Overseas Decoration Building, #122 Zhenhua RD., Futian, Shenzhen, China



THIS DRAWING IS UNPUBLISHED.

RELEASED FOR PUBLICATION

20

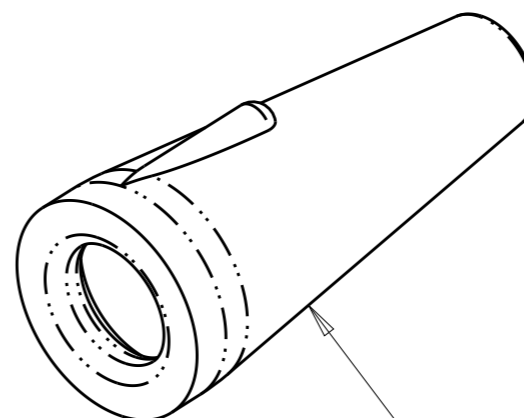
© COPYRIGHT 20 BY -

ALL RIGHTS RESERVED.

REVISIONS

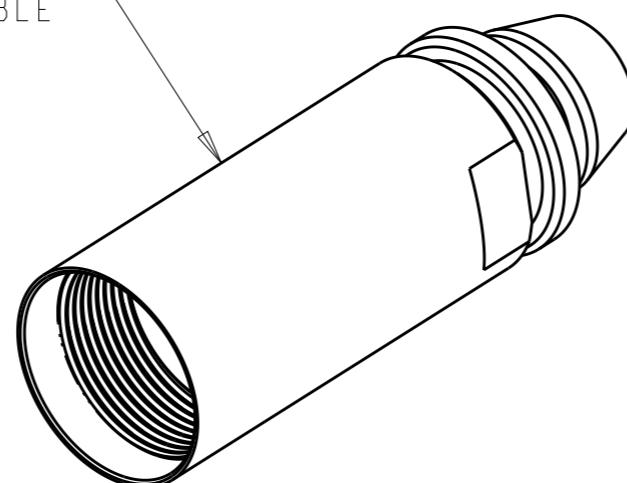
P	LTR	DESCRIPTION	DATE	DWN	APVD
	C	ECR-15-008603	23JUN2015	KG	DW

I. PACKAGED LOOSE PIECE.



BOOT
MAT'L: SEE TABLE

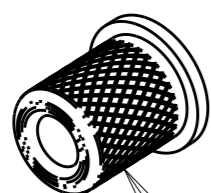
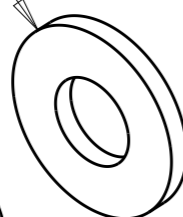
EXTENSION
MAT'L: SEE TABLE



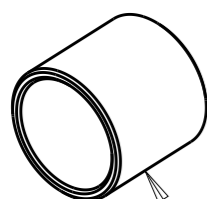
SEAL
MAT'L: FLUROSILICONE RUBBER



WASHER
MAT'L: STAINLESS STEEL




CRIMP SUPPORT
MAT'L: NICKEL-SILVER ALLOY



CRIMP SLEEVE
MAT'L: NICKEL-SILVER ALLOY

FLUROSILICONE RUBBER	NICKEL ALUMINUM BRONZE	6.7mm	1-1828700-6
		6.2mm	1-1828700-5
		5.6mm	1-1828700-4
		5.1mm	1-1828700-3
EPDM RUBBER	ALUMINUM ALLOY	6.7mm	1-1828700-2
		6.2mm	1-1828700-1
		5.6mm	1-1828700-0
		5.1mm	1828700-9
BOOT MATERIAL	EXTENSION MATERIAL	6.7mm	1828700-8
		6.2mm	1828700-7
		5.6mm	1828700-6
		5.1mm	1828700-5
		6.7mm	1828700-4
		6.2mm	1828700-3
		5.6mm	1828700-2
		5.1mm	1828700-1

THIS DRAWING IS A CONTROLLED DOCUMENT.		DWN K. GLATFELTER 17 JUN 2005	 TE Connectivity	
DIMENSIONS: mm		CHK D. WERTMAN 24 JUN 2005		
TOLERANCES UNLESS OTHERWISE SPECIFIED:		APVD D. WERTMAN 24 JUN 2005	NAME CABLE ADAPTER KIT, PLUG PRO BEAM MINI	
0 PLC ±- 1 PLC ±- 2 PLC ±- 3 PLC ±- 4 PLC ±- ANGLES ±-		PRODUCT SPEC -	-	
MATERIAL AS LISTED		APPLICATION SPEC -	-	
FINISH HARD ANODIZE (AL ONLY)		WEIGHT -	SIZE A3	CAGE CODE 00779
		Customer Drawing	DRAWING NO C-1828700	RESTRICTED TO -
		SCALE 2:1	SHEET 1	REV C