



Chipsmall Limited consists of a professional team with an average of over 10 year of expertise in the distribution of electronic components. Based in Hongkong, we have already established firm and mutual-benefit business relationships with customers from,Europe,America and south Asia,supplying obsolete and hard-to-find components to meet their specific needs.

With the principle of “Quality Parts,Customers Priority,Honest Operation,and Considerate Service”,our business mainly focus on the distribution of electronic components. Line cards we deal with include Microchip,ALPS,ROHM,Xilinx,Pulse,ON,Everlight and Freescale. Main products comprise IC,Modules,Potentiometer,IC Socket,Relay,Connector.Our parts cover such applications as commercial,industrial, and automotives areas.

We are looking forward to setting up business relationship with you and hope to provide you with the best service and solution. Let us make a better world for our industry!



## Contact us

Tel: +86-755-8981 8866 Fax: +86-755-8427 6832

Email & Skype: info@chipsmall.com Web: www.chipsmall.com

Address: A1208, Overseas Decoration Building, #122 Zhenhua RD., Futian, Shenzhen, China



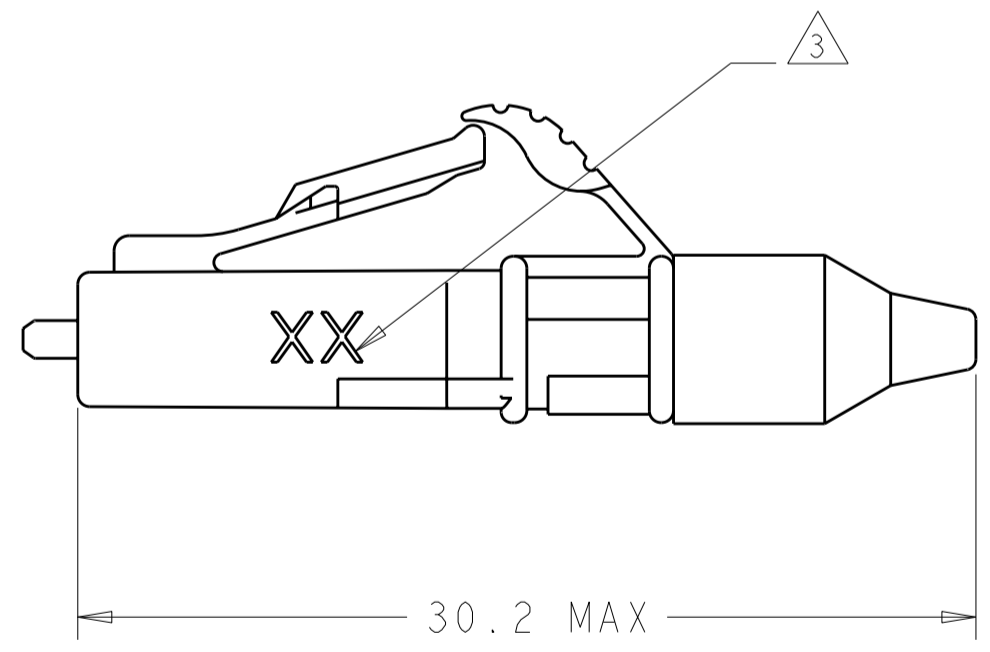
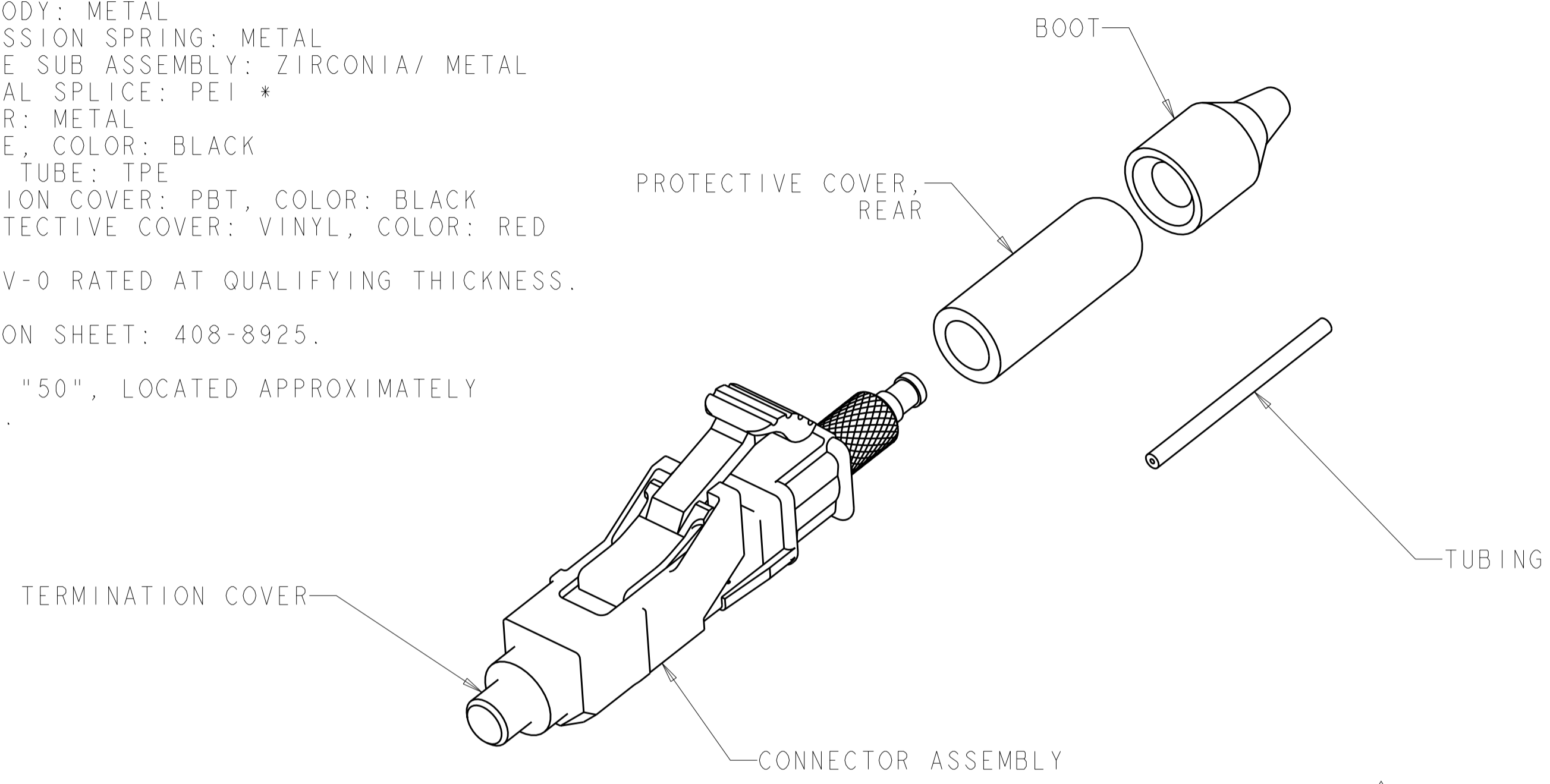
THIS DRAWING IS UNPUBLISHED. RELEASED FOR PUBLICATION 20  
 © COPYRIGHT 20 BY TYCO ELECTRONICS CORPORATION. ALL RIGHTS RESERVED.

LOC	DIST	REVISIONS			
P	LTR	DESCRIPTION	DATE	DWN	APVD
	A	REL TO ACTIVE PER 06-027039	4JAN2007	DDE	EH
	B	ECR-08-031868	22DEC2008	KG	SB

1 MATERIAL:  
 CONNECTOR ASSEMBLY:  
 CONNECTOR HOUSING: PPSU, COLOR: SEE -NO'S.\*  
 REAR BODY: METAL  
 COMPRESSION SPRING: METAL  
 FERRULE SUB ASSEMBLY: ZIRCONIA/ METAL  
 INTERNAL SPLICE: PEI \*  
 PLUNGER: METAL  
 BOOT: TPE, COLOR: BLACK  
 BUILD-UP TUBE: TPE  
 TERMINATION COVER: PBT, COLOR: BLACK  
 REAR PROTECTIVE COVER: VINYL, COLOR: RED

\* UL 94 V-0 RATED AT QUALIFYING THICKNESS.

2. INSTRUCTION SHEET: 408-8925.  
 3 MARK WITH "50", LOCATED APPROXIMATELY AS SHOWN.



SLATE	1-1828853-0
ORANGE	1828853-9
VIOLET	1828853-8
BROWN	1828853-7
AQUA	1828853-6
ROSE	1828853-5
BLUE	1828853-4
GREEN	1828853-3
YELLOW	1828853-2
RED	1828853-1
KEYED HOUSING COLOR	PART NO.

THIS DRAWING IS A CONTROLLED DOCUMENT FOR TYCO ELECTRONICS CORPORATION. IT IS SUBJECT TO CHANGE AND THE CONTROLLING ENGINEERING ORGANIZATION SHOULD BE CONTACTED FOR THE LATEST REVISION.		DWN D. ERDMAN 11AUG05	Tyco Electronics Harrisburg, PA 17105-3608	
DIMENSIONS: mm		CHK M. GURRERI 11AUG05	NAME KIT, CONNECTOR, LightCrimp Plus LC SECURE, SIMPLEX, MM50	
TOLERANCES UNLESS OTHERWISE SPECIFIED: 0 PLC ± 1 PLC ± 2 PLC ± 3 PLC ± 4 PLC ± ANGLES ± FINISH		APVD D. BAECHEL 11AUG05	PRODUCT SPEC -	RESTRICTED TO -
MATERIAL		APPLICATION SPEC -	WEIGHT -	SIZE A2
		CUSTOMER DRAWING		CAGE CODE 00779
		SCALE 4:1		DRAWING NO. 1828853
		SHEET 1		REV B