



Chipsmall Limited consists of a professional team with an average of over 10 year of expertise in the distribution of electronic components. Based in Hongkong, we have already established firm and mutual-benefit business relationships with customers from,Europe,America and south Asia,supplying obsolete and hard-to-find components to meet their specific needs.

With the principle of "Quality Parts,Customers Priority,Honest Operation,and Considerate Service",our business mainly focus on the distribution of electronic components. Line cards we deal with include Microchip,ALPS,ROHM,Xilinx,Pulse,ON,Everlight and Freescale. Main products comprise IC,Modules,Potentiometer,IC Socket,Relay,Connector.Our parts cover such applications as commercial,industrial, and automotives areas.

We are looking forward to setting up business relationship with you and hope to provide you with the best service and solution. Let us make a better world for our industry!



## Contact us

Tel: +86-755-8981 8866 Fax: +86-755-8427 6832

Email & Skype: info@chipsmall.com Web: www.chipsmall.com

Address: A1208, Overseas Decoration Building, #122 Zhenhua RD., Futian, Shenzhen, China



THIS DRAWING IS UNPUBLISHED. RELEASED FOR PUBLICATION 20  
 © COPYRIGHT 20 BY TYCO ELECTRONICS CORPORATION. ALL RIGHTS RESERVED.

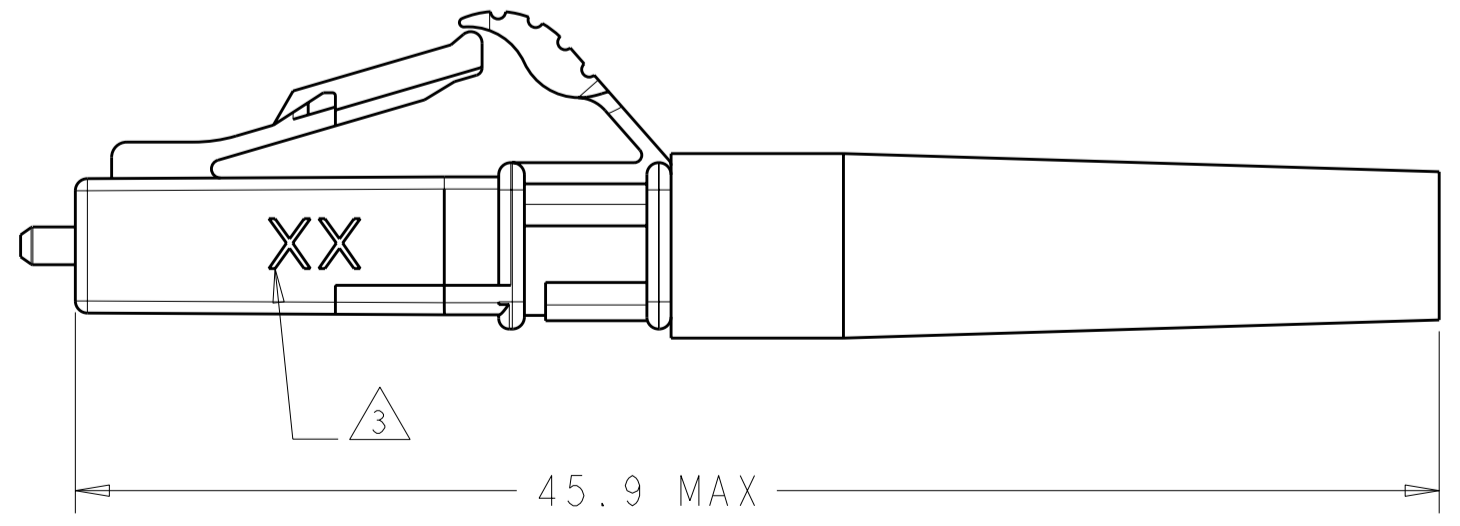
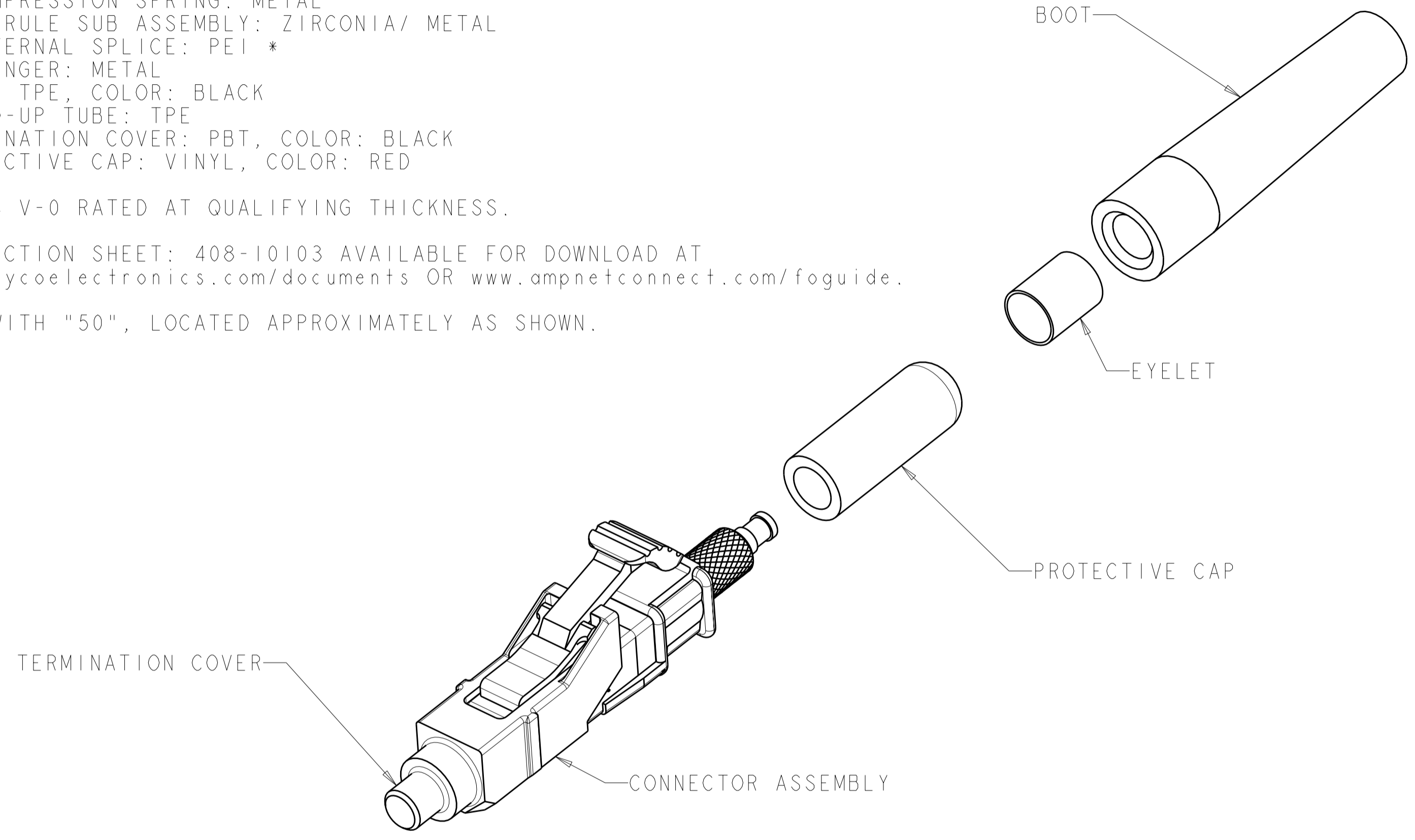
LOC	DIST	REVISIONS			
P	LTR	DESCRIPTION	DATE	DWN	APVD
CE	00				
	C	ECR-08-031868	29DEC2008	KG	SB
	CI	REVISE NOTE 2	16MAR2009	BB	SB

- 1 MATERIAL:  
 CONNECTOR ASSEMBLY:  
 CONNECTOR HOUSING: PPSU, COLOR: SEE -NO'S.\*  
 REAR BODY: METAL  
 COMPRESSION SPRING: METAL  
 FERRULE SUB ASSEMBLY: ZIRCONIA/ METAL  
 INTERNAL SPLICE: PEI \*  
 PLUNGER: METAL  
 BOOT: TPE, COLOR: BLACK  
 BUILD-UP TUBE: TPE  
 TERMINATION COVER: PBT, COLOR: BLACK  
 PROTECTIVE CAP: VINYL, COLOR: RED

\*UL94 V-0 RATED AT QUALIFYING THICKNESS.

2. INSTRUCTION SHEET: 408-10103 AVAILABLE FOR DOWNLOAD AT  
[www.tycoelectronics.com/documents](http://www.tycoelectronics.com/documents) OR [www.ampnetconnect.com/foguide](http://www.ampnetconnect.com/foguide).

3 MARK WITH "50", LOCATED APPROXIMATELY AS SHOWN.



SLATE	1-1828857-0
ORANGE	1828857-9
VIOLET	1828857-8
BROWN	1828857-7
AQUA	1828857-6
ROSE	1828857-5
BLUE	1828857-4
GREEN	1828857-3
YELLOW	1828857-2
RED	1828857-1
KEYED HOUSING COLOR	PART NO.

<small>THIS DRAWING IS A CONTROLLED DOCUMENT FOR TYCO ELECTRONICS CORPORATION. IT IS SUBJECT TO CHANGE AND THE CONTROLLING ENGINEERING ORGANIZATION SHOULD BE CONTACTED FOR THE LATEST REVISION.</small>		DWN E MCCORMICK 15MAR2007 CHK D ERDMAN 15MAR2007 APVD D BAECHTLE 15MAR2007	<b>Tyco Electronics</b> Tyco Electronics Harrisburg, PA 17105-3608
DIMENSIONS: mm 	TOLERANCES UNLESS OTHERWISE SPECIFIED: 0 PLC ± 1 PLC ± 2 PLC ± 3 PLC ± 4 PLC ± ANGLES ± FINISH	PRODUCT SPEC APPLICATION SPEC WEIGHT	NAME KIT, CONNECTOR, LightCrimp Plus LC SECURE, SIMPLEX, MM50, 1.6-2.0mm JACKET SIZE A2 CAGE CODE 00779 DRAWING NO. 1828857 RESTRICTED TO
MATERIAL 		CUSTOMER DRAWING	SCALE 4:1 SHEET 1 OF 1 REV C1