



Chipsmall Limited consists of a professional team with an average of over 10 year of expertise in the distribution of electronic components. Based in Hongkong, we have already established firm and mutual-benefit business relationships with customers from,Europe,America and south Asia,supplying obsolete and hard-to-find components to meet their specific needs.

With the principle of “Quality Parts,Customers Priority,Honest Operation,and Considerate Service”,our business mainly focus on the distribution of electronic components. Line cards we deal with include Microchip,ALPS,ROHM,Xilinx,Pulse,ON,Everlight and Freescale. Main products comprise IC,Modules,Potentiometer,IC Socket,Relay,Connector.Our parts cover such applications as commercial,industrial, and automotives areas.

We are looking forward to setting up business relationship with you and hope to provide you with the best service and solution. Let us make a better world for our industry!



Contact us

Tel: +86-755-8981 8866 Fax: +86-755-8427 6832

Email & Skype: info@chipsmall.com Web: www.chipsmall.com

Address: A1208, Overseas Decoration Building, #122 Zhenhua RD., Futian, Shenzhen, China



THIS DRAWING IS UNPUBLISHED. RELEASED FOR PUBLICATION 20
 © COPYRIGHT 20 BY TYCO ELECTRONICS CORPORATION. ALL RIGHTS RESERVED.

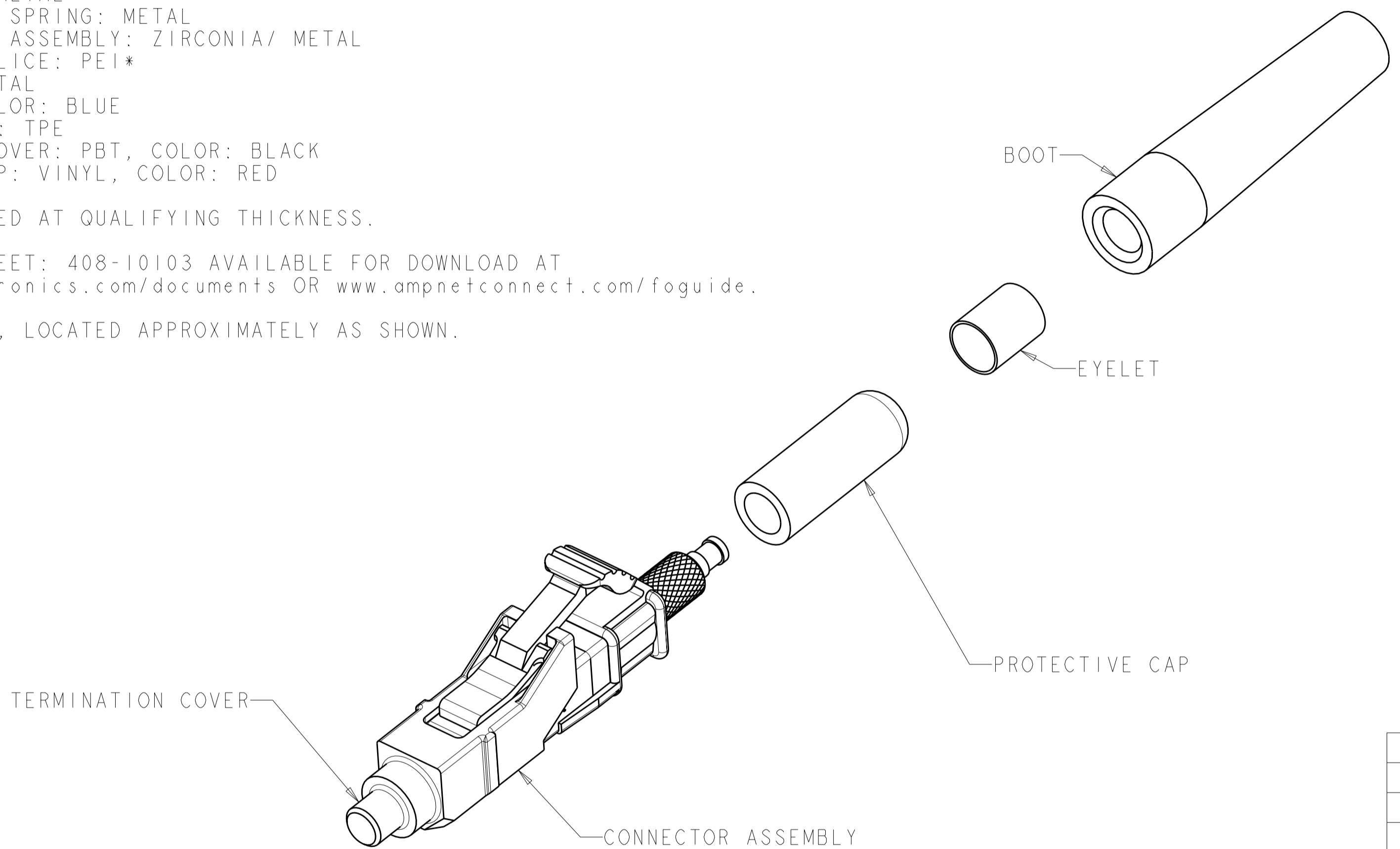
LOC	DIST	REVISIONS			
P	LTR	DESCRIPTION	DATE	DWN	APVD
CE	00				
	C	ECR-08-031868	30DEC2008	KG	SB
	CI	REVISE NOTE 2	16MAR2009	BB	SB

1 MATERIAL:
 CONNECTOR ASSEMBLY:
 CONNECTOR HOUSING: PPSU, COLOR: SEE -NO'S*
 REAR BODY: METAL
 COMPRESSION SPRING: METAL
 FERRULE SUB ASSEMBLY: ZIRCONIA/ METAL
 INTERNAL SPLICE: PEI*
 PLUNGER: METAL
 BOOT: TPE, COLOR: BLUE
 BUILD-UP TUBE: TPE
 TERMINATION COVER: PBT, COLOR: BLACK
 PROTECTIVE CAP: VINYL, COLOR: RED

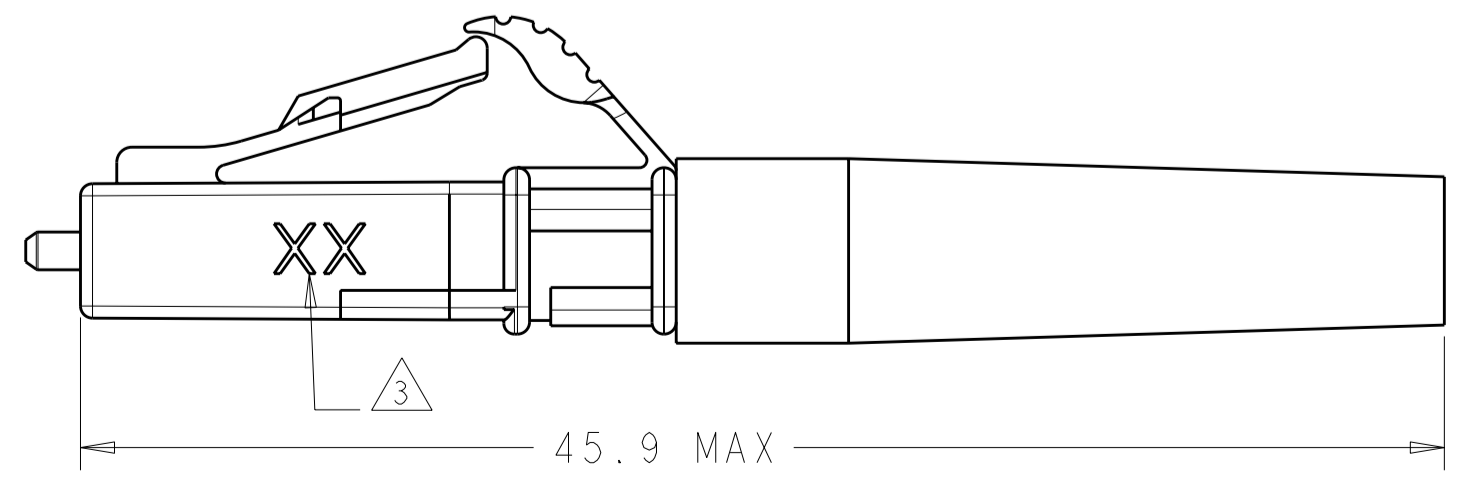
*UL94 V-0 RATED AT QUALIFYING THICKNESS.

2. INSTRUCTION SHEET: 408-10103 AVAILABLE FOR DOWNLOAD AT
www.tycoelectronics.com/documents OR www.ampnetconnect.com/foguide.

3 MARK WITH "SM", LOCATED APPROXIMATELY AS SHOWN.



SLATE	1-1828860-0
ORANGE	1828860-9
VIOLET	1828860-8
BROWN	1828860-7
AQUA	1828860-6
ROSE	1828860-5
BLUE	1828860-4
GREEN	1828860-3
YELLOW	1828860-2
RED	1828860-1
KEYED HOUSING COLOR	PART NO.



THIS DRAWING IS A CONTROLLED DOCUMENT FOR TYCO ELECTRONICS CORPORATION. IT IS SUBJECT TO CHANGE AND THE CONTROLLING ENGINEERING ORGANIZATION SHOULD BE CONTACTED FOR THE LATEST REVISION.

DWN	E MCCORMICK	16MAR2007	Tyco Electronics Harrisburg, PA 17105-3608
CHK	D ERDMAN	16MAR2007	
APVD	D BAECHEL	16MAR2007	
PRODUCT SPEC			
APPLICATION SPEC			NAME KIT, CONNECTOR, LightCrimp Plus LC SECURE, SIMPLEX, SM, 1.6-2.0mm JACKET
WEIGHT			SIZE A2
CUSTOMER DRAWING			CAGE CODE 00779
			DRAWING NO 1828860
			RESTRICTED TO -
			SCALE 4:1
			SHEET 1
			OF 1
			REV CI