



Chipsmall Limited consists of a professional team with an average of over 10 year of expertise in the distribution of electronic components. Based in Hongkong, we have already established firm and mutual-benefit business relationships with customers from,Europe,America and south Asia,supplying obsolete and hard-to-find components to meet their specific needs.

With the principle of “Quality Parts,Customers Priority,Honest Operation,and Considerate Service”,our business mainly focus on the distribution of electronic components. Line cards we deal with include Microchip,ALPS,ROHM,Xilinx,Pulse,ON,Everlight and Freescale. Main products comprise IC,Modules,Potentiometer,IC Socket,Relay,Connector.Our parts cover such applications as commercial,industrial, and automotives areas.

We are looking forward to setting up business relationship with you and hope to provide you with the best service and solution. Let us make a better world for our industry!



Contact us

Tel: +86-755-8981 8866 Fax: +86-755-8427 6832

Email & Skype: info@chipsmall.com Web: www.chipsmall.com

Address: A1208, Overseas Decoration Building, #122 Zhenhua RD., Futian, Shenzhen, China

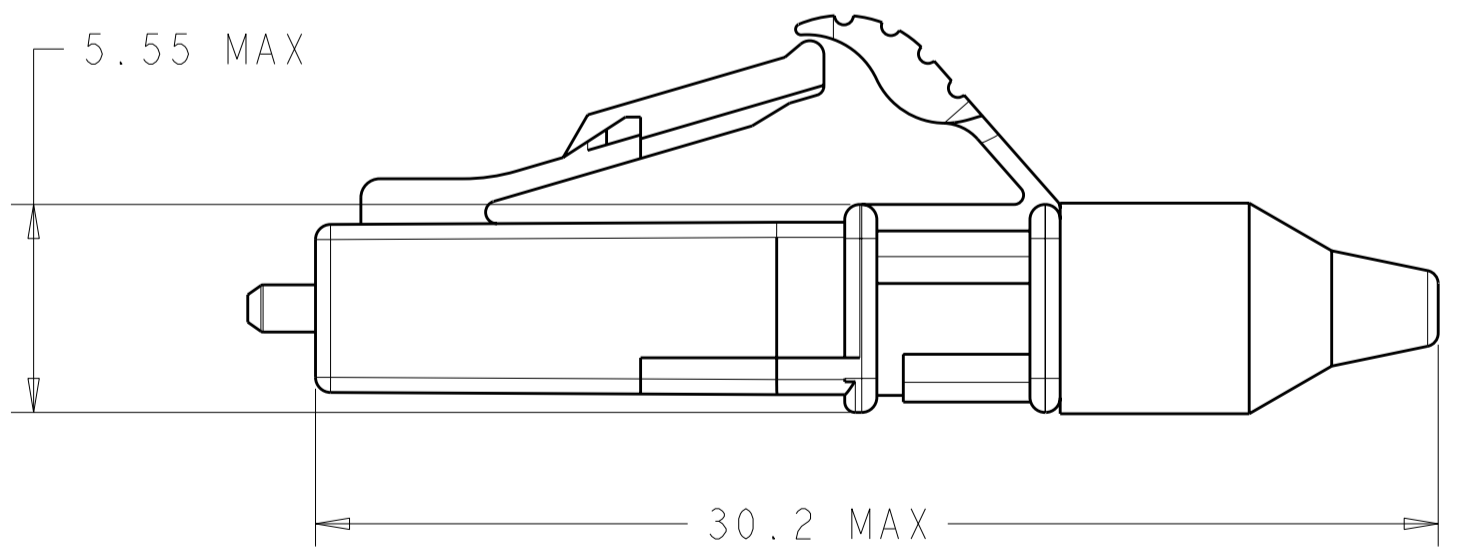
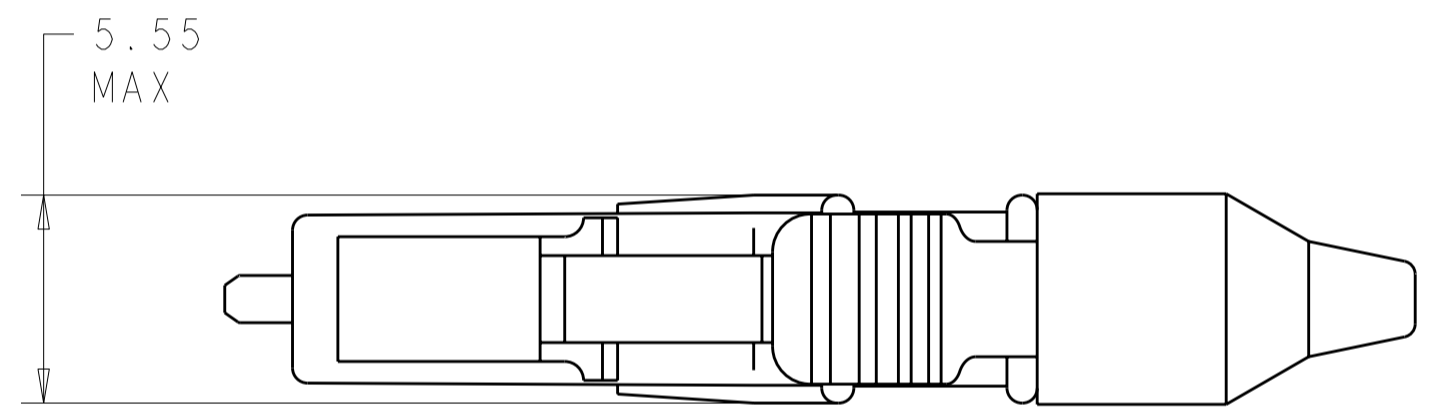
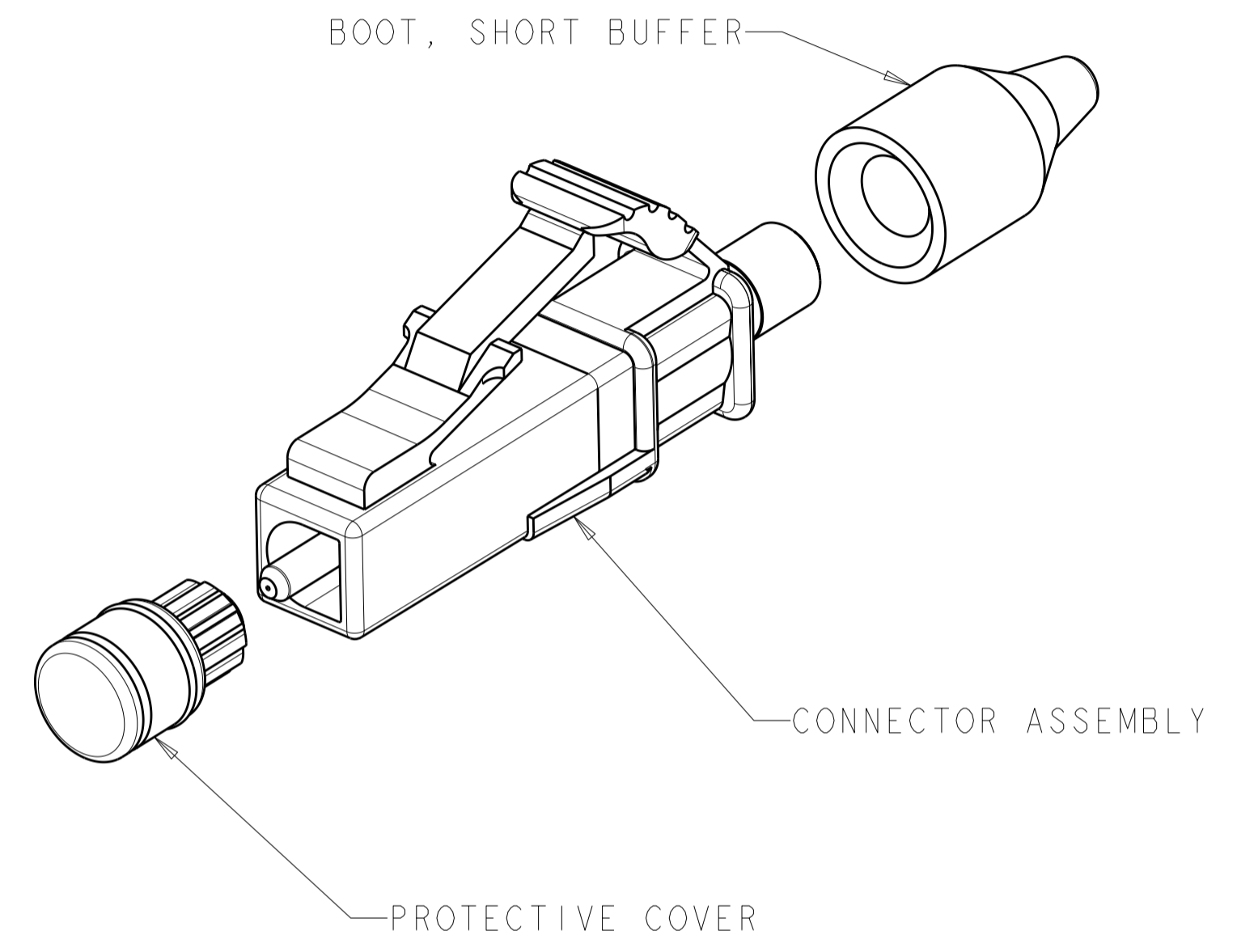


THIS DRAWING IS UNPUBLISHED. RELEASED FOR PUBLICATION 20
 © COPYRIGHT 20 BY TYCO ELECTRONICS CORPORATION. ALL RIGHTS RESERVED.

LOC	DIST	REVISIONS			
P	LTR	DESCRIPTION	DATE	DWN	APVD
CE	00				
	B2	REVISE NOTE 2	12MAR2009	BB	SB
	C	REVISED PER ECR 10-007692	06MAY2010	DLF	CB

⚠ MATERIAL: PROTECTIVE COVER: TPE, COLOR: BLACK, UL 94 V-0. *
 FERRULE SUB ASSEMBLY: ZIRCONIA/METAL.
 COMPRESSION SPRING: STAINLESS STEEL.
 HOUSING: PPSU, COLOR:SEE DASH NO'S.
 INNER TUBING: PTFE, COLOR:CLEAR, UL VW-1.
 REAR BODY : METAL
 BOOT: TPE, COLOR:BEIGE, UL 94 V-0. *
 *RATED AT QUALIFYING THICKNESS.

2. INSTRUCTION SHEET: 408-8675 AVAILABLE FOR DOWNLOAD AT
www.tycoelectronics.com/documents OR www.ampnetconnect.com/foguide.



SLATE	1-1828861-0
ORANGE	1828861-9
VIOLET	1828861-8
BROWN	1828861-7
AQUA	1828861-6
ROSE	1828861-5
BLUE	1828861-4
GREEN	1828861-3
YELLOW	1828861-2
RED	1828861-1
COLOR	PART NO

<small>THIS DRAWING IS A CONTROLLED DOCUMENT FOR TYCO ELECTRONICS CORPORATION IT IS SUBJECT TO CHANGE AND THE CONTROLLING ENGINEERING ORGANIZATION SHOULD BE CONTACTED FOR THE LATEST REVISION.</small>		DWN 22FEB2006 D. ERDMAN CHK 22FEB2006 M. GURRERI APVD 22FEB2006 D. BAECHTLE	Tyco Electronics Harrisburg, PA 17105-3608
DIMENSIONS: MM/[IN]	TOLERANCES UNLESS OTHERWISE SPECIFIED: 0 PLC ± 1 PLC ±0.1/[0.004] 2 PLC ±0.01/[0.0004] 3 PLC ± 4 PLC ± ANGLES ± FINISH	PRODUCT SPEC APPLICATION SPEC WEIGHT	NAME CONNECTOR KIT, LC, SECURE, SIMPLEX, MM, 900um BUFFER
MATERIAL ⚠	CUSTOMER DRAWING	SIZE A2 CAGE CODE 00779 DRAWING NO. 1828861	RESTRICTED TO SCALE 5:1 SHEET 1 OF 1 REV C