



Chipsmall Limited consists of a professional team with an average of over 10 year of expertise in the distribution of electronic components. Based in Hongkong, we have already established firm and mutual-benefit business relationships with customers from,Europe,America and south Asia,supplying obsolete and hard-to-find components to meet their specific needs.

With the principle of “Quality Parts,Customers Priority,Honest Operation,and Considerate Service”,our business mainly focus on the distribution of electronic components. Line cards we deal with include Microchip,ALPS,ROHM,Xilinx,Pulse,ON,Everlight and Freescale. Main products comprise IC,Modules,Potentiometer,IC Socket,Relay,Connector.Our parts cover such applications as commercial,industrial, and automotives areas.

We are looking forward to setting up business relationship with you and hope to provide you with the best service and solution. Let us make a better world for our industry!



## Contact us

Tel: +86-755-8981 8866 Fax: +86-755-8427 6832

Email & Skype: info@chipsmall.com Web: www.chipsmall.com

Address: A1208, Overseas Decoration Building, #122 Zhenhua RD., Futian, Shenzhen, China



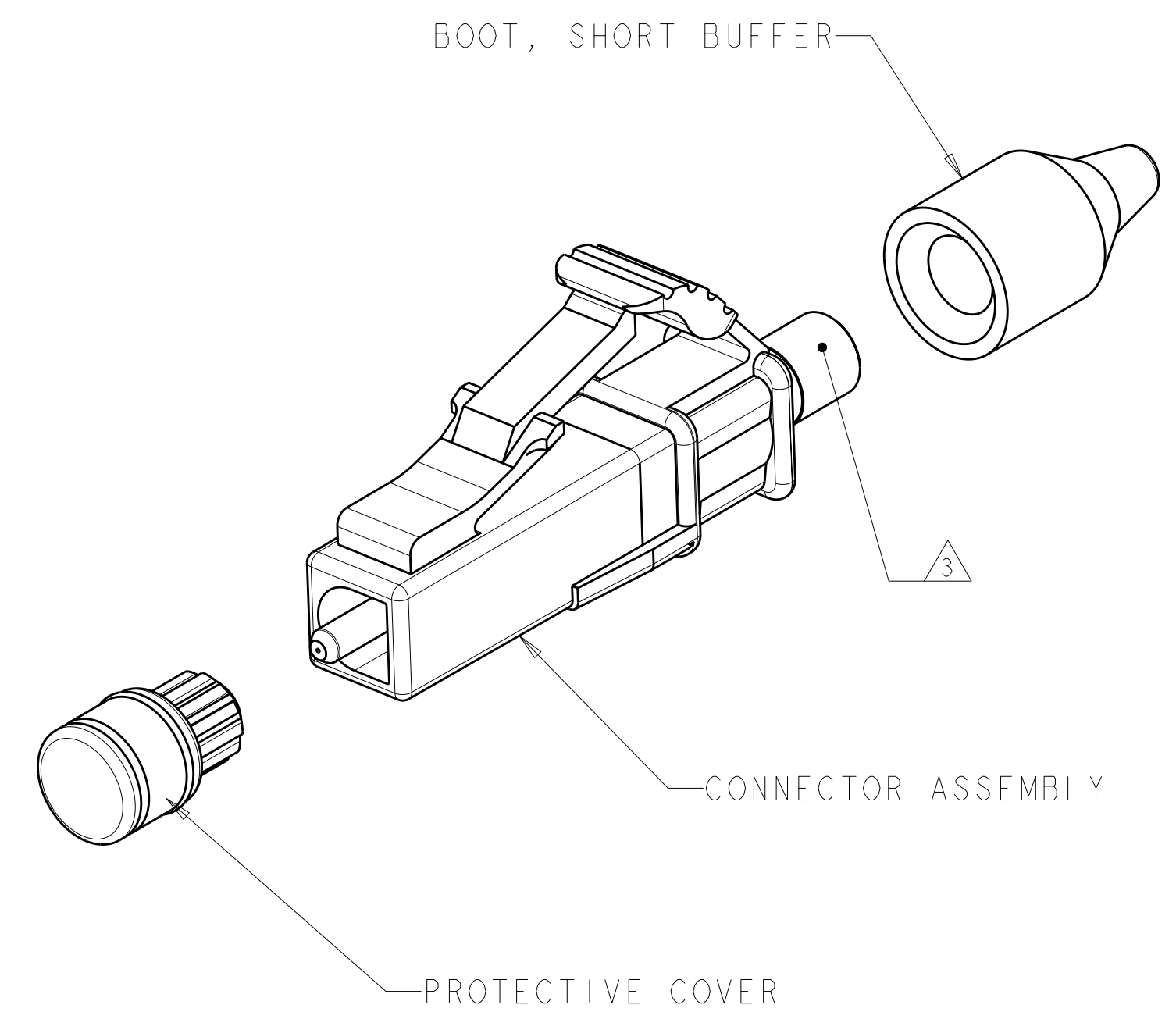
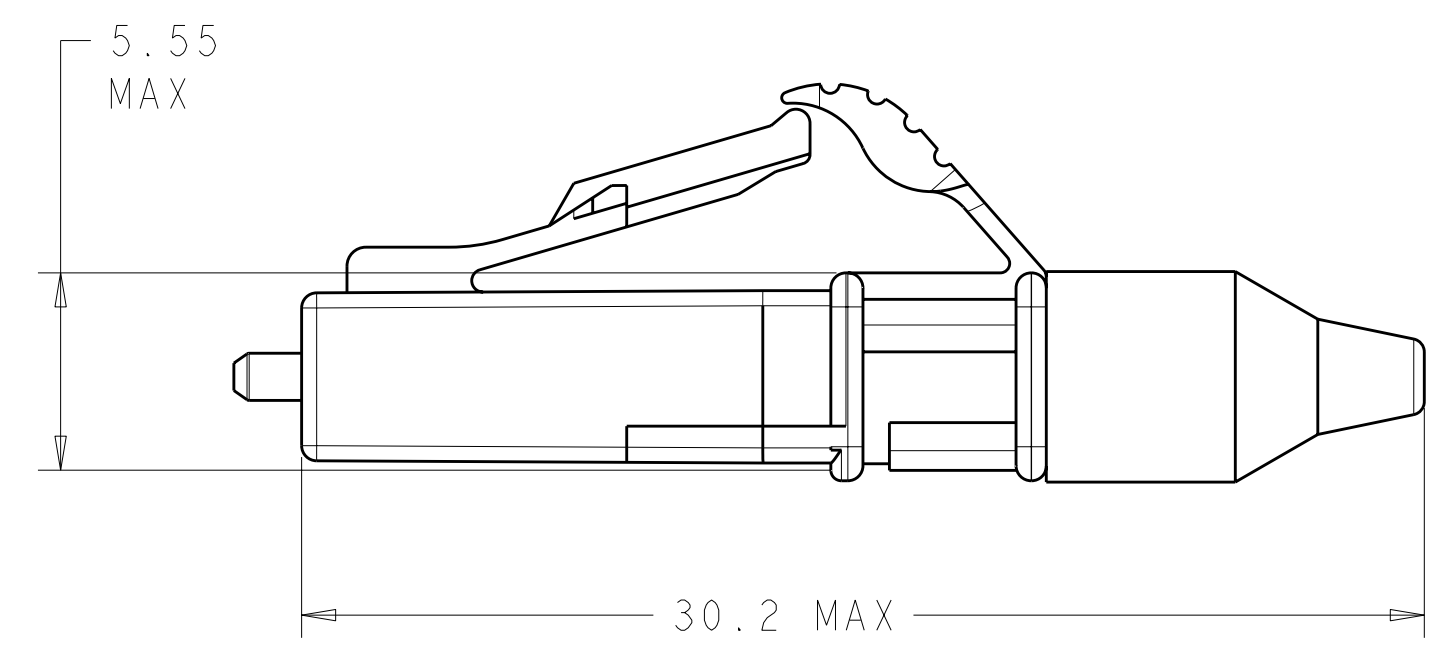
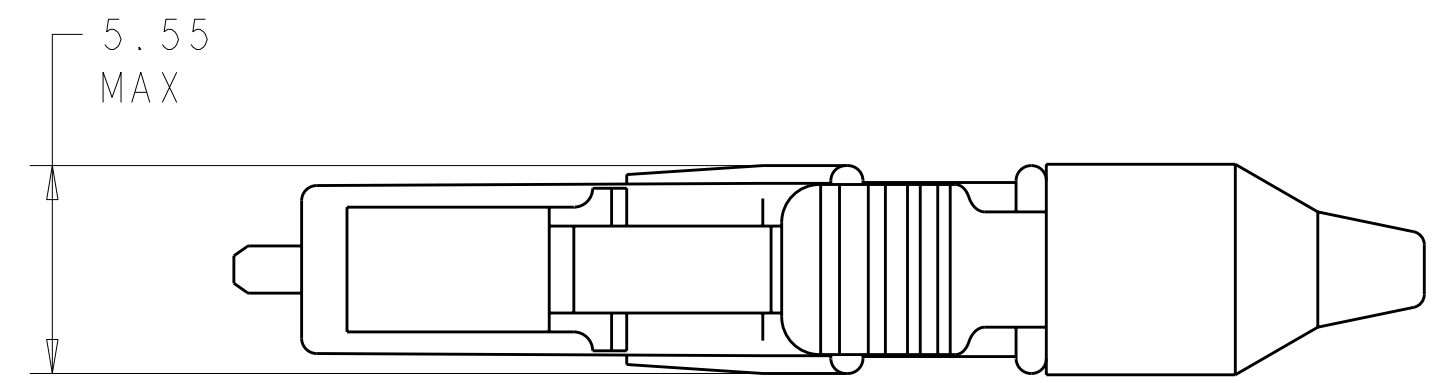
THIS DRAWING IS UNPUBLISHED. RELEASED FOR PUBLICATION 20  
 © COPYRIGHT 20 BY TYCO ELECTRONICS CORPORATION. ALL RIGHTS RESERVED.

| LOC | DIST | REVISIONS   |                           |           |        |
|-----|------|-------------|---------------------------|-----------|--------|
| P   | LTR  | DESCRIPTION | DATE                      | DWN       | APVD   |
| CE  | 00   | B2          | REVISE NOTE 2             | 12MAR2009 | BB SB  |
|     |      | C           | REVISED PER ECR 10-007692 | 06MAY2010 | DLF CB |

1 MATERIAL: PROTECTIVE COVER: TPE, COLOR: BLACK, UL94 V-0\*  
 FERRULE SUB ASSEMBLY: ZIRCONIA/METAL.  
 COMPRESSION SPRING: STAINLESS STEEL.  
 HOUSING: PPSU, COLOR:SEE DASH NO'S.  
 INNER TUBING: PTFE, COLOR: CLEAR, UL VW-1.  
 REAR BODY: METAL  
 BOOT: TPE, COLOR:BLUE, UL94 V-0\*  
 \*RATED AT QUALIFYING THICKNESS.

2. INSTRUCTION SHEET: 408-8675 AVAILABLE FOR DOWNLOAD AT  
[www.tycoelectronics.com/documents](http://www.tycoelectronics.com/documents) OR [www.ampnetconnect.com/foguide](http://www.ampnetconnect.com/foguide).

3 BLACK DOT SIGNIFIES SINGLEMODE.



|        |             |
|--------|-------------|
| SLATE  | 1-1828862-0 |
| ORANGE | 1828862-9   |
| VIOLET | 1828862-8   |
| BROWN  | 1828862-7   |
| AQUA   | 1828862-6   |
| ROSE   | 1828862-5   |
| BLUE   | 1828862-4   |
| GREEN  | 1828862-3   |
| YELLOW | 1828862-2   |
| RED    | 1828862-1   |
| COLOR  | PART NO     |

|   |  |                                  |   |                    |
|---|--|----------------------------------|---|--------------------|
| THIS DRAWING IS A CONTROLLED DOCUMENT FOR TYCO ELECTRONICS CORPORATION. IT IS SUBJECT TO CHANGE AND THE CONTROLLING ENGINEERING ORGANIZATION SHOULD BE CONTACTED FOR THE LATEST REVISION. |  | DWN<br>D. ERDMAN<br>22FEB2006    | Tyco Electronics<br>Harrisburg, PA 17105-3608                   |                    |
| DIMENSIONS:<br>mm   |  | CHK<br>M. GURRERI<br>22FEB2006   | NAME<br>KIT, CONNECTOR, LC SECURE.<br>SIMPLEX, SM, 900um BUFFER |                    |
| TOLERANCES UNLESS OTHERWISE SPECIFIED:<br>0 PLC ±<br>1 PLC ±0.1<br>2 PLC ±0.01<br>3 PLC ±<br>4 PLC ±<br>ANGLES ±<br>FINISH  |  | APVD<br>D. BAECHTLE<br>22FEB2006 | RESTRICTED TO   |                    |
| MATERIAL  |  | PRODUCT SPEC<br>-                | SIZE<br>A2  | CAGE CODE<br>00779 |
| -   |  | APPLICATION SPEC<br>-            | DRAWING NO<br>1828862   | REV<br>C           |
| -   |  | WEIGHT<br>-                      | SCALE 5:1 SHEET 1 OF 1  |                    |
| -   |  | CUSTOMER DRAWING                 |   |                    |