



Chipsmall Limited consists of a professional team with an average of over 10 year of expertise in the distribution of electronic components. Based in Hongkong, we have already established firm and mutual-benefit business relationships with customers from,Europe,America and south Asia,supplying obsolete and hard-to-find components to meet their specific needs.

With the principle of "Quality Parts,Customers Priority,Honest Operation,and Considerate Service",our business mainly focus on the distribution of electronic components. Line cards we deal with include Microchip,ALPS,ROHM,Xilinx,Pulse,ON,Everlight and Freescale. Main products comprise IC,Modules,Potentiometer,IC Socket,Relay,Connector.Our parts cover such applications as commercial,industrial, and automotives areas.

We are looking forward to setting up business relationship with you and hope to provide you with the best service and solution. Let us make a better world for our industry!



Contact us

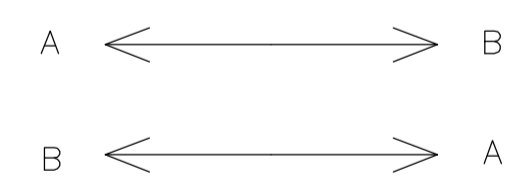
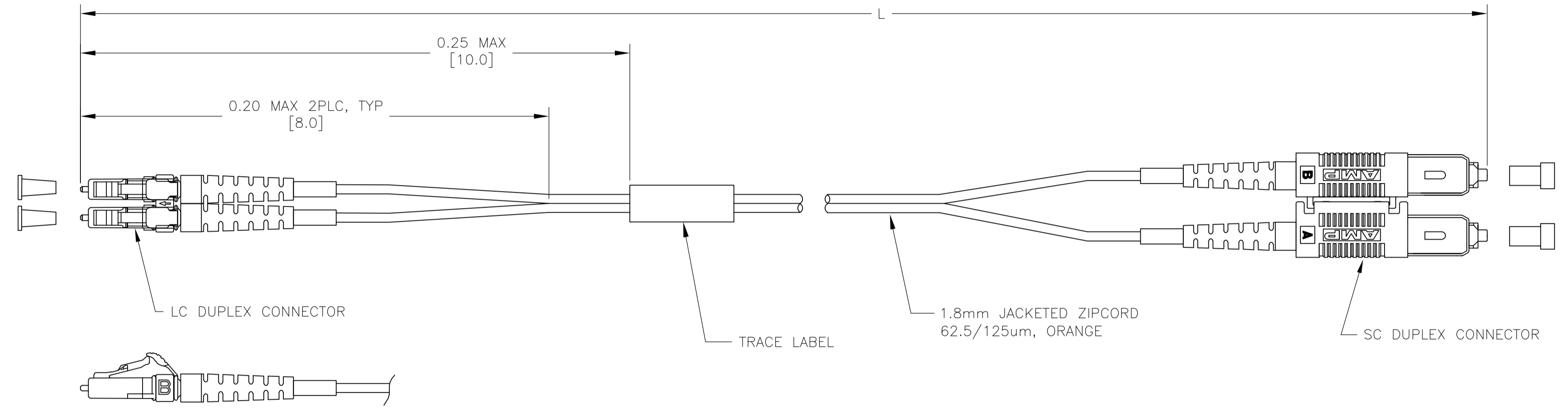
Tel: +86-755-8981 8866 Fax: +86-755-8427 6832

Email & Skype: info@chipsmall.com Web: www.chipsmall.com

Address: A1208, Overseas Decoration Building, #122 Zhenhua RD., Futian, Shenzhen, China



△ MAXIMUM CONNECTOR INSERTION LOSS IS 0.5 dB
 PLUS CABLE ATTENUATION OF 1.5 dB/km
 at 1300nm. (SEE TABLE)



0.53	20.00±0.30 [787.0±12.0]	2-1828875-0
0.50	15±0.15 [590.6±6.0]	1-1828875-5
0.50	10±0.15 [393.7±6.0]	1-1828875-0
0.50	5.00±0.08 [196.9±3.0]	1828875-5
0.50	4.00±0.08 [157.5±3.0]	1828875-4
0.50	3.00±0.05 [122.8±2.0]	1828875-3
0.50	2.00±0.05 [78.7±2.0]	1828875-2
0.50	1.00±0.05 [39.4±2.0]	1828875-1
△ CONNECTOR LOSS (dB)	L	PART NUMBER

THIS DRAWING IS A CONTROLLED DOCUMENT.		DWN KATHY HE 19SEP05	Tyco Electronics Corporation Harrisburg Pa, 17105-3608	
DIMENSIONS: METERS [INCHES]		CHK RECHARD ZHAO 19SEP05	AMP	
TOLERANCES UNLESS OTHERWISE SPECIFIED:		APVD J. DUNCAN 19SEP05	NAME CABLE ASSEMBLY, LC-SECURE/SC,DUPLEX 1.8mm ZIP, 62.5/125um, BLUE	
0 PLC ± - 1 PLC ± - 2 PLC ± - 3 PLC ± - 4 PLC ± - ANGLES ± - FINISH		PRODUCT SPEC APPLICATION SPEC	SIZE A2	RESTRICTED TO
MATERIAL		WEIGHT	CAGE CODE 00779	DRAWING NO 1828875
		CUSTOMER DRAWING		SCALE NTS
		SHEET 1 OF 1		REV A