



Chipsmall Limited consists of a professional team with an average of over 10 year of expertise in the distribution of electronic components. Based in Hongkong, we have already established firm and mutual-benefit business relationships with customers from,Europe,America and south Asia,supplying obsolete and hard-to-find components to meet their specific needs.

With the principle of “Quality Parts,Customers Priority,Honest Operation,and Considerate Service”,our business mainly focus on the distribution of electronic components. Line cards we deal with include Microchip,ALPS,ROHM,Xilinx,Pulse,ON,Everlight and Freescale. Main products comprise IC,Modules,Potentiometer,IC Socket,Relay,Connector.Our parts cover such applications as commercial,industrial, and automotives areas.

We are looking forward to setting up business relationship with you and hope to provide you with the best service and solution. Let us make a better world for our industry!



## Contact us

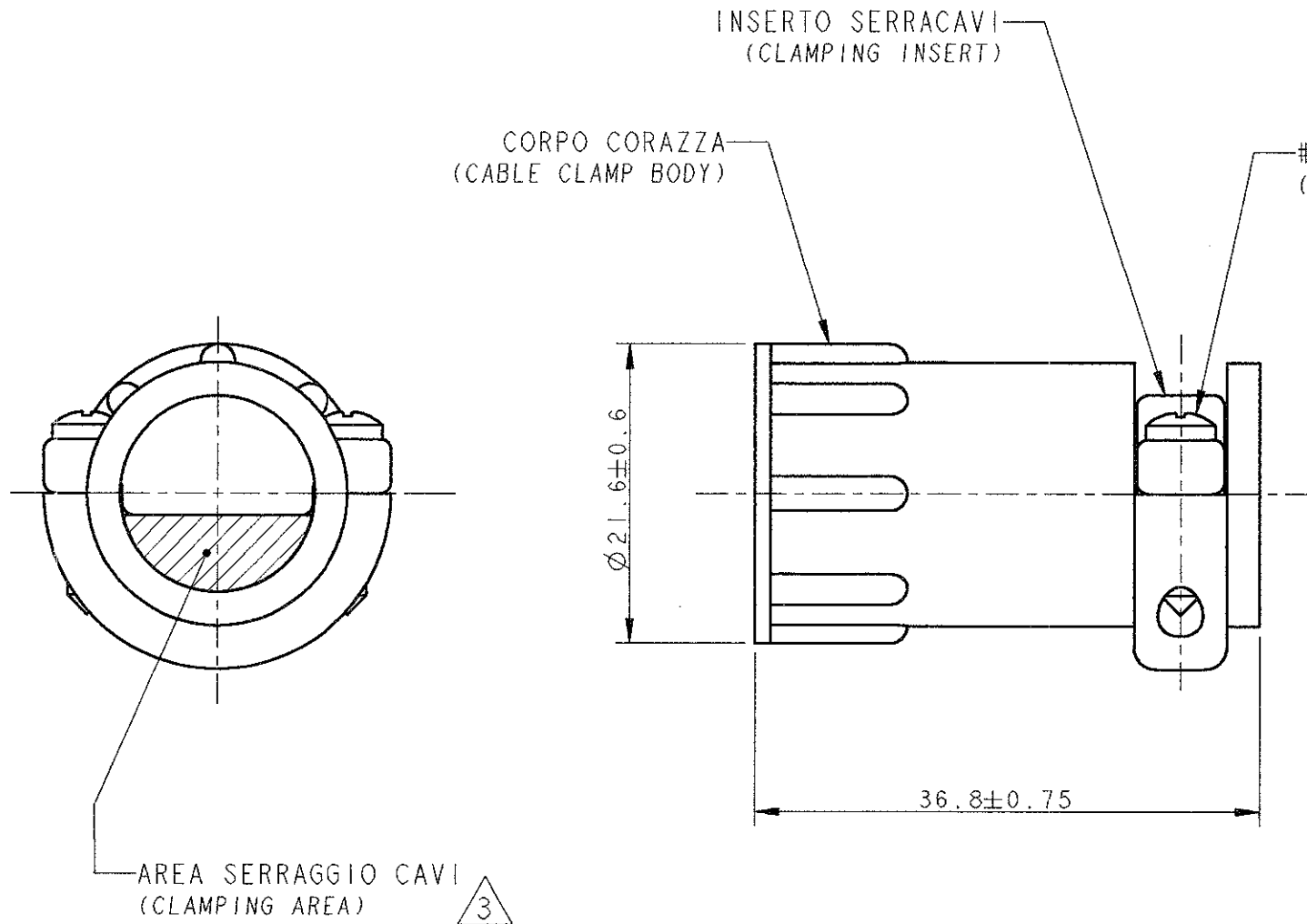
Tel: +86-755-8981 8866 Fax: +86-755-8427 6832

Email & Skype: info@chipsmall.com Web: www.chipsmall.com

Address: A1208, Overseas Decoration Building, #122 Zhenhua RD., Futian, Shenzhen, China



LOC	DIST	REVISIONS			
P	LTR	DESCRIPTION	DATE	DWN	APVD
		A1 REDRAWN, ET00-0298-00	17 Nov '00	RE	GT
		B Changed screw according to RoHS	28/07/05 ECR7789	AV	GT



- 1) MATERIALE : TERMOPLASTICO, COLORE NERO  
(MATERIAL : THERMOPLASTIC, BLACK COLOUR)
- 2) PARTICOLARI FORNITI NON ASSEMBLATI IN SACCHETTO DI PLASTICA  
(PARTS PACKAGED UNASSEMBLED INTO A PLASTIC BAG)
- 3) L'AREA SERRAGGIO CAVI E' VARIABILE DA 6.45 A 103.9 mm<sup>2</sup>  
IN FUNZIONE DEL TIPO E POSIZIONE DELL'INSERTO SERRACAVO  
(CABLE CLAMPING AREA ADJUSTABLE FROM .010 TO .161 SQ. IN.  
BY SELECTING AND REVERSING CLAMPING INSERTS)
- 4) QUESTO CONNETTORE E' RICONOSCIUTO E CERTIFICATO   
(THIS CONNECTOR IS UL RECOGNIZED AND CSA CERTIFIED)
- 5) Ø MAX DEL FASCIO CAVI = 11.5 mm.  
(MAXIMUM CABLE O.D. = 11.5 mm.)

P/N 182928-1 COME RAPPRESENTATO  
(P/N 182928-1 AS SHOWN)

<small>THIS DRAWING IS A CONTROLLED DOCUMENT FOR AMP INCORPORATED. IT IS SUBJECT TO CHANGE AND THE CONTROLLING ENGINEERING ORGANIZATION SHOULD BE CONTACTED FOR THE LATEST REVISION.</small>		DWN R. FABRIS CHR - APVD C. TARTARI PRODUCT SPEC 108-10024 APPLICATION SPEC - WEIGHT - CUSTOMER DRAWING	<b>AMP</b> AMP Italia S.p.A. C.so F.lli Cervi, 15 COLLEGNO (TO)
DIMENSIONS: mm 	TOLERANCES UNLESS OTHERWISE SPECIFIED: 0 PLC ± 1 PLC ± ±0.3 2 PLC ± ± 3 PLC ± ± 4 PLC ± ± ANGLES ±2°	NAME C.P.C. CABLE CLAMP KIT SIZE II (LARGE)	SIZE A3 CAGE CODE 00779 DRAWING NO C-182928
MATERIAL	FINISH	SCALE	SHEET 1 OF 1 REV B