



Chipsmall Limited consists of a professional team with an average of over 10 year of expertise in the distribution of electronic components. Based in Hongkong, we have already established firm and mutual-benefit business relationships with customers from,Europe,America and south Asia,supplying obsolete and hard-to-find components to meet their specific needs.

With the principle of "Quality Parts,Customers Priority,Honest Operation,and Considerate Service",our business mainly focus on the distribution of electronic components. Line cards we deal with include Microchip,ALPS,ROHM,Xilinx,Pulse,ON,Everlight and Freescale. Main products comprise IC,Modules,Potentiometer,IC Socket,Relay,Connector.Our parts cover such applications as commercial,industrial, and automotives areas.

We are looking forward to setting up business relationship with you and hope to provide you with the best service and solution. Let us make a better world for our industry!



Contact us

Tel: +86-755-8981 8866 Fax: +86-755-8427 6832

Email & Skype: info@chipsmall.com Web: www.chipsmall.com

Address: A1208, Overseas Decoration Building, #122 Zhenhua RD., Futian, Shenzhen, China



SCALA NON IMPEGNATIVA
(DO NOT SCALE)
DIMENSIONI IN mm
(DIMENSIONS IN mm)

METRIC

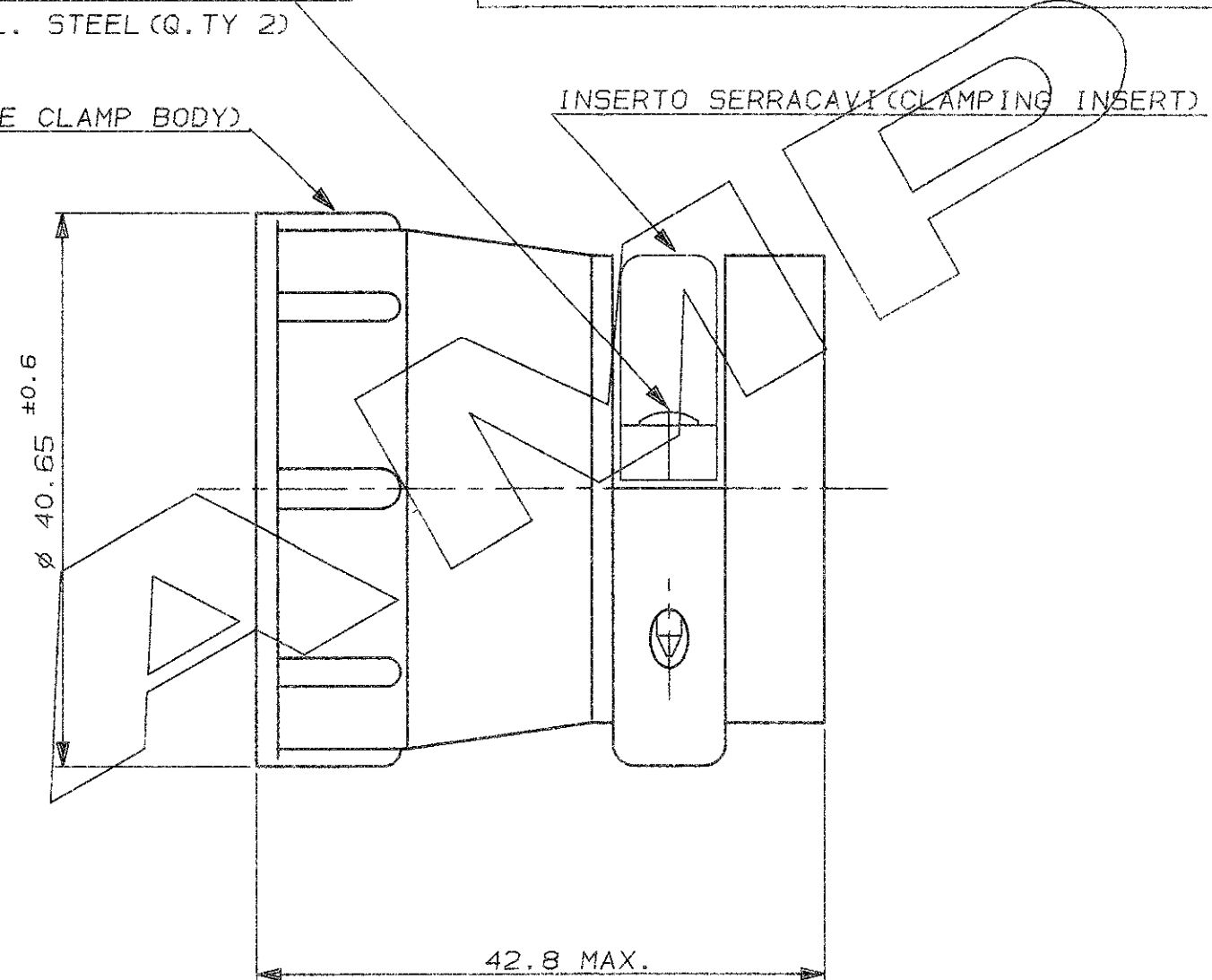
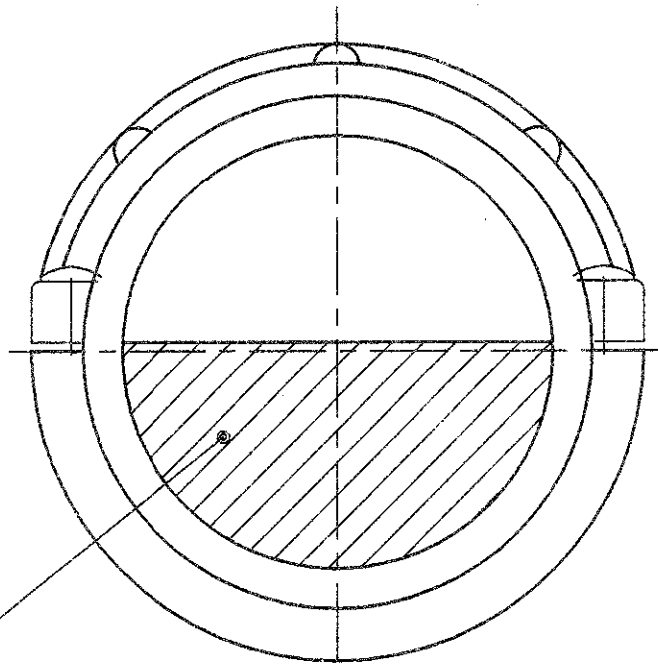
PROIEZIONE EUROPEA
(EUROPEAN PROJECTION)

IL DISEGNO INDICA IL P.N. 182930-1
(P.N. 182930-1 AS SHOWN)

#5-20 VITI AUTOFILETTANTI IN ACC. ZINCATO (Q.TA' 2)
#5-20 SELF-TAPPING SCREWS, ZINC PL. STEEL (Q.TY 2)

CORPO CORAZZA (CABLE CLAMP BODY)

INSERTO SERRACAIVI (CLAMPING INSERT)



AREA SERRAGGIO CAVI (CLAMPING AREA) 3

NOTE (NOTES)

1. MATERIALE (MATL.): TERMOPLASTICO COLORE NERO (THERMOPLASTIC, BLACK COLOR).
2. PARTICOLARI FORNITI NON ASSEMBLATI IN SACCHETTO DI PLASTICA (PARTS PACKAGED UNASSEMBLED INTO A PLASTIC BAG).
3. L'AREA SERRAGGIO CAVI E' VARIABILE DA 168.4 A 368.4 MM² IN FUNZIONE DEL TIPO E POSIZIONE DELL'INSERTO SERRACAIVO. (CABLE CLAMPING AREA ADJUSTABLE FROM .261 TO .571 SQ. IN. BY SELECTING AND REVERSING CLAMPING INSERTS).
4. QUESTO ACCESSORIO E' APPROVATO E CERTIFICATO (THIS CONNECTOR IS APPROVED AND CERTIFIED.)
5. Ø MAX. DEL FASCIO DI CAVI = 28.5 (MAXIMUM CABLE O.D. = 28.5)
6. NON ANCORA IN PRODUZIONE (NOT YET RELEASED FOR PRODUCTION).
7. DIFFERENTE DAL P.N. 182930-1 PER IL CONFEZIONAMENTO, I COMPONENTI 1-2 E 3 VENGONO CONFEZIONATI SEPARATAMENTE IN SACCHETTI CONTENENTI IL QUANTITATIVO DI PEZZI NECESSARIO A COMPORRE 75 CABLE CLAMPS NELLA FASE DI ASSEMBLAGGIO A CURA DEL CLIENTE, I SACCHETTI SONO POSTI IN APPOSITA SCATOLA DI RAGGRUPPAMENTO (DIFFERENT FROM P.N. 182658-1 FOR PACKAGING ONLY, ITEMS 1, 2 AND 3 SUPPLIED IN PLASTIC BAGS SEPARATELY, EACH BAG INCLUDES THE RIGHT QUANTITY REQUIRED TO ASSEMBLY 75 CABLE CLAMP (CUSTOMER OPERATION). BAGS ARE PACKAGED IN A CARTON BOX).

8 OBSOLETE PARTS: OBSOLETE CIS STREAMLINING PER D.RENAUD/D.SINISI

| CODICE (PART NUM.) | DESCRIZIONE (DESCRIPTION) | NOTE (NOTES) |
|---------------------|---|--------------|
| 182930-2 | CPC CABLE CLAMP SIZE 11 BULK PKG. WITH 15.5mm (.62") LENGTH SELF-TAPPING SCREW. | 6 7 |
| 182930-1 | CPC CABLE CLAMP SIZE 11 KIT WITH 15.5mm (.62") LENGTH SELF-TAPPING SCREW. | 4 |

| | | | |
|--|---|--|---------------|
| CUSTOMER DRAWING FOR REFERENCE ONLY | | DISEGNO PER CLIENTE SOLO PER RIFERIMENTO | |
| THIS DRAWING IS UNPUBLISHED | | RELEASE FOR PUBLICATION 19 | |
| © COPYRIGHT 19 BY AMP INCORPORATED, HARRISBURG, PA. ALL INTERNATIONAL RIGHT RESERVED. AMP PRODUCTS MAY BE COVERED BY U.S. AND FOREIGN PATENT AND/OR PATENT PENDING | | | |
| TOLLERANZE, SE NON DIVERSAMENTE SPECIFICATO (TOLERANCES, UNLESS OTHERWISE SPECIFIED) | DIAM. ISOLANTE (INS. DIA. RANGE) | RANGO FILO (WIRE RANGE) | SCALA (SCALE) |
| ± 0.3 | - | - | - |
| ANGOLI (ANGLES) | AMP | | |
| ± 2° | AMP ITALIA S.p.A. Corso F.lli Cervi, 15 COLLEGNO (TORINO) | | |
| REV. C1 | DESCRIZIONE (DESCRIPTION) | C.P.C. CABLE CLAMP KIT, SIZE 23 (LARGE) | |
| REVISIONI (REVISION RECORD) | LOC. (DR.) | NUMERO (DWS. NO.) | REV. (REV.) |
| A | C. CORDOLA | 182930 | C2 |
| B | 22 JUNE 91 | 1 | D1 |
| C | 23-5-94 | 1 | 1 |
| D | RELEASED | | |

DISTRIBUZIONE (PRINT DIST.)