



Chipsmall Limited consists of a professional team with an average of over 10 year of expertise in the distribution of electronic components. Based in Hongkong, we have already established firm and mutual-benefit business relationships with customers from,Europe,America and south Asia,supplying obsolete and hard-to-find components to meet their specific needs.

With the principle of “Quality Parts,Customers Priority,Honest Operation,and Considerate Service”,our business mainly focus on the distribution of electronic components. Line cards we deal with include Microchip,ALPS,ROHM,Xilinx,Pulse,ON,Everlight and Freescale. Main products comprise IC,Modules,Potentiometer,IC Socket,Relay,Connector.Our parts cover such applications as commercial,industrial, and automotives areas.

We are looking forward to setting up business relationship with you and hope to provide you with the best service and solution. Let us make a better world for our industry!



## Contact us

Tel: +86-755-8981 8866 Fax: +86-755-8427 6832

Email & Skype: info@chipsmall.com Web: www.chipsmall.com

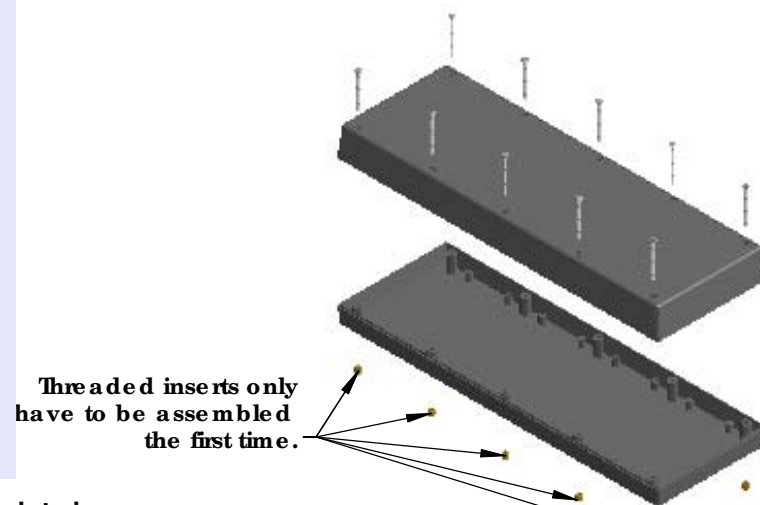
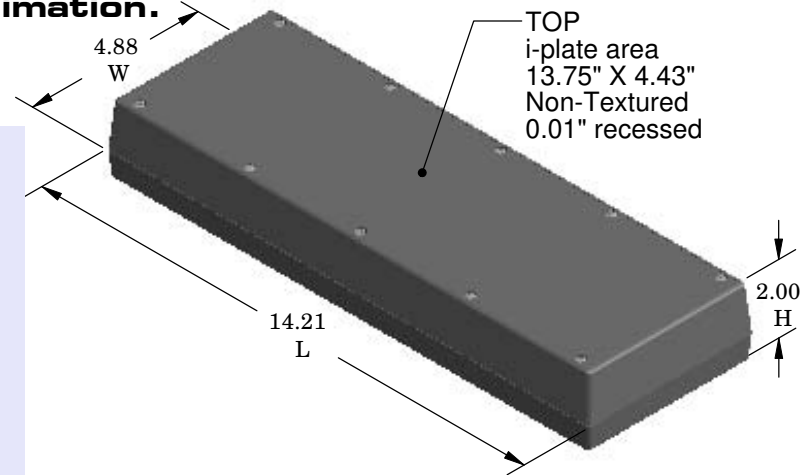
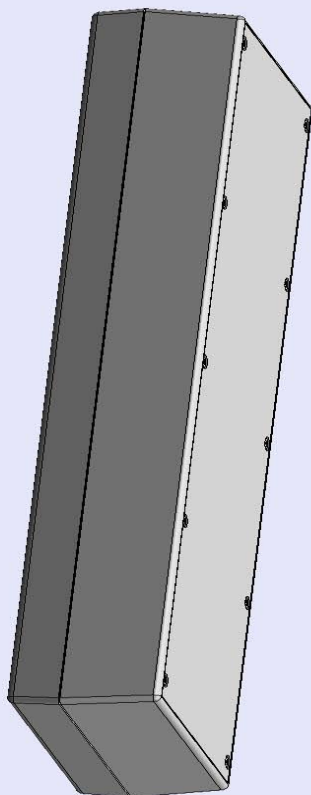
Address: A1208, Overseas Decoration Building, #122 Zhenhua RD., Futian, Shenzhen, China



# SERPAC182Ri (3D exploded)

Electronic Enclosures

-Click on image to show toolbar. Use ▶|| to Play/Pause Animation.  
 -Left click and drag on image to move 3D model.



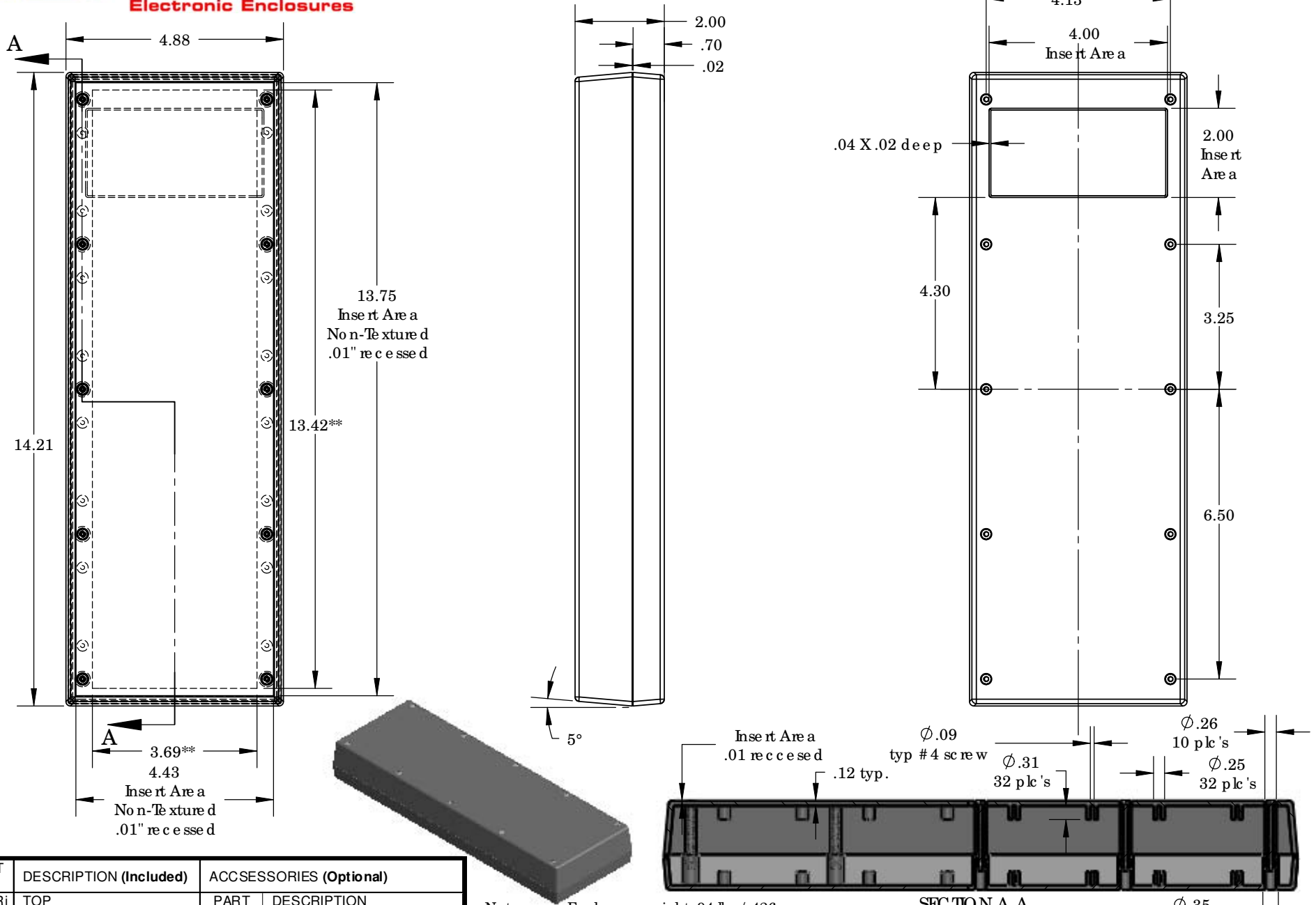
- a) zoom in & out with center wheel.
- b) Pause at any moment to view and or print views.
- c) Change the views to ortho and section views if needed from the Views pull down menu.
- d) Explore options included in the tool bar like: Views, Transparency of model, Lighting type, etc.

Notes: Enclosure weight .94 lbs / 426 gm  
 1) Enclosure meets or exceeds IP40 and NEMA 1  
 2) Circuit Board drawings can be downloaded at:  
[http://www.serpac.com/Products/Series/x9x/drawings/18X\\_CB.pdf](http://www.serpac.com/Products/Series/x9x/drawings/18X_CB.pdf)  
 3) All components are RoHS Compliant.

PART NO.	DESCRIPTION (Included)	ACCESSORIES (Optional)	
8-2Ri	TOP	PART NO.	DESCRIPTION
18	BOTTOM	50	Non-skid Feet
6017	4-40 SCREW (10)		
6102	THREADED INSERT (10)		

# SERPAC 182Ri (user print)

Electronic Enclosures



PART NO.	DESCRIPTION (Included)	ACCESSORIES (Optional)	PART NO.	DESCRIPTION
8-2Ri	TOP			
18	BOTTOM		50	Non-skid Feet
6017	4-40 SCREW (10)			
6102	THREADED INSERT (10)			

Notes: Enclosure weight .94 lbs / 426 gm  
 \*\* Indicates internal plates Top and Bottom.  
 1) Enclosure meets or exceeds IP40 and NEMA 1  
 2) Circuit Board drawings can be downloaded at:  
[http://www.serpac.com/Products/Series/x9x/drawings/18X\\_CB.pdf](http://www.serpac.com/Products/Series/x9x/drawings/18X_CB.pdf)  
 3) All components are RoHS Compliant.

SECTION A-A  
 SCALE 1 : 3

ALL DIMENSIONS ARE ± .010" 8/19/10 (2 of 2)  
 2009 Wright Ave. La Verne, CA 91750  
 Ph. (626) 331-0517 Ex. (626) 331-8584 www.serpac.com