



Chipsmall Limited consists of a professional team with an average of over 10 year of expertise in the distribution of electronic components. Based in Hongkong, we have already established firm and mutual-benefit business relationships with customers from,Europe,America and south Asia,supplying obsolete and hard-to-find components to meet their specific needs.

With the principle of “Quality Parts,Customers Priority,Honest Operation,and Considerate Service”,our business mainly focus on the distribution of electronic components. Line cards we deal with include Microchip,ALPS,ROHM,Xilinx,Pulse,ON,Everlight and Freescale. Main products comprise IC,Modules,Potentiometer,IC Socket,Relay,Connector.Our parts cover such applications as commercial,industrial, and automotives areas.

We are looking forward to setting up business relationship with you and hope to provide you with the best service and solution. Let us make a better world for our industry!



Contact us

Tel: +86-755-8981 8866 Fax: +86-755-8427 6832

Email & Skype: info@chipsmall.com Web: www.chipsmall.com

Address: A1208, Overseas Decoration Building, #122 Zhenhua RD., Futian, Shenzhen, China



SCALA NON IMPEGNATIVA
(DO NOT SCALE)
DIMENSIONI IN mm
(DIMENSIONS IN mm)

METRIC

PROIEZIONE EUROPEA
(EUROPEAN PROJECTION)

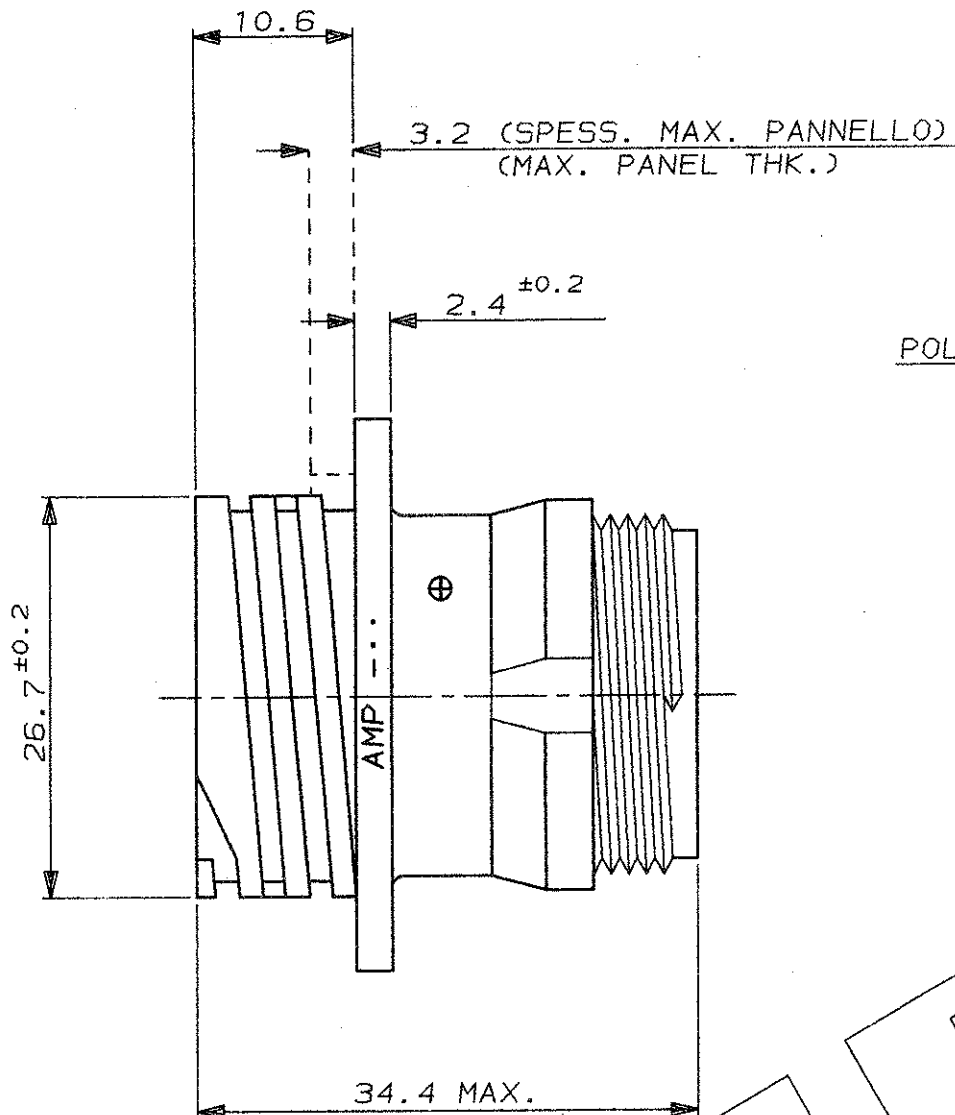
A

B

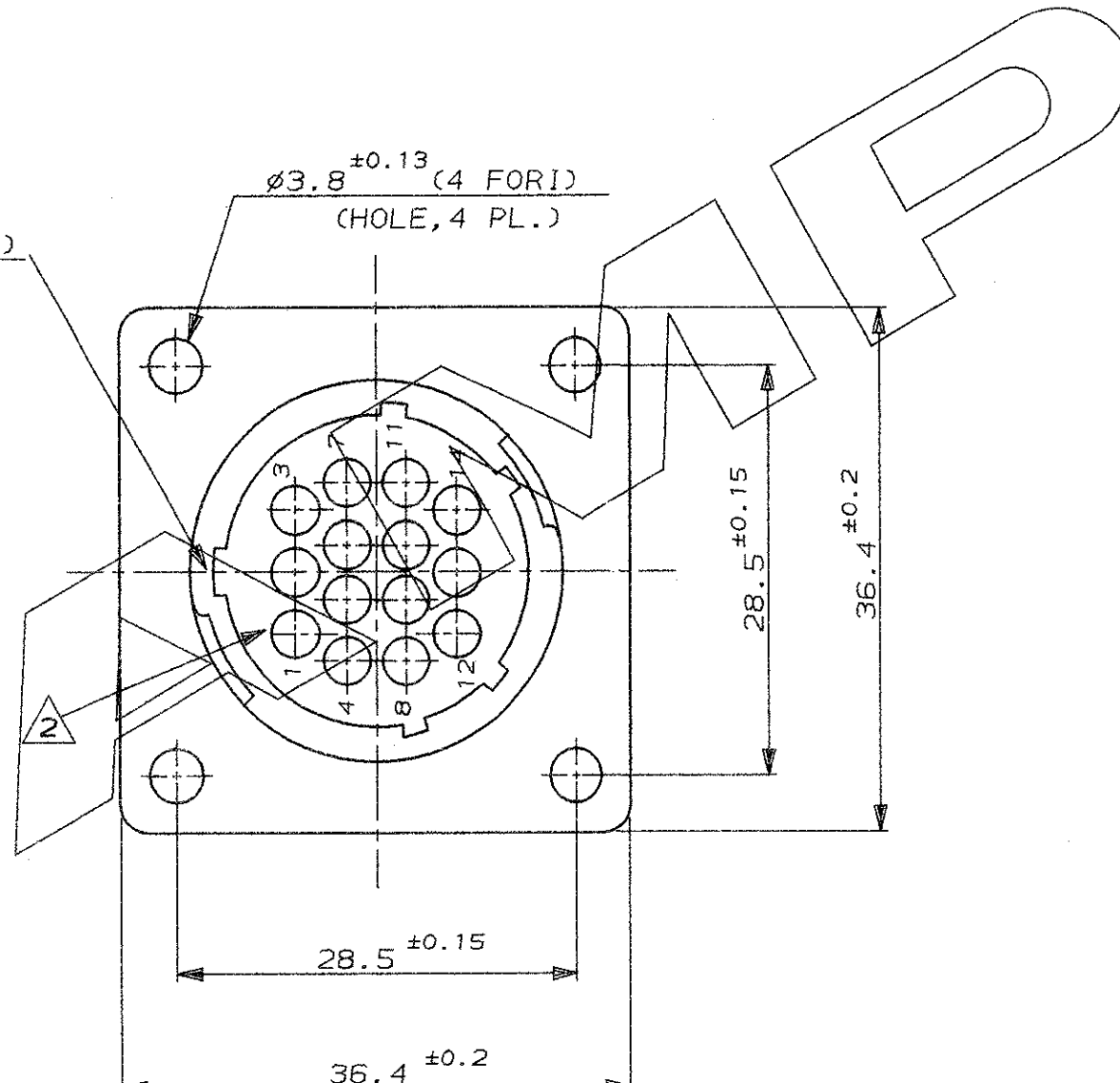
C

D

E



POLARIZZAZIONE (KEYING)



DISEGNO RISERVATO PER CLIENTE ENEL

IL DISEGNO INDICA IL P.N. 183040-1
(P.N. 183040-1 AS SHOWN)

NOTE (NOTES)

- 1. MATERIALE (MATL.): TERMOPLASTICO COLORE NERO (THERMOPLASTIC, BLACK COLOR)
- 2. OGNI CAVITA' E' IDENTIFICATA DAL NUMERO POSTO SIA SUL FRONTE CHE SUL RETRO DEL CONNETTORE. (CONTACT CAVITIES IDENTIFIED BY CHARACTERS) (ON FRONT AND REAR FACES OF CONNECTOR.)
- 3 - CONNETTORE ADATTO AD ACCOGLIERE CONTATTI MASCHIO (CONNECTOR SUITABLE FOR PIN CONTACTS)

RESTRICTED CUSTOMER DRAWING FOR REFERENCE ONLY DISEGNO PER CLIENTE SOLO PER RIFERIMENTO

THIS DRAWING IS UNPUBLISHED RELEASE FOR PUBLICATION 1991

TOLLERANZE, SE NON DIVERSAMENTE SPECIFICATO (TOLERANCES, UNLESS OTHERWISE SPECIFIED)

DIAM. ISOLANTE (INS. DIA. RANGE)	RANGO FILO (WIRE RANGE)	SCALA (SCALE)
± 0.3	-	-

ANGOLI (ANGLES) ± 2°



DIS. (DR.) C. CORDOLA 17 MARCH 92 DESCRIZIONE (DESCRIPTION) C.P.C. SQUARE FLANGE REC. STANDARD SEX SIZE 17-14

REV. (REV.)	A1	REVISIONI (REVISION RECORD)	ECO-11-005294	DIS. (DR.)	C. CORDOLA	DATA (DATE)	17 MARCH 92	LOC. (LOC.)	I A3 C	SIZE (SIZE)	183040	NUMERO (DWG NO)	1	REV. (REV.)	A1	FOLIO (SHEET)	1
-------------	----	-----------------------------	---------------	------------	------------	-------------	-------------	-------------	--------	-------------	--------	-----------------	---	-------------	----	---------------	---

DISTRIBUZIONE (PRINT DIST.)