



Chipsmall Limited consists of a professional team with an average of over 10 year of expertise in the distribution of electronic components. Based in Hongkong, we have already established firm and mutual-benefit business relationships with customers from,Europe,America and south Asia,supplying obsolete and hard-to-find components to meet their specific needs.

With the principle of “Quality Parts,Customers Priority,Honest Operation,and Considerate Service”,our business mainly focus on the distribution of electronic components. Line cards we deal with include Microchip,ALPS,ROHM,Xilinx,Pulse,ON,Everlight and Freescale. Main products comprise IC,Modules,Potentiometer,IC Socket,Relay,Connector.Our parts cover such applications as commercial,industrial, and automotives areas.

We are looking forward to setting up business relationship with you and hope to provide you with the best service and solution. Let us make a better world for our industry!



Contact us

Tel: +86-755-8981 8866 Fax: +86-755-8427 6832

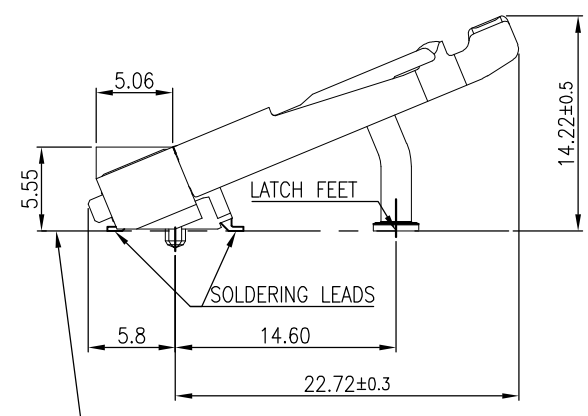
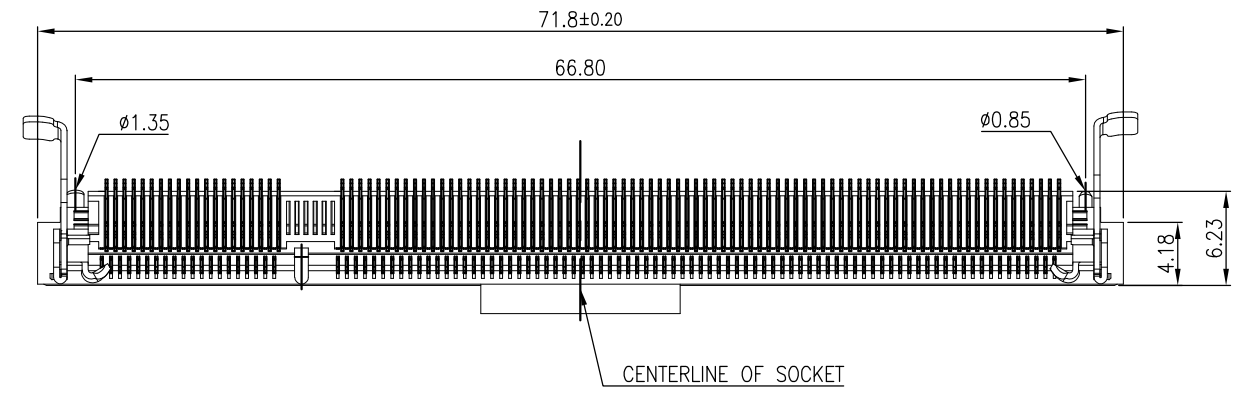
Email & Skype: info@chipsmall.com Web: www.chipsmall.com

Address: A1208, Overseas Decoration Building, #122 Zhenhua RD., Futian, Shenzhen, China

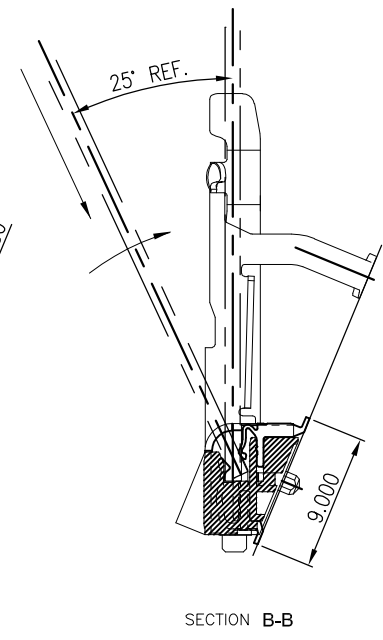
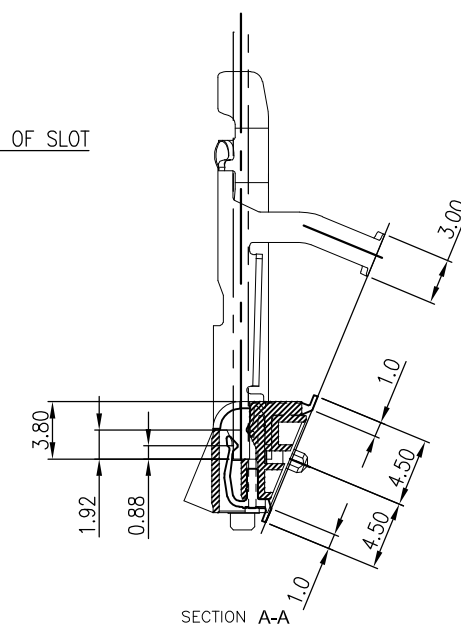
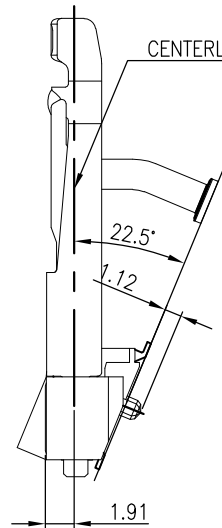
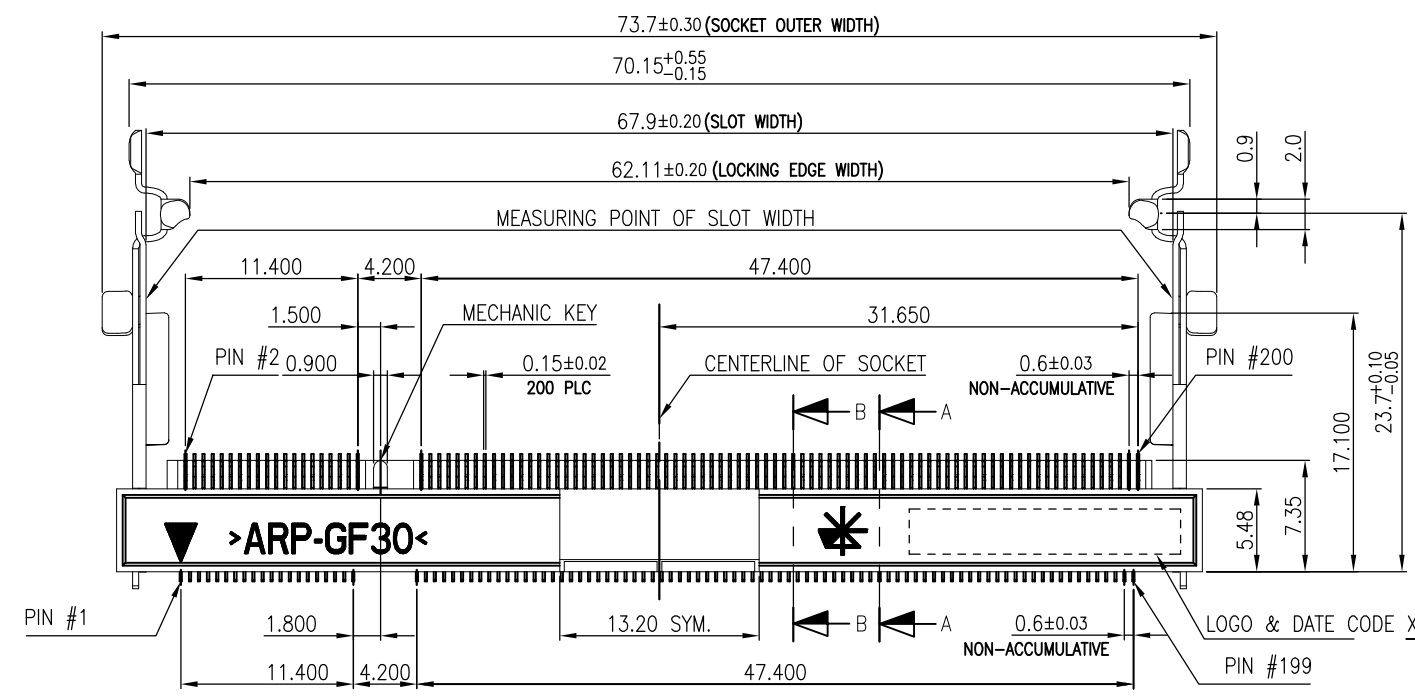


THIS DRAWING IS UNPUBLISHED. RELEASED FOR PUBLICATION
 © COPYRIGHT - By - ALL RIGHTS RESERVED.

LOC	DIST	REVISIONS			
P	LTR	DESCRIPTION	DATE	DWN	APVD
DW	-	B2	REVISED PER ECO-11-005301	16APR11	RK HMR



MOUNTING SURFACE OF P.C. BOARD
 ALL SOLDERING LEADS AND LATCH FEET
 MUST BE COPLANAR WITHIN \square 0.1 mm.



- NOTE:
- MATERIAL:
 HOUSING: LCP WITH 30% GF, UL 94V-0, COLOR: NATURE.
 CONTACTS: PHOSPHOR BRONZE.
 LATCH: STAINLESS.
 - FINISH:
 CONTACTS: GOLD PLATED (SEE TABLE) ON CONTACT AREA ,
 GOLD FLASH ON SOLDER TAILS, WITH ENTIRE
 CONTACT UNDERPLATED 1.27 μ m [50 μ "] MIN. NICKEL.
 LATCH: 2.032 μ m[80 μ "] ~ 4.064 μ m[160 μ "] MATTE-TIN PLATED
 OVER 1.27 μ m [50 μ "] MIN. NICKEL PLATED.
 - REFLOW SOLDER CAPABLE TO 260°C PER TE CONNECTIVITY TEST SPEC.
 109-201, CONDITION B.

THIS DRAWING IS A CONTROLLED DOCUMENT.

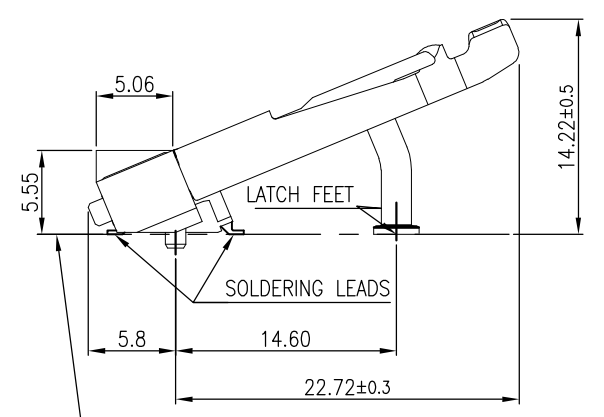
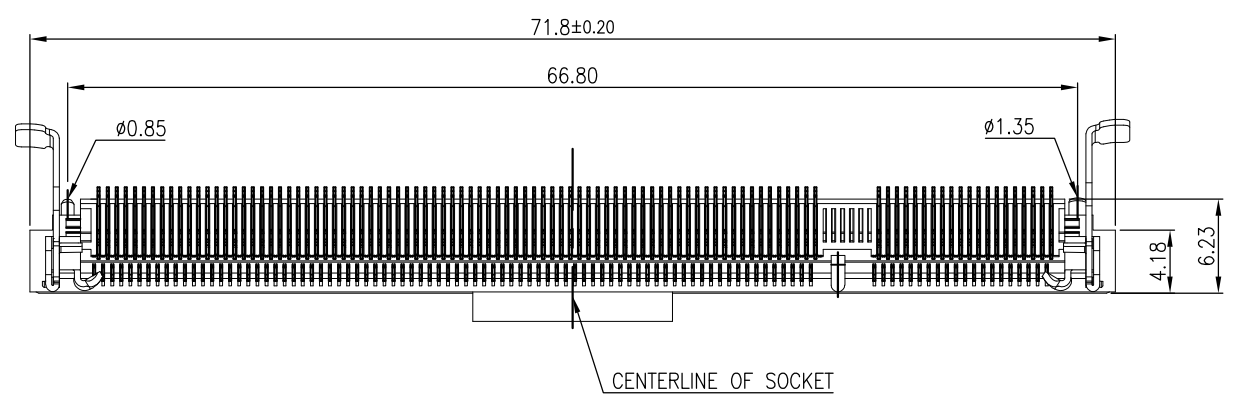
DIMENSIONS: mm	TOLERANCES UNLESS OTHERWISE SPECIFIED: 0 PLC ± 0.5 1 PLC ± 0.2 2 PLC ± 0.1 3 PLC ± 0.05 4 PLC ± - ANGLES ± 3'
MATERIAL SEE NOTE	FINISH SEE NOTE

DWN J. LAI 15JUN2009	NAME - ANGLED SO DIMM SOCKET ASSY, 0.6mm PITCH, 200 POSN, 22.5 DEGRESS TILT
CHK S. CHIEN 15JUN2009	
APVD W. KODAMA 15JUN2009	
PRODUCT SPEC 108-57503 APPLICATION SPEC	
WEIGHT 4.43 GRAMS	RESTRICTED TO -
CUSTOMER DRAWING	

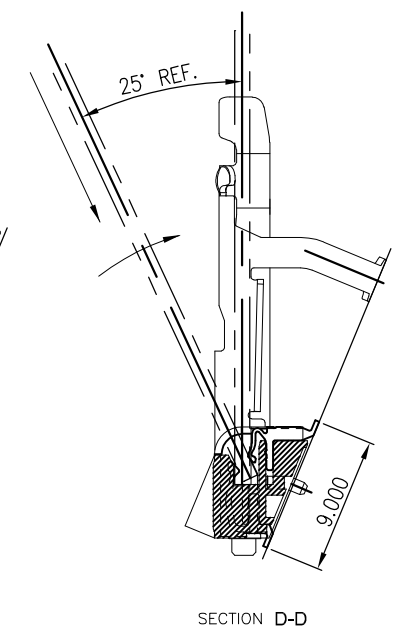
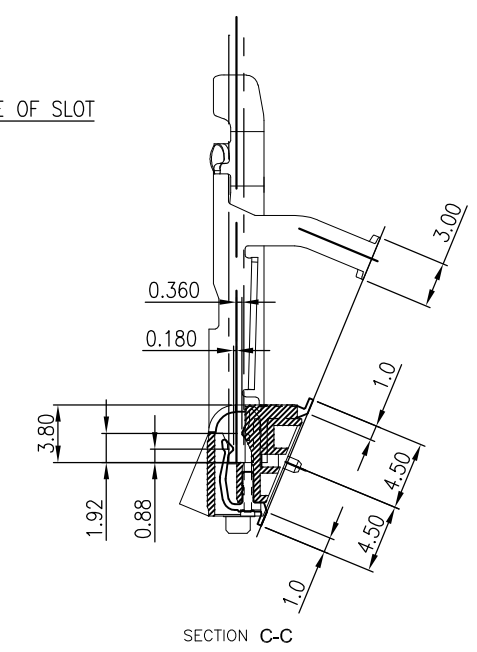
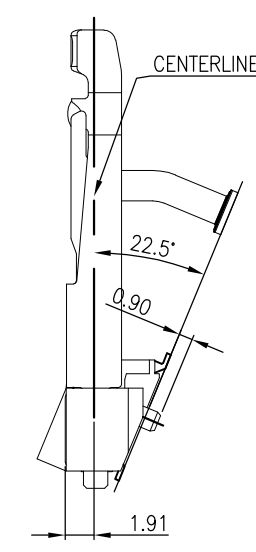
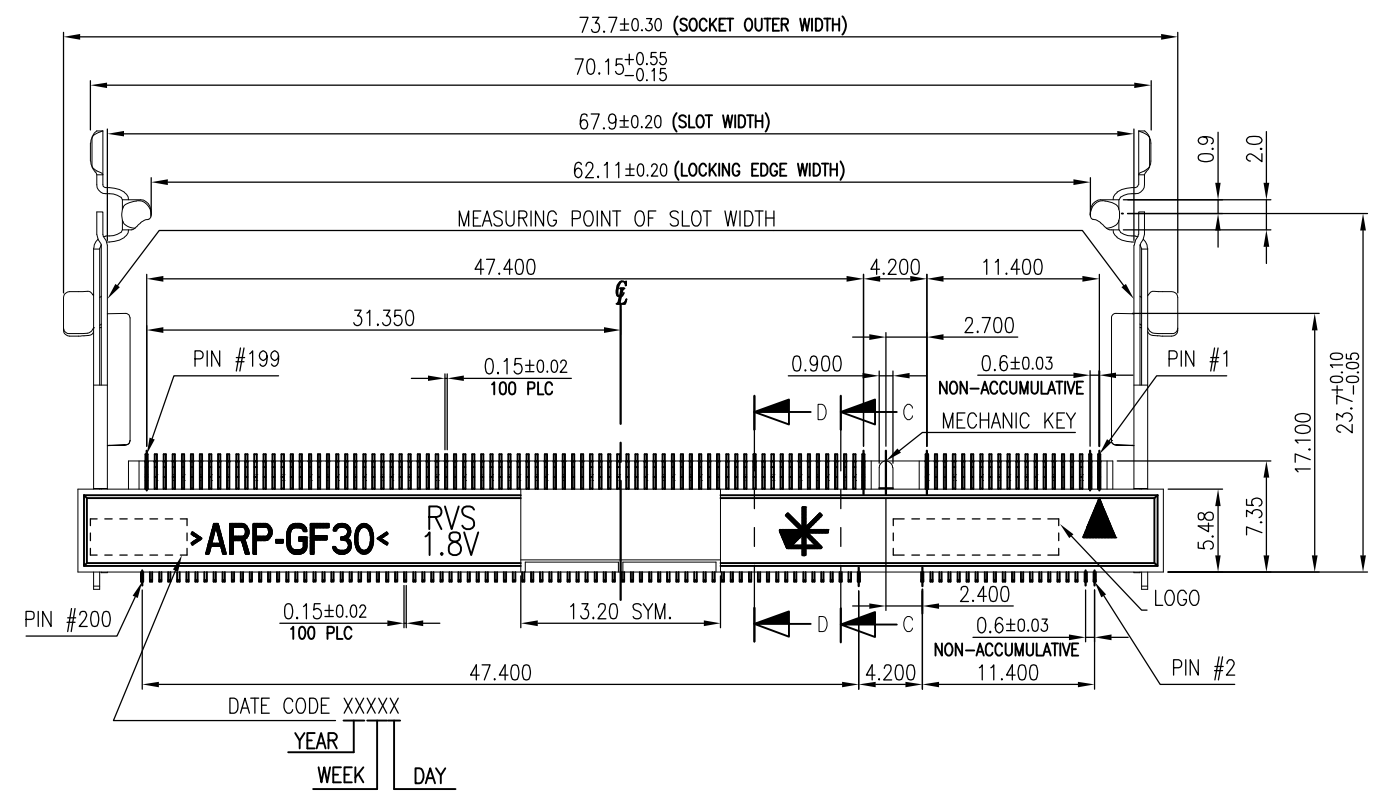
TRAY	2.5 V	0.762 μ m[30 μ "] MIN.	1834017-2
TRAY		0.254 μ m[10 μ "] MIN.	1834017-1
PACKING	VOLTAGE	GOLD PLATED	PART NUMBER
QUALIFICATION TEST REPORT 501-57577		TE Connectivity	
SIZE	CAGE CODE	DRAWING NO	RESTRICTED TO
A3	00779	C-1834017	-
SCALE -		SHEET 1 OF 7	REV B2

THIS DRAWING IS UNPUBLISHED. RELEASED FOR PUBLICATION
 © COPYRIGHT - By - ALL RIGHTS RESERVED.

LOC	DIST	REVISIONS			
P	LTR	DESCRIPTION	DATE	DWN	APVD
DW	-	SEE SHEET 1	-	-	-



MOUNTING SURFACE OF P.C. BOARD
 ALL SOLDERING LEADS AND LATCH FEET
 MUST BE COPLANAR WITHIN \square 0.1 mm.



T/R	REVERSE	1.8 V	0.762μm[30μ"] MIN.	1-1834017-2
TRAY			0.254μm[10μ"] MIN.	1-1834017-1
PACKING	PART VERSION	VOLTAGE	GOLD PLATED	PART NUMBER

- NOTE:
- MATERIAL:
 HOUSING: LCP WITH 30% GF, UL 94V-0, COLOR: NATURE.
 CONTACTS: PHOSPHOR BRONZE.
 LATCH: STAINLESS.
 - FINISH:
 CONTACTS: GOLD PLATED (SEE TABLE) ON CONTACT AREA ,
 GOLD FLASH ON SOLDER TAILS, WITH ENTIRE
 CONTACT UNDERPLATED 1.27μm [50μ"] MIN. NICKEL.
 LATCH: 2.032μm[80μ"] ~ 4.064μm[160μ"] MATTE-TIN PLATED
 OVER 1.27μm [50μ"] MIN. NICKEL PLATED.
 - REFLOW SOLDER CAPABLE TO 260°C PER TE CONNECTIVITY TEST SPEC.
 109-201, CONDITION B.

THIS DRAWING IS A CONTROLLED DOCUMENT.		DWN	-
DIMENSIONS: mm		CHK	-
TOLERANCES UNLESS OTHERWISE SPECIFIED:		APVD	-
0 PLC ± 0.5		PRODUCT SPEC	
1 PLC ± 0.2		108-57503	
2 PLC ± 0.1		APPLICATION SPEC	
3 PLC ± 0.05		501-57577	
4 PLC ± -		WEIGHT 4.43 GRAMS	
ANGLES ± 3'		CUSTOMER DRAWING	
MATERIAL		FINISH	

STE TE Connectivity

NAME

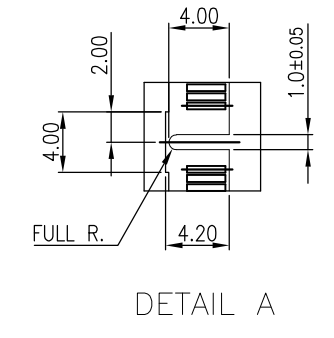
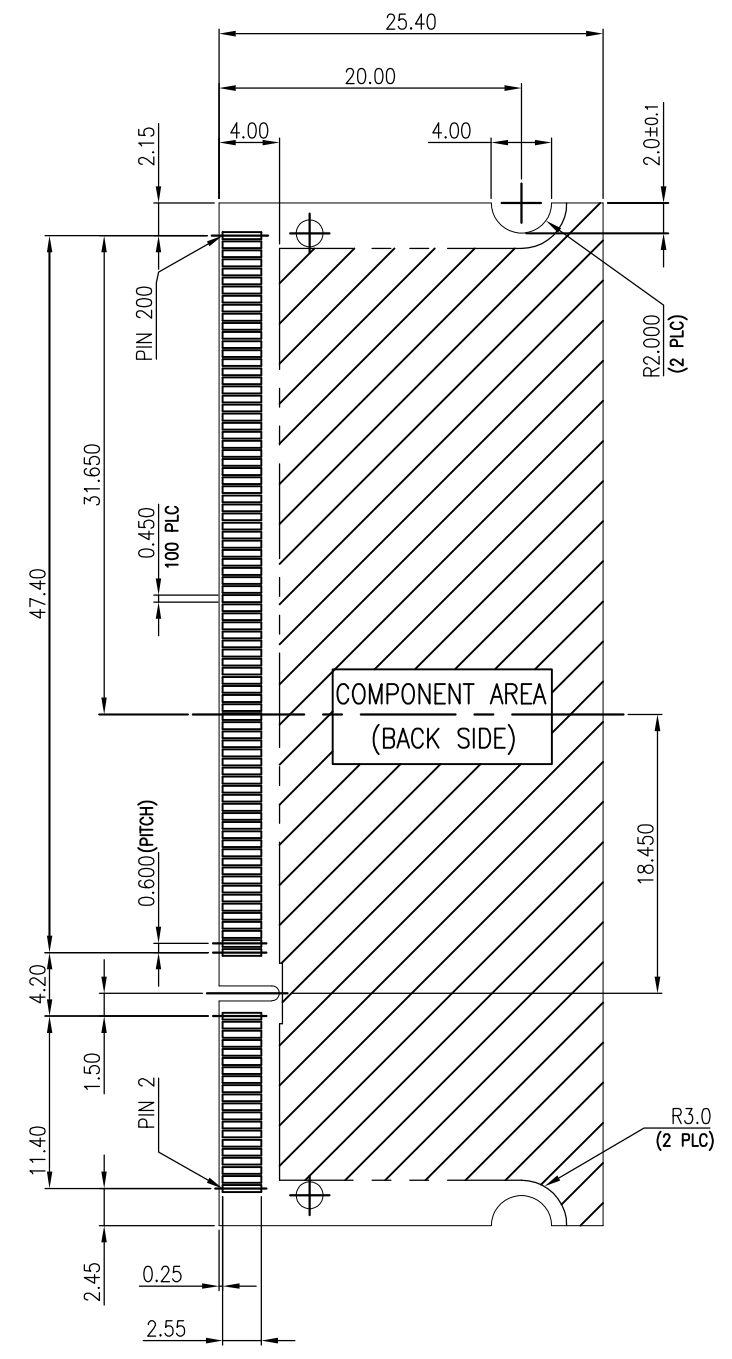
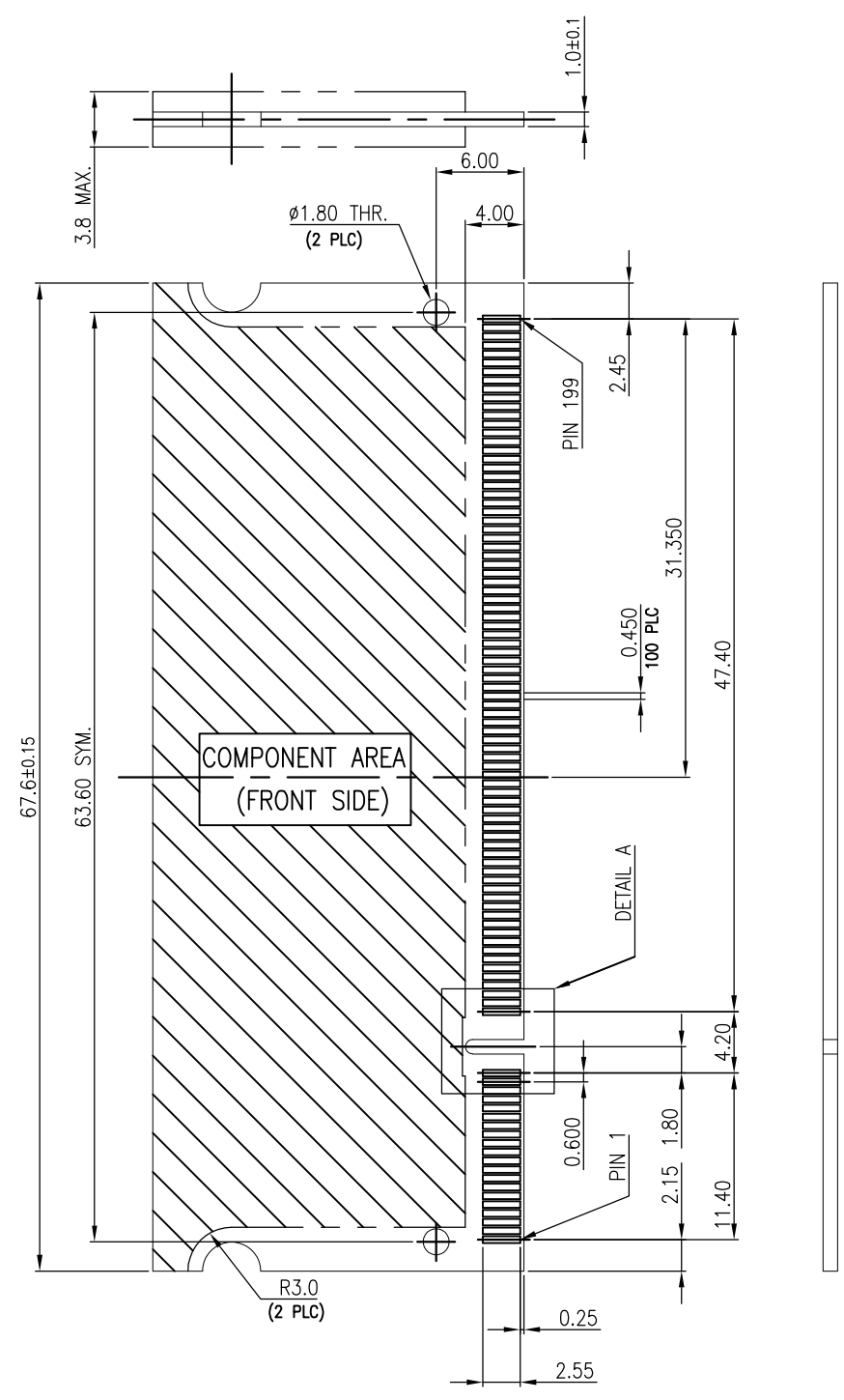
ANGLED SO DIMM SOCKET ASSY, 0.6mm PITCH,
 200 POSN, 22.5 DEGRESS TILT

SIZE	CAGE CODE	DRAWING NO	RESTRICTED TO
A3	00779	C-1834017	-

SCALE - SHEET 2 OF 7 REV B2

THIS DRAWING IS UNPUBLISHED. RELEASED FOR PUBLICATION
 © COPYRIGHT - By - ALL RIGHTS RESERVED.

LOC		DIST		REVISIONS			
DW	-	P	LTR	DESCRIPTION	DATE	DWN	APVD
				-	SEE SHEET 1	-	-



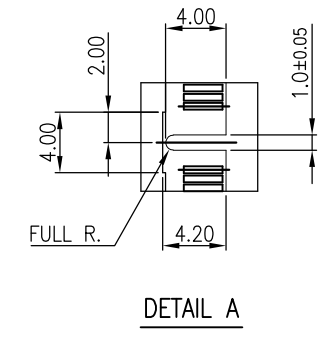
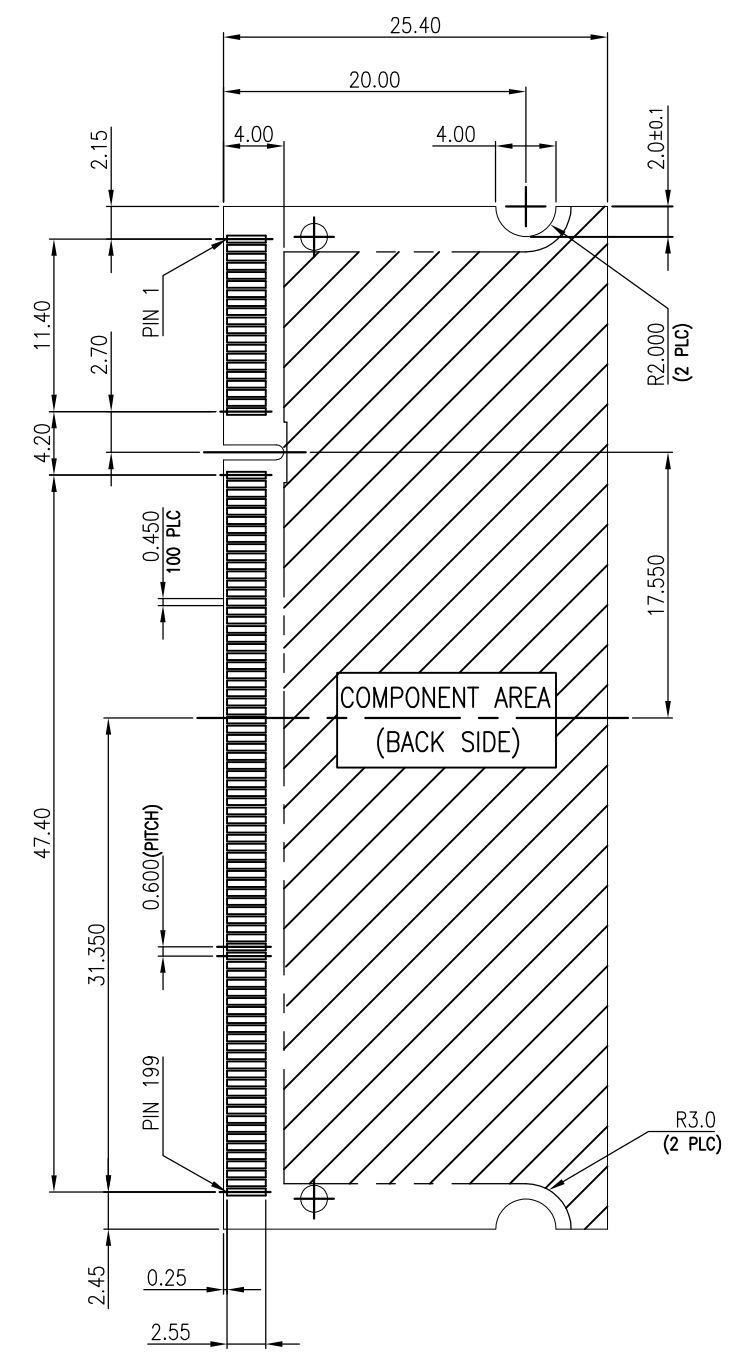
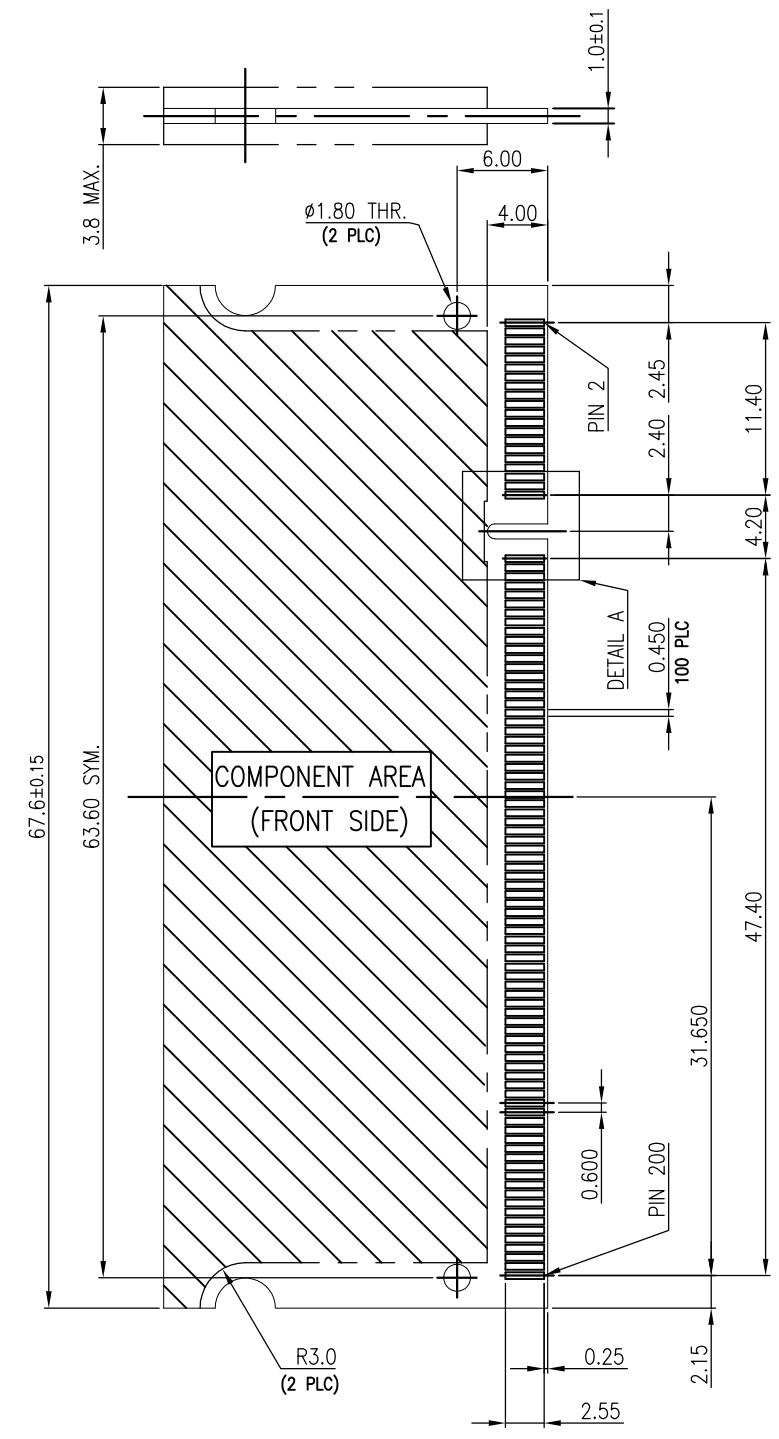
RECOMMENDED DAUGHTER BOARD FOR 2.5V STD. TYPE

2.5 V
VOLTAGE

THIS DRAWING IS A CONTROLLED DOCUMENT.		DWN	-	TE Connectivity NAME ANGLD SO DIMM SOCKET ASSY, 0.6mm PITCH, 200 POSN, 22.5 DEGRESS TILT							
DIMENSIONS: mm		CHK	-					PRODUCT SPEC			
TOLERANCES UNLESS OTHERWISE SPECIFIED:		APVD	-					APPLICATION SPEC			
0 PLC ± - 1 PLC ± - 2 PLC ± - 3 PLC ± - 4 PLC ± - ANGLES ± - FINISH ± -		PRODUCT SPEC	-	SIZE	CAGE CODE	DRAWING NO	RESTRICTED TO				
MATERIAL		APPLIC. SPEC	-	A3	00779	C-1834017	-				
		WEIGHT	-	CUSTOMER DRAWING		SCALE	SHEET				
						-	3 OF 7				
							REV B2				

THIS DRAWING IS UNPUBLISHED. RELEASED FOR PUBLICATION
 © COPYRIGHT - By - ALL RIGHTS RESERVED.

LOC	DIST	REVISIONS			
P	LTR	DESCRIPTION	DATE	DWN	APVD
DW	-	SEE SHEET 1	-	-	-



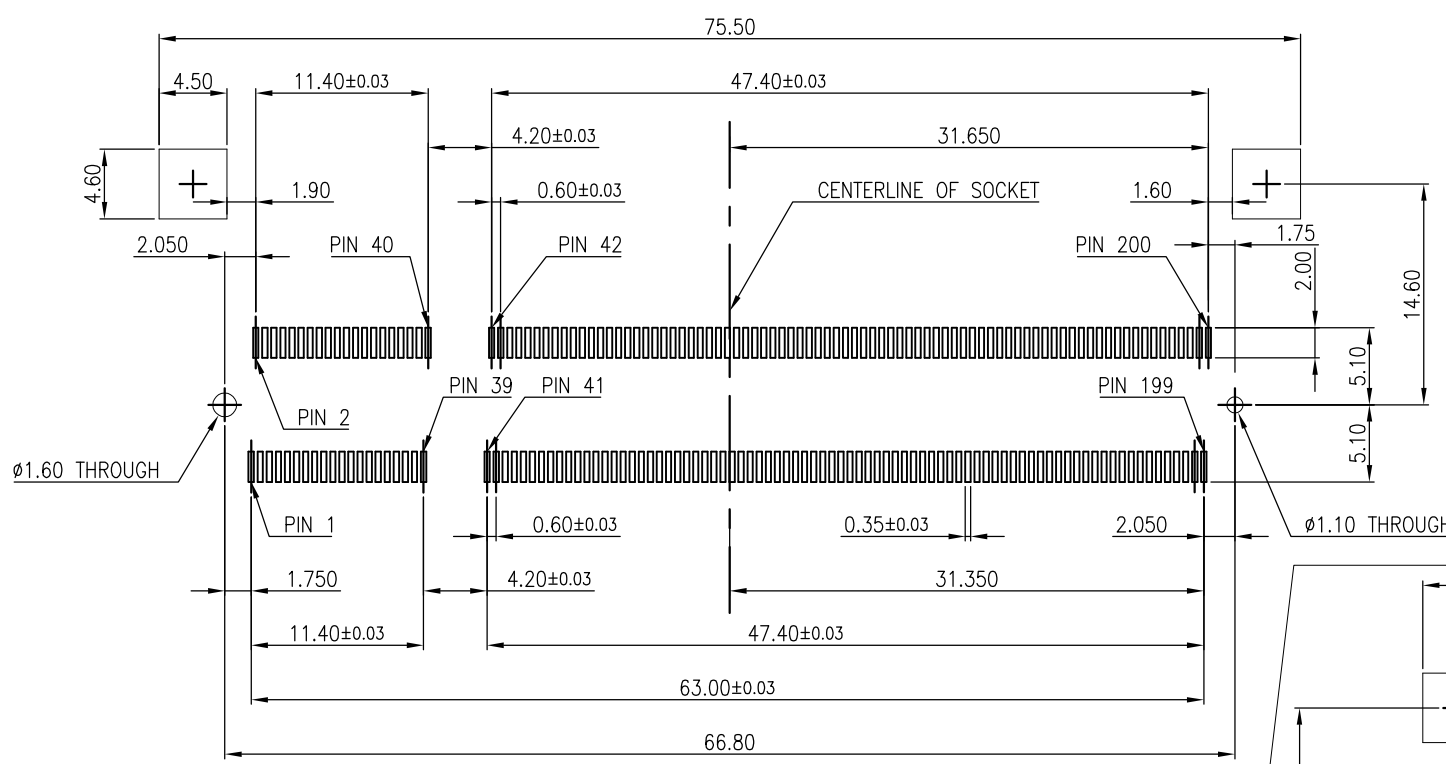
RECOMMENDED DAUGHTER BOARD FOR 1.8V RVS. TYPE

1.8 V
VOLTAGE

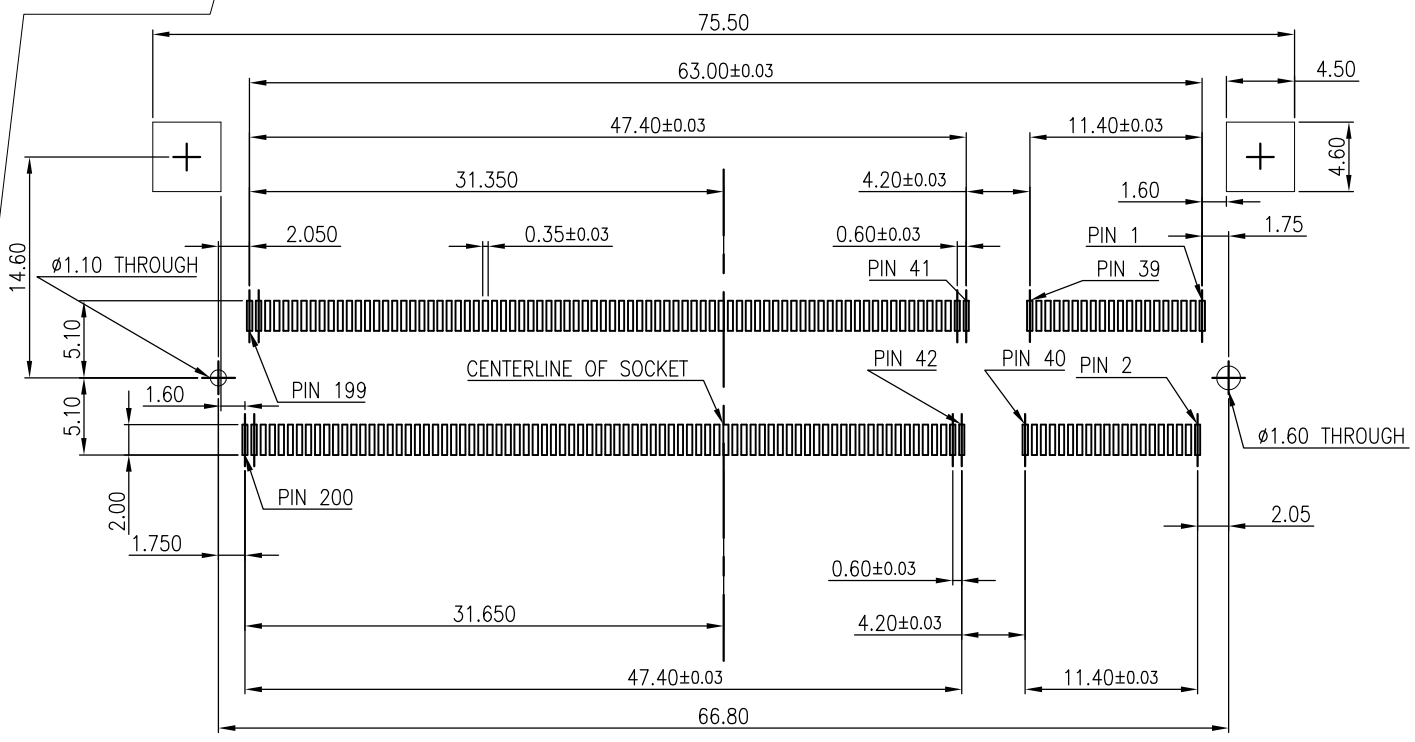
THIS DRAWING IS A CONTROLLED DOCUMENT.		DWN	-	TE Connectivity NAME ANGLD SO DIMM SOCKET ASSY, 0.6mm PITCH, 200 POSN, 22.5 DEGRESS TILT	
DIMENSIONS: mm		CHK	-		
TOLERANCES UNLESS OTHERWISE SPECIFIED:		APVD	-		
0 PLC ± - 1 PLC ± - 2 PLC ± - 3 PLC ± - 4 PLC ± - ANGLES ± - FINISH ± -		PRODUCT SPEC	-		
MATERIAL		APPLICATION SPEC	-	SIZE	A3
		WEIGHT	-	CAGE CODE	00779
		CUSTOMER DRAWING		DRAWING NO	C-1834017
		SCALE	-	RESTRICTED TO	-
		SHEET	4 OF 7	REV	B2

THIS DRAWING IS UNPUBLISHED. RELEASED FOR PUBLICATION
 © COPYRIGHT - By - ALL RIGHTS RESERVED.

LOC	DIST	REVISIONS					
DW	-	P	LTR	DESCRIPTION	DATE	DWN	APVD
		-		SEE SHEET 1	-	-	-



RECOMMENDED PCB LAYOUT
 TOLERANCE: ± 0.05
 FOR 2.5V



RECOMMENDED PCB LAYOUT
 TOLERANCE: ± 0.05
 FOR 1.8V OF REVERSE

THIS DRAWING IS A CONTROLLED DOCUMENT.		DWN	-	STE TE Connectivity	
DIMENSIONS: mm		CHK	-		
TOLERANCES UNLESS OTHERWISE SPECIFIED:		APVD	-	NAME	
0 PLC $\pm -$		PRODUCT SPEC	-	ANGLED SO DIMM SOCKET ASSY, 0.6mm PITCH, 200 POSN, 22.5 DEGRESS TILT	
1 PLC $\pm -$		APPLICATION SPEC	-	SIZE	CAGE CODE
2 PLC $\pm -$		WEIGHT	-	A3	00779
3 PLC $\pm -$		CUSTOMER DRAWING		DRAWING NO	C-1834017
4 PLC $\pm -$		SCALE	-	SHEET	5 OF 7
ANGLES $\pm -$		RESTRICTED TO	-	REV	B2
FINISH					

THIS DRAWING IS UNPUBLISHED.

RELEASED FOR PUBLICATION

ALL RIGHTS RESERVED.

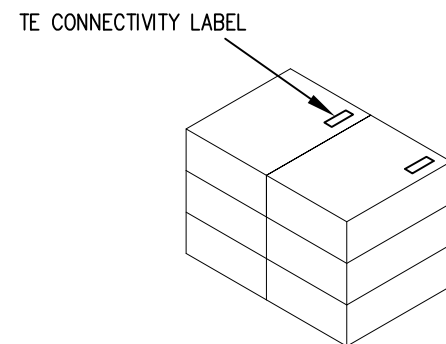
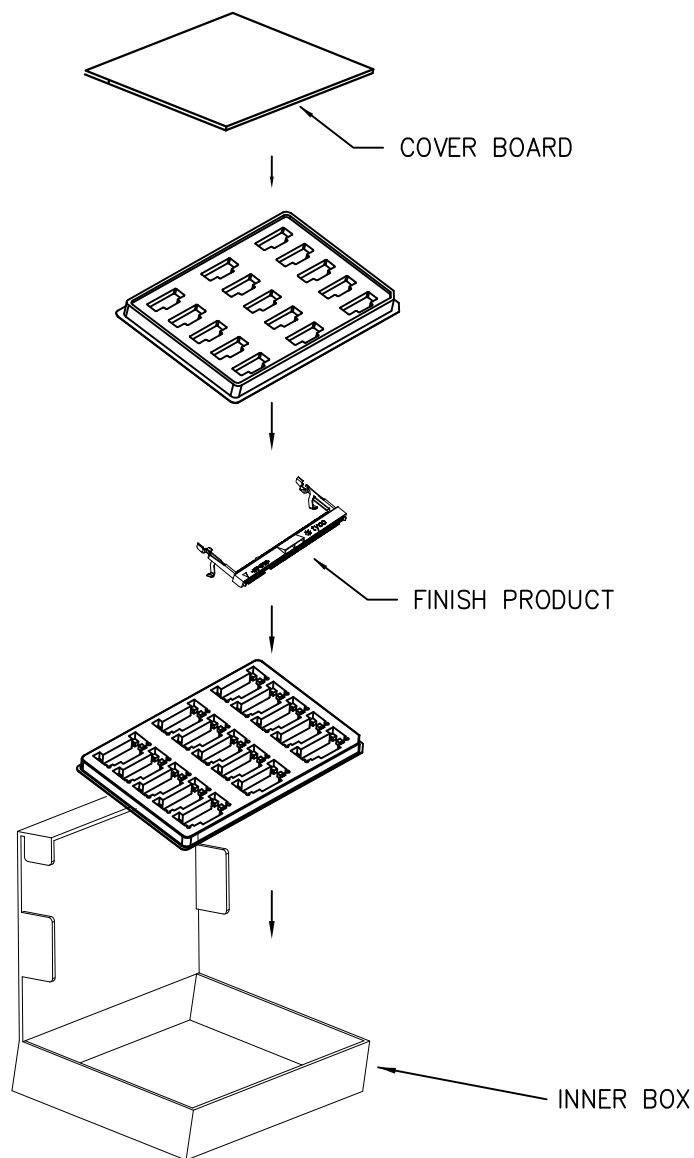
© COPYRIGHT - By -

LOC
DW

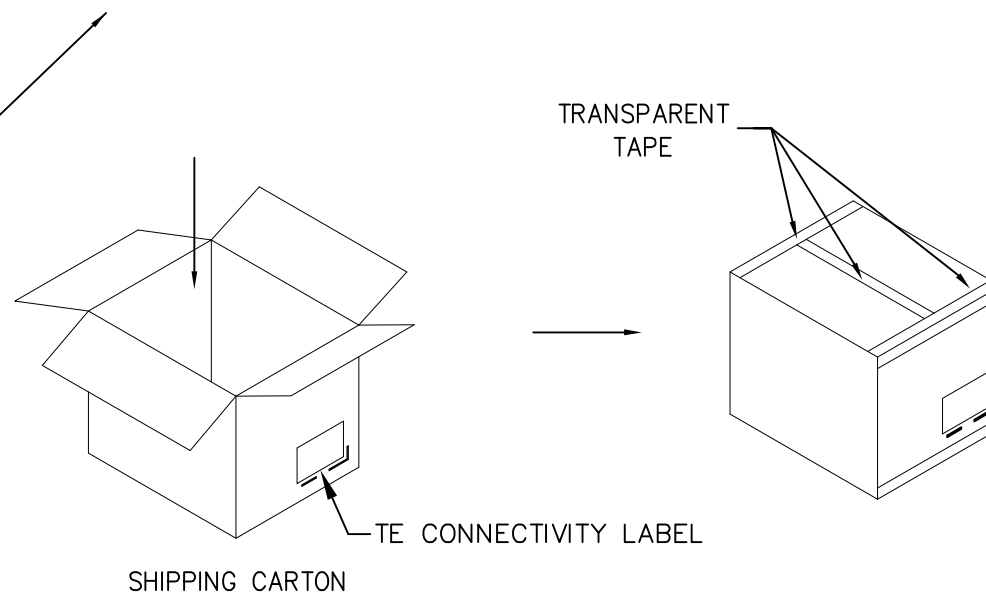
DIST
-

REVISIONS

P	LTR	DESCRIPTION	DATE	DWN	APVD
-	-	SEE SHEET 1	-	-	-



2 ROWS X 3 INNER BOXES
= 6 INNER BOXES



(1) DIMENSION
 SEMI-HARD TRAY: 330x215x17.5 mm
 INNER BOX: 35.5x23x6.5 cm
 SHIPPING CARTON: 48x37x23 cm

(3) PACKAGING
 15 PCS PER TRAY,
 3 TRAYS PER INNER BOX,
 6 BOXES PER SHIPPING CARTON.
 QUANTITY: 270 PCS

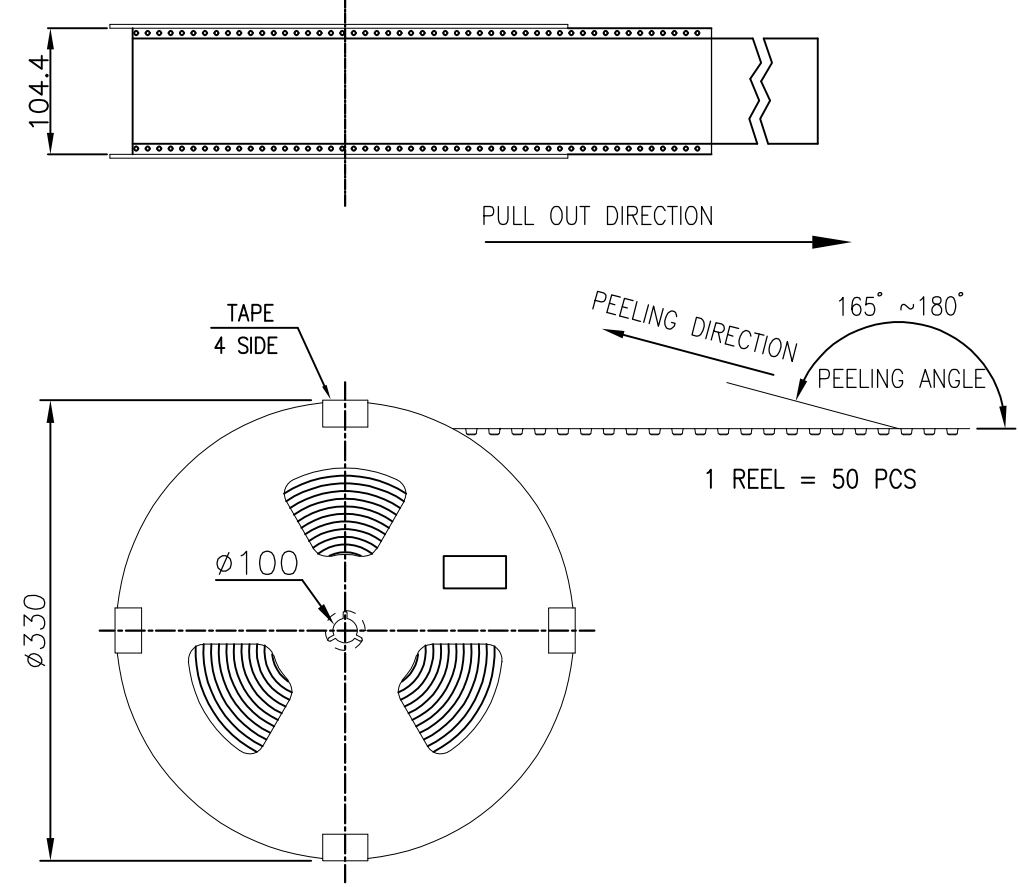
(2) MATERIAL
 SEMI-HARD TRAY: P.S.
 INNER BOX: CORRUGATED FIBER
 SHIPPING CARTON: CORRUGATED FIBER

(4) WEIGHT
 N.W.: 1.196 KGs
 G.W.: 4.5 KGs

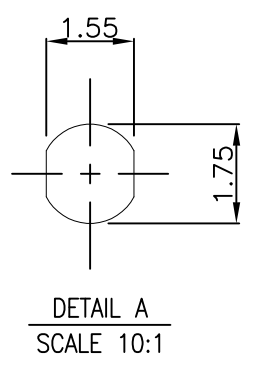
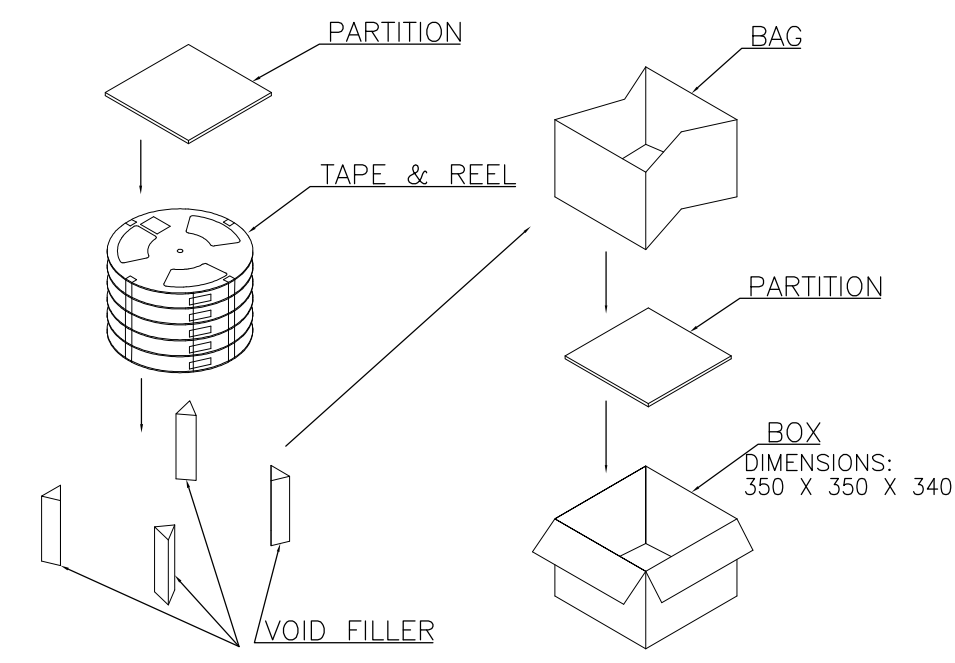
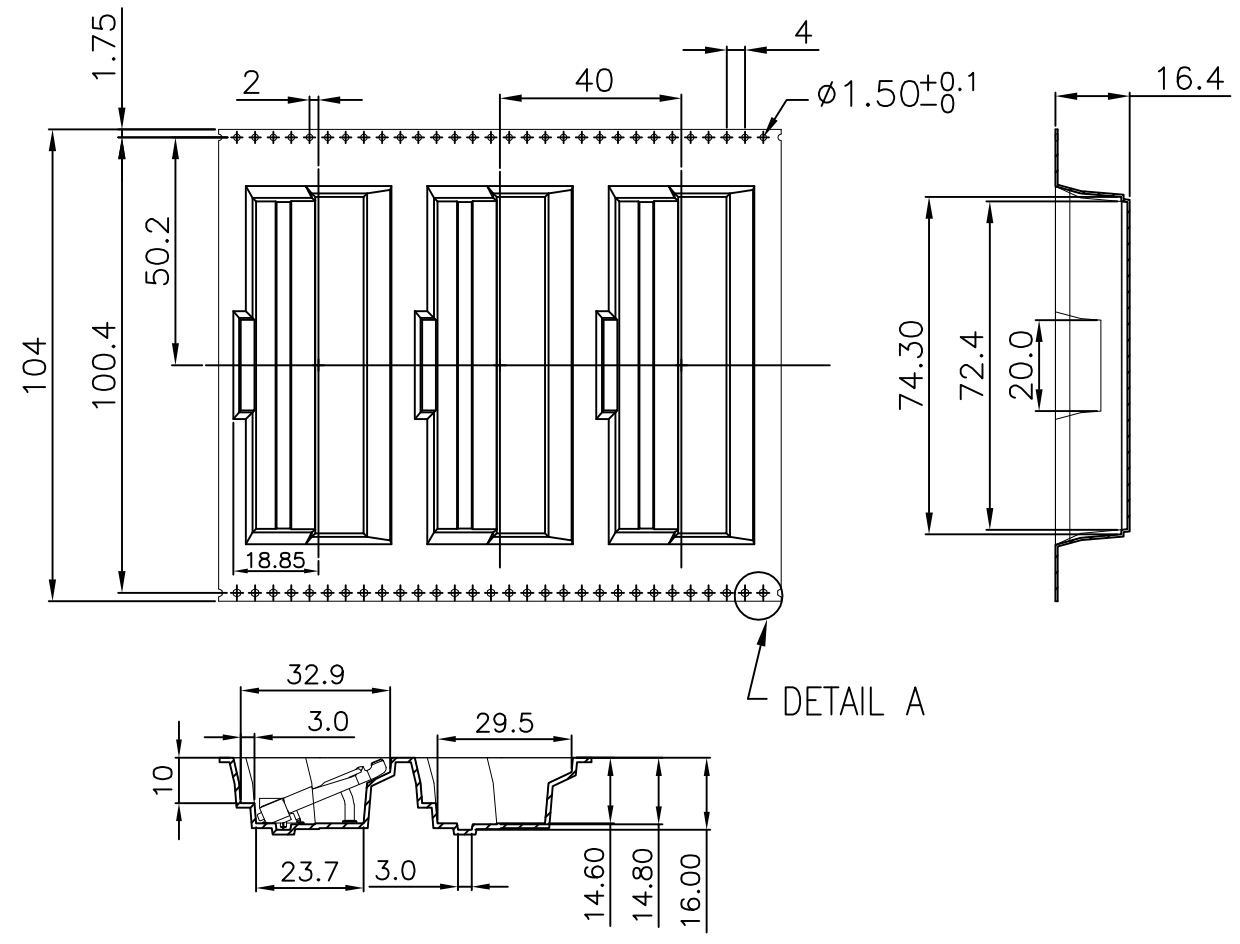
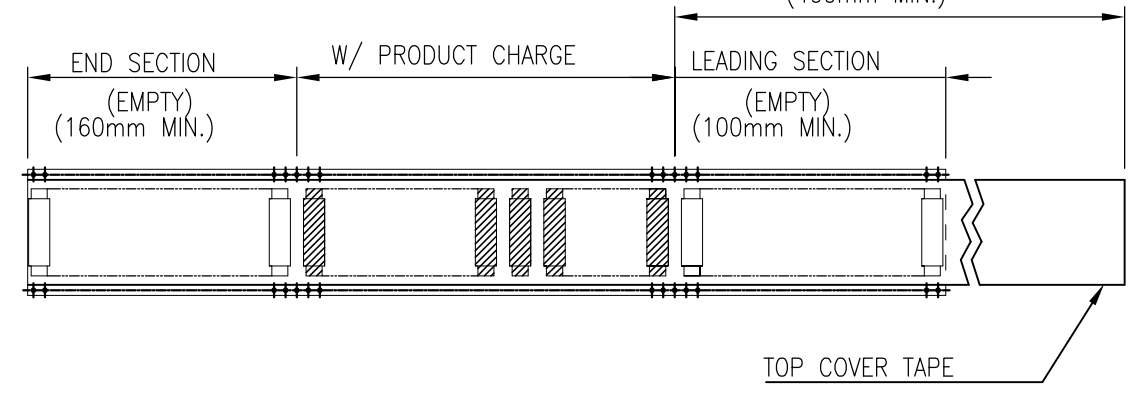
THIS DRAWING IS A CONTROLLED DOCUMENT.		DWN	TE Connectivity NAME - ANGLED SO DIMM SOCKET ASSY, 0.6mm PITCH, 200 POSN, 22.5 DEGRESS TILT				
DIMENSIONS: mm		CHK					
TOLERANCES UNLESS OTHERWISE SPECIFIED:		APVD					
0 PLC ± - 1 PLC ± - 2 PLC ± - 3 PLC ± - 4 PLC ± - ANGLES ± -		PRODUCT SPEC					
MATERIAL		FINISH	APPLICATION SPEC	SIZE	CAGE CODE	DRAWING NO	RESTRICTED TO
			WEIGHT	A3	00779	C-1834017	-
CUSTOMER DRAWING			SCALE	SHEET	REV		
			-	6 OF 7	B2		

THIS DRAWING IS UNPUBLISHED. RELEASED FOR PUBLICATION
 © COPYRIGHT - By - ALL RIGHTS RESERVED.

LOC	DIST	REVISIONS			
P	LTR	DESCRIPTION	DATE	DWN	APVD
DW	-	SEE SHEET 1	-	-	-



- NOTE:
- MATERIAL:
 - EMBOSSSED CARRIER: PS
 - COVER TAPE: PET
 - QUANTITY:
 - PRIMARY: 80 PCS/REEL
 - SECONDARY PACKING: 3 REELS/BOX (240 PCS)
 - WEIGHT:
 - NET WEIGHT: 1.08 KG/BOX
 - GROSS WEIGHT: 3.9 KG/BOX
 - PELLING RESISTANCE: 39g~97g.
 - PELLING SPEED: 300mm/minutes (400mm MIN.)



THIS DRAWING IS A CONTROLLED DOCUMENT.		DWN	-	STE TE Connectivity	
DIMENSIONS: mm		CHK	-		
TOLERANCES UNLESS OTHERWISE SPECIFIED:		APVD	-	NAME	
0 PLC	± -	PRODUCT SPEC	-	-	
1 PLC	± -	APPLICATION SPEC	-	ANGLED SO DIMM SOCKET ASSY, 0.6mm PITCH, 200 POSN, 22.5 DEGRESS TILT	
2 PLC	± -	WEIGHT	-	SIZE	CAGE CODE
3 PLC	± -	CUSTOMER DRAWING	-	A3	00779
4 PLC	± -	SCALE	-	DRAWING NO	C-1834017
ANGLES	± -	SHEET	-	RESTRICTED TO	-
FINISH	-	7 OF 7	-	REV	B2