



Chipsmall Limited consists of a professional team with an average of over 10 year of expertise in the distribution of electronic components. Based in Hongkong, we have already established firm and mutual-benefit business relationships with customers from,Europe,America and south Asia,supplying obsolete and hard-to-find components to meet their specific needs.

With the principle of “Quality Parts,Customers Priority,Honest Operation,and Considerate Service”,our business mainly focus on the distribution of electronic components. Line cards we deal with include Microchip,ALPS,ROHM,Xilinx,Pulse,ON,Everlight and Freescale. Main products comprise IC,Modules,Potentiometer,IC Socket,Relay,Connector.Our parts cover such applications as commercial,industrial, and automotives areas.

We are looking forward to setting up business relationship with you and hope to provide you with the best service and solution. Let us make a better world for our industry!



## Contact us

Tel: +86-755-8981 8866 Fax: +86-755-8427 6832

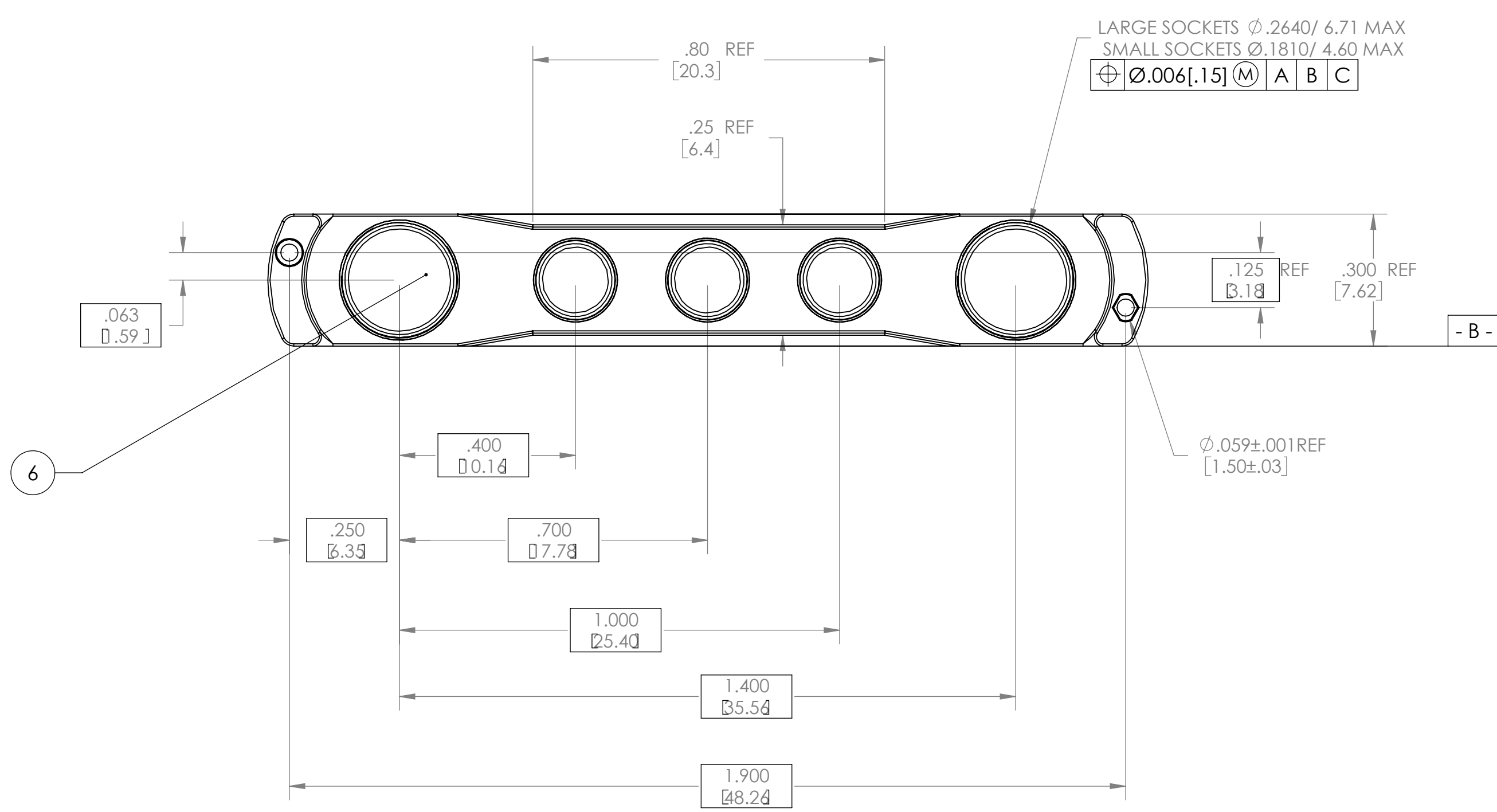
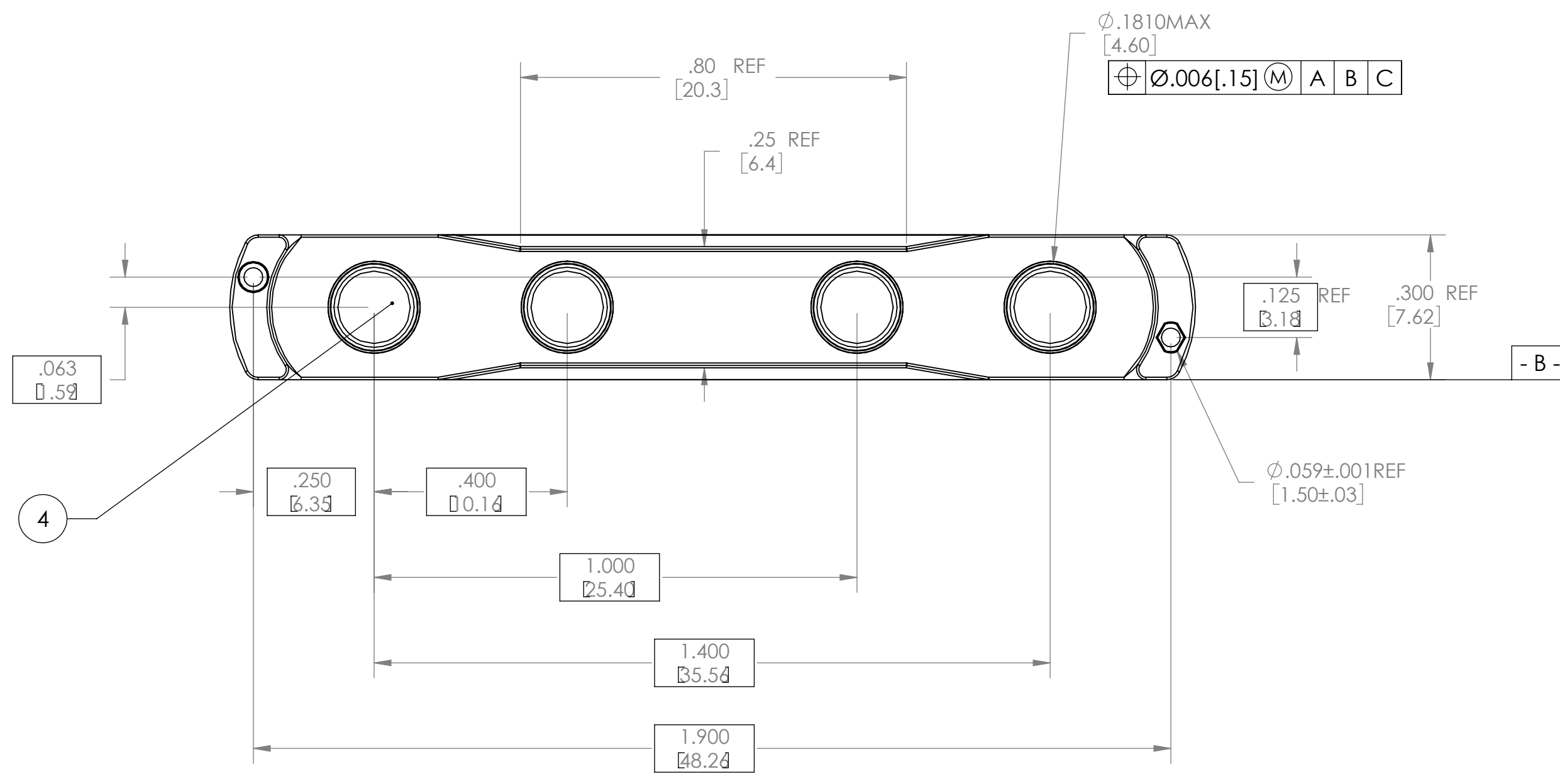
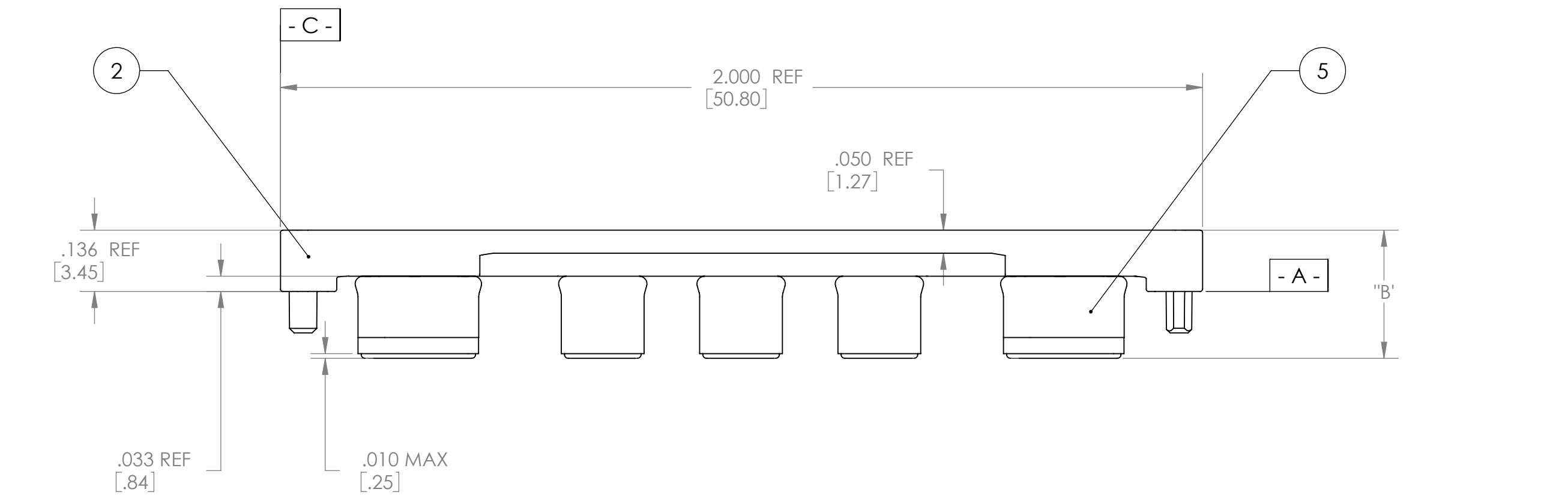
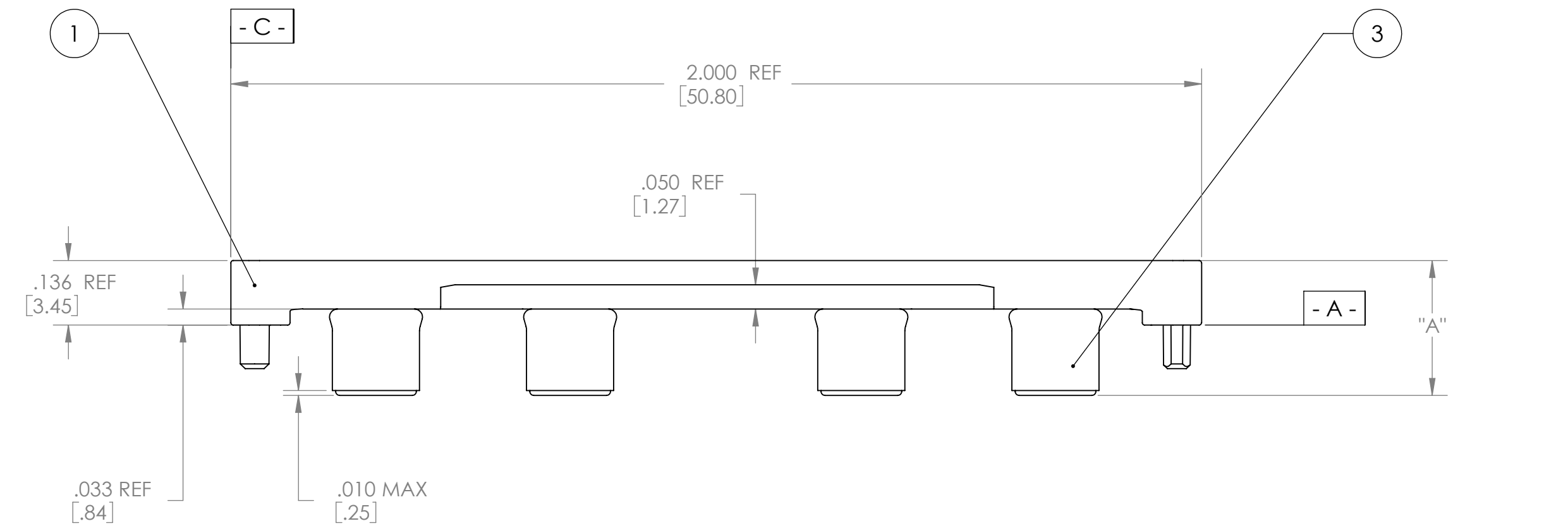
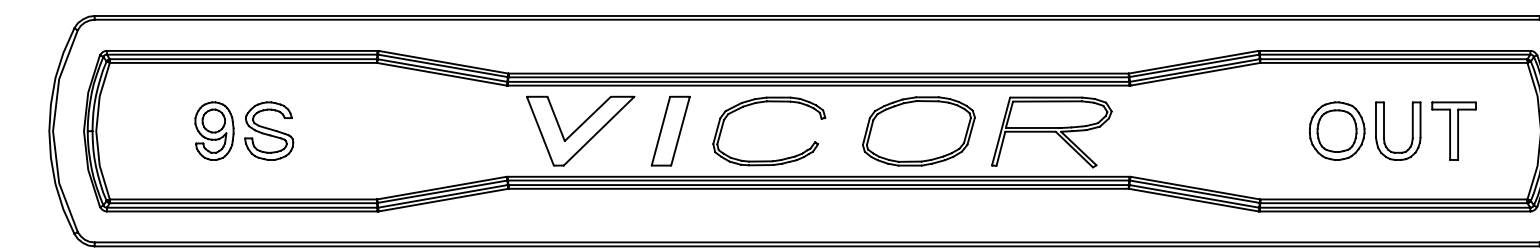
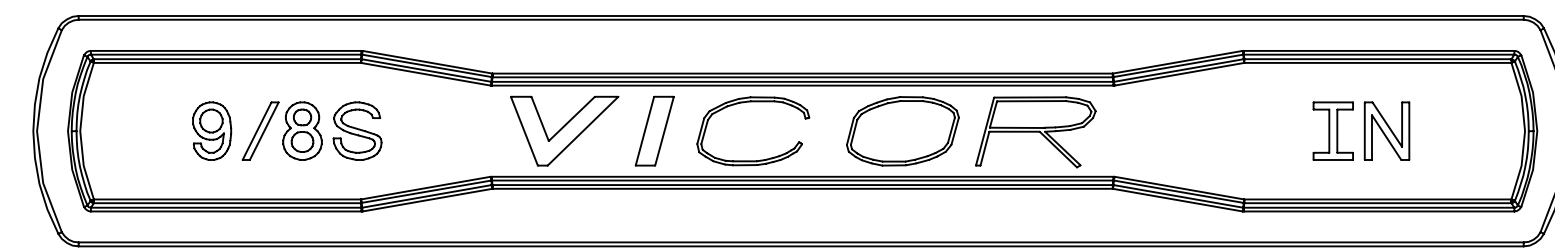
Email & Skype: info@chipsmall.com Web: www.chipsmall.com

Address: A1208, Overseas Decoration Building, #122 Zhenhua RD., Futian, Shenzhen, China



VICOR CONFIDENTIAL  
 THIS DOCUMENT AND THE DATA DISCLOSED HEREIN OR  
 HEREIN IS NOT TO BE REPRODUCED, USED OR  
 DISCLOSED IN WHOLE OR IN PART TO ANYONE WITHOUT  
 THE PERMISSION OF VICOR CORP.

| REV. | DESCRIPTION         | DATE         | APPROVED |
|------|---------------------|--------------|----------|
| 2    | REVISED PER E080070 | SA 01/15/08  | REJH     |
| 3    | REVISED PER E091753 | JS 09/29/09  | REJH     |
| 4    | REVISED PER E092276 | JS 12/30/09  | REJH     |
| 5    | REVISED PER E120065 | VSS 01/20/12 | KUK      |



| DASH NO. | SOCKET BODY LENGTH INCH/MM | DIM "A" INCH/MM | DIM "B" INCH/MM | INPUT | OUTPUT | KIT # |
|----------|----------------------------|-----------------|-----------------|-------|--------|-------|
| -01      | .100/2.54                  | .243/6.17       | .243/6.17       | 18374 | 18382  | 18362 |
| -02      | .135/3.43                  | .278/7.06       | .278/7.06       | 18375 | 18383  | 18363 |

- NOTE:  
 1. MATERIALS: INMATES: PPS RYTON 7  
 SOCKETS: BE-CU #25, Au PLATED.  
 2. FULLY SEAT SOCKET INTO INMATE HEADER.  
 3. ROHS COMPLIANT PER CST-0001 LATEST REVISION.

DRAWN BY: LAP NGUYEN, DATE: 6/99  
 UNLESS OTHERWISE SPECIFIED DIMENSIONS ARE: INCH / (MM)  
 TOLERANCES ARE: DECIMALS: ANGLES: X.XX (X.X) = +0.01 (0.25) ±1° X.XXX (X.XX) = ±0.005 (0.127)  
 THIRD ANGLE PROJECTION  
 DO NOT SCALE DRAWING

SCALE: 4:1

SIZE: D, CAGE CODE: 67131, DWG NO: 18483-XX, REV: 5

SHEET 1 OF 1

VICOR

