



Chipsmall Limited consists of a professional team with an average of over 10 year of expertise in the distribution of electronic components. Based in Hongkong, we have already established firm and mutual-benefit business relationships with customers from,Europe,America and south Asia,supplying obsolete and hard-to-find components to meet their specific needs.

With the principle of “Quality Parts,Customers Priority,Honest Operation,and Considerate Service”,our business mainly focus on the distribution of electronic components. Line cards we deal with include Microchip,ALPS,ROHM,Xilinx,Pulse,ON,Everlight and Freescale. Main products comprise IC,Modules,Potentiometer,IC Socket,Relay,Connector.Our parts cover such applications as commercial,industrial, and automotives areas.

We are looking forward to setting up business relationship with you and hope to provide you with the best service and solution. Let us make a better world for our industry!



Contact us

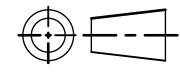
Tel: +86-755-8981 8866 Fax: +86-755-8427 6832

Email & Skype: info@chipsmall.com Web: www.chipsmall.com

Address: A1208, Overseas Decoration Building, #122 Zhenhua RD., Futian, Shenzhen, China

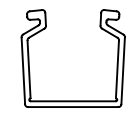


SW2011

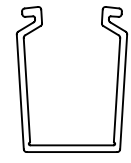


Revision level		Revision Record	Changed	Date	Approved	Date
Drawing	Part					
08	-	SEE ECN# 012210	MHT	01/05/2012	CJR	11/20/2012

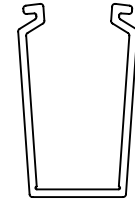
SCALE 1:2



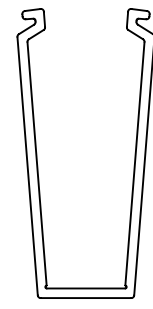
1X1



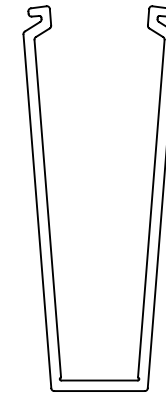
1x1.5



1X2

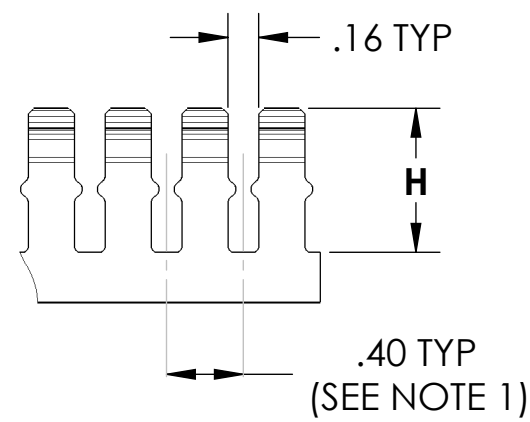


1X3

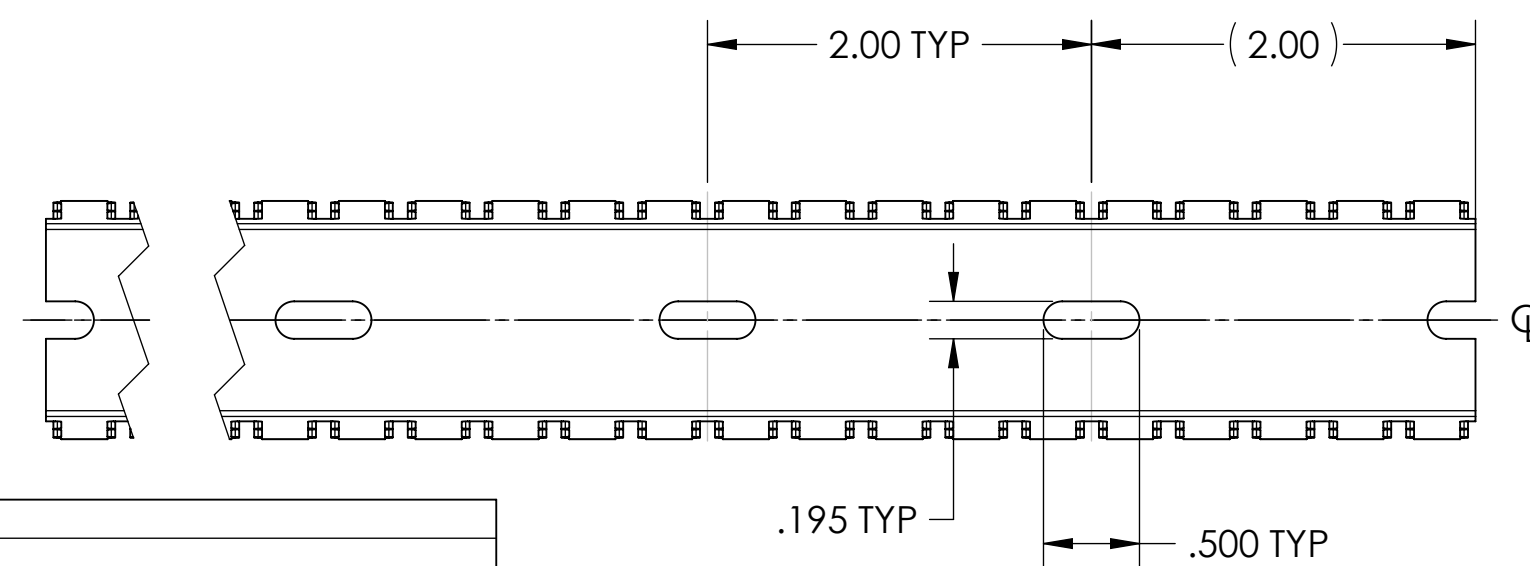
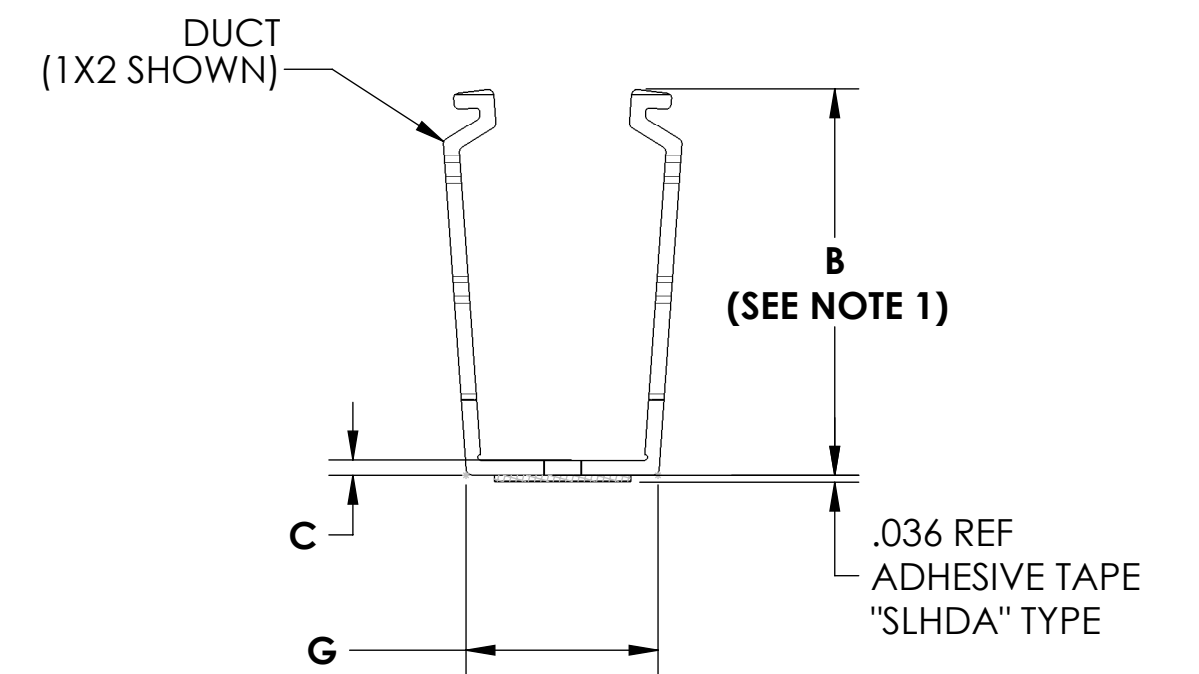
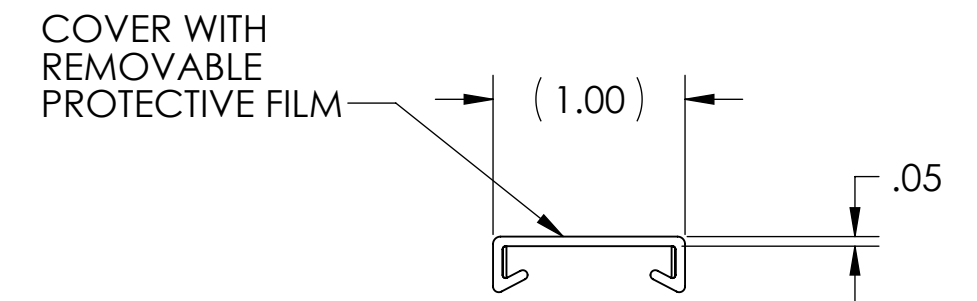
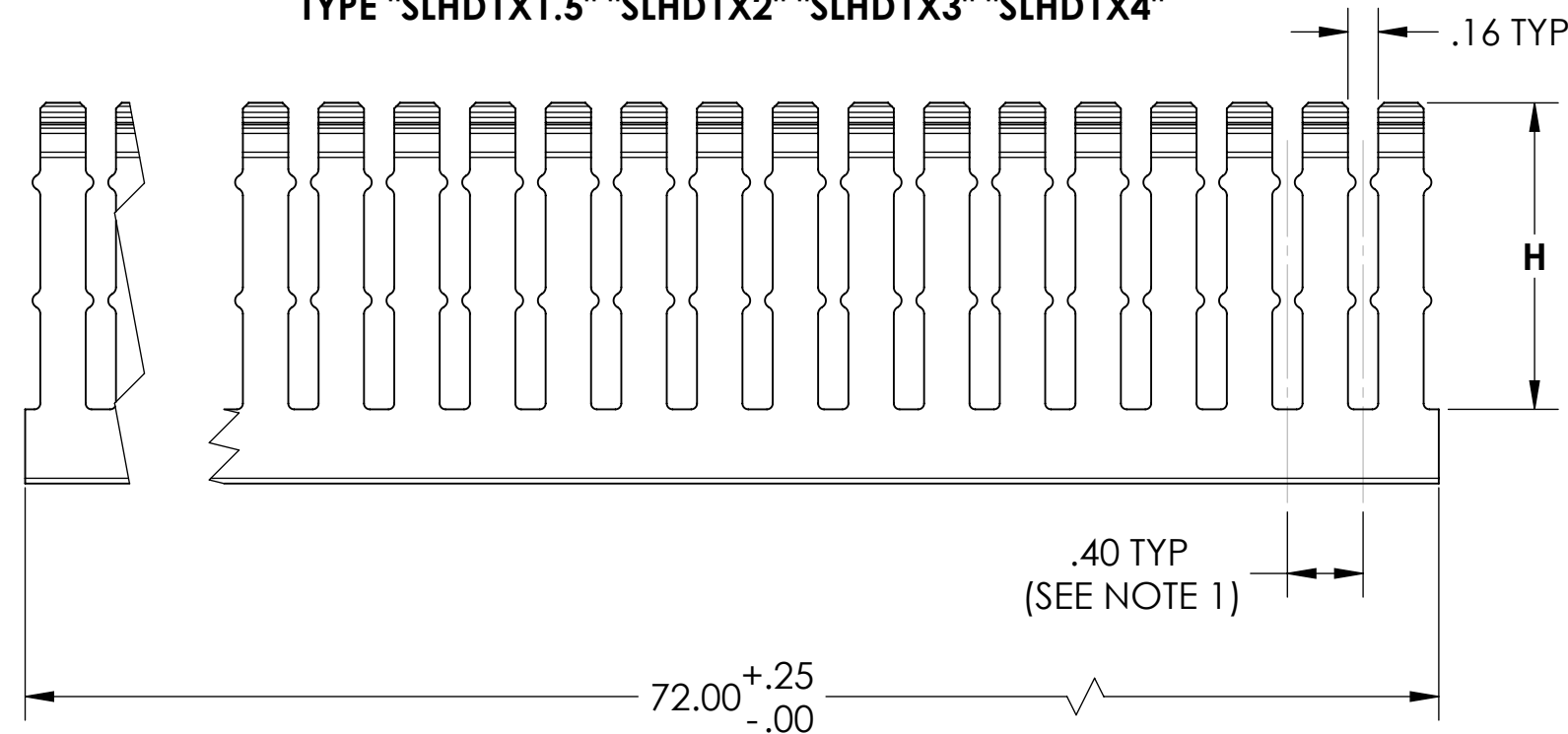


1X4

SLOTTED WALL DUCT
TYPE "SLHD1X1"



SLOTTED WALL DUCT
TYPE "SLHD1X1.5" "SLHD1X2" "SLHD1X3" "SLHD1X4"



50% WIRE FILL CAPACITY		WIRE O.D.																	
DUCT SIZE (WxH)	DUCT AREA (Sq. In.)	12AWG					14AWG				16AWG			18AWG			22AWG		
		12AWG	14AWG	16AWG	18AWG	22AWG	12AWG	14AWG	16AWG	18AWG	22AWG	12AWG	14AWG	16AWG	18AWG	22AWG	12AWG	14AWG	16AWG
1X1	.735	.158	.165	.139	.125	.113	.065	.217	.240	.354	4 Pr. Cat 5e	4 Pr. Cat 6	4 Pr. Cat 6a	10	8	4			
1X1.5	1.135	29	27	37	46	57	171	15	13	6									
1X2	1.515	39	35	50	62	76	228	20	17	8									
1X3	2.220	57	52	73	90	111	335	30	25	11									
1X4	2.936	75	69	97	120	146	443	40	32	15									

TYPE NUMBER	DESCRIPTION	MOUNTING METHOD	B (SEE NOTE 1)	C	G	H
TC1	COVER	-	-	-	-	-
SLHD1X1	HD SLOTTED DUCT	SCREW	1.004 +.020/-0.015	.060 ±.005	1.000 +/--.025	.750 ±.010
SLHD1X1.5	"	"	1.506 +.025/-0.020	.070 ±.005	1.000 +/--.025	1.190 ±.015
SLHD1X2	"	"	2.008 +.025/-0.020	.080 +.005/-0.012	1.000 +.025/-0.039	1.620 ±.015
SLHD1X3	"	"	3.009 +.035/-0.020	.100 ±.010	1.000 +/--.029	2.600 ±.015
SLHD1X4	"	"	4.008 +.045/-0.020	.110 +.008/-0.015/08	1.000 +/--.031	3.600 ±.015
SLHDA1X1	HD SLOTTED DUCT W/ADHES.	ADHESIVE TAPE	1.004 +.020/-0.015	.060 ±.005	1.000 +/--.025	.750 ±.010
SLHDA1X1.5	"	"	1.506 +.025/-0.020	.070 ±.005	1.000 +/--.025	1.190 ±.015
SLHDA1X2	"	"	2.008 +.025/-0.020	.080 +.005/-0.012	1.000 +.025/-0.039	1.620 ±.015
SLHDA1X3	"	"	3.009 +.035/-0.020	.100 ±.010	1.000 +/--.029	2.600 ±.015
SLHDA1X4	"	"	4.008 +.045/-0.020	.110 +.008/-0.015/08	1.000 +/--.031	3.600 ±.015

Notes
1) BOTH SIDES ALIKE WITHIN .015

Material
PVC
AVAILABLE IN WHITE,
GRAY, BLACK, OR BLUE
CONSULT FACTORY FOR
OTHER COLORS
RoHS COMPLIANT

Units inches
Dimension without tolerances
details to:
.xxxx = ±.0005
.xxx = ±.005
.xx = ±.01
.x = ±.03
None = ±.06
∠ = ±0.5°

The copyright of this drawing is reserved by HellermannTyton. It is issued on condition that it is not reproduced, copied, or disclosed to a third party, either wholly or in part, without the consent of HellermannTyton.

Drawn: KAC, 06/17/2009
Approved: [Signature]
Article/Type-No: SEE CHART
Title: 1" WIDE SLHD, SLHDA DUCT WITH COVER
Drawing-No: DT07-021-103CST
Pre-Production : Phase
Scale: 1:1
Project Number: PRP07-021
Format: C
Sheet: 1/1

HellermannTyton
North America
Email: corp@htamericas.com
Web: www.hellermann.tyton.com