



Chipsmall Limited consists of a professional team with an average of over 10 year of expertise in the distribution of electronic components. Based in Hongkong, we have already established firm and mutual-benefit business relationships with customers from,Europe,America and south Asia,supplying obsolete and hard-to-find components to meet their specific needs.

With the principle of “Quality Parts,Customers Priority,Honest Operation,and Considerate Service”,our business mainly focus on the distribution of electronic components. Line cards we deal with include Microchip,ALPS,ROHM,Xilinx,Pulse,ON,Everlight and Freescale. Main products comprise IC,Modules,Potentiometer,IC Socket,Relay,Connector.Our parts cover such applications as commercial,industrial, and automotives areas.

We are looking forward to setting up business relationship with you and hope to provide you with the best service and solution. Let us make a better world for our industry!



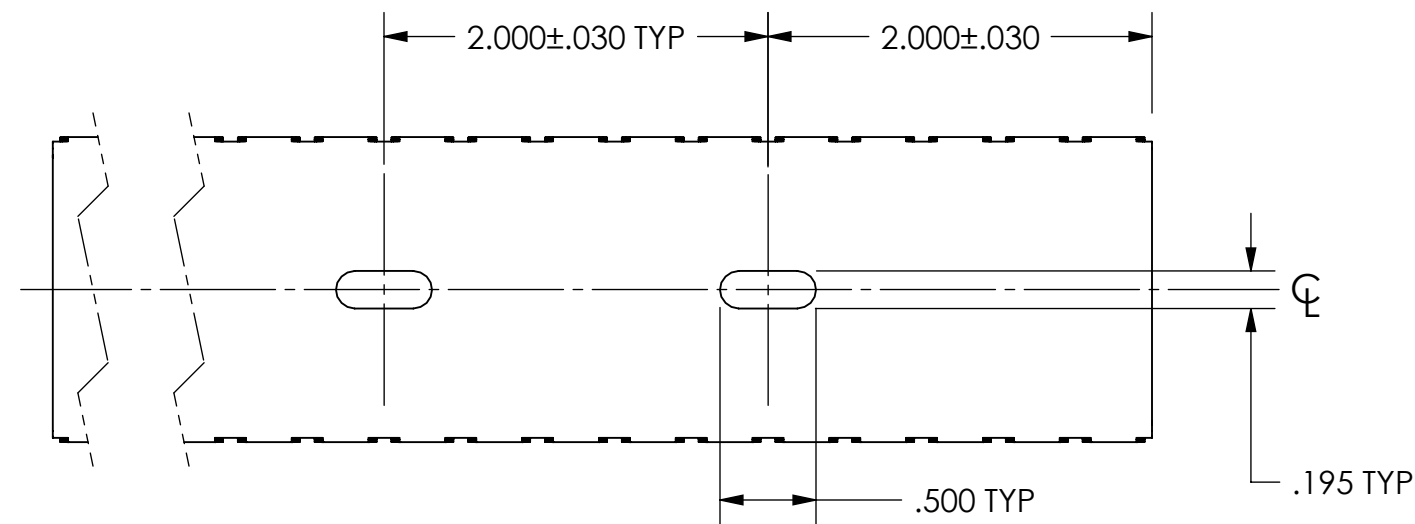
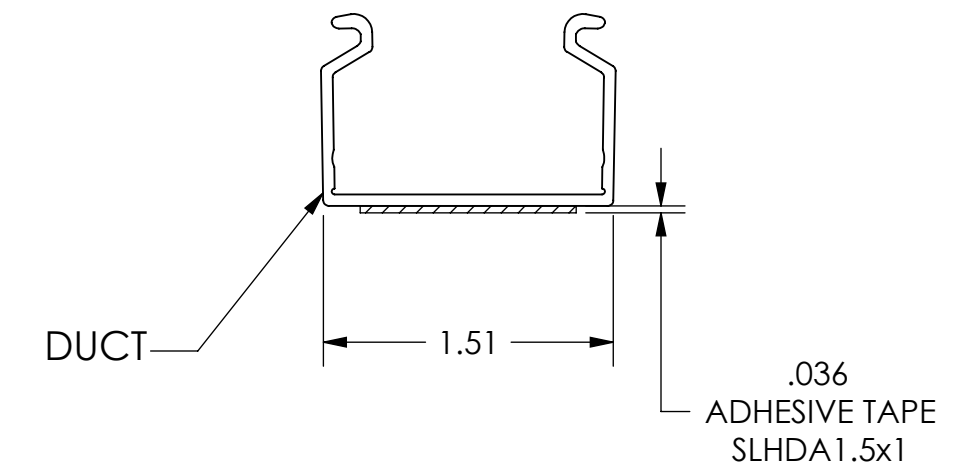
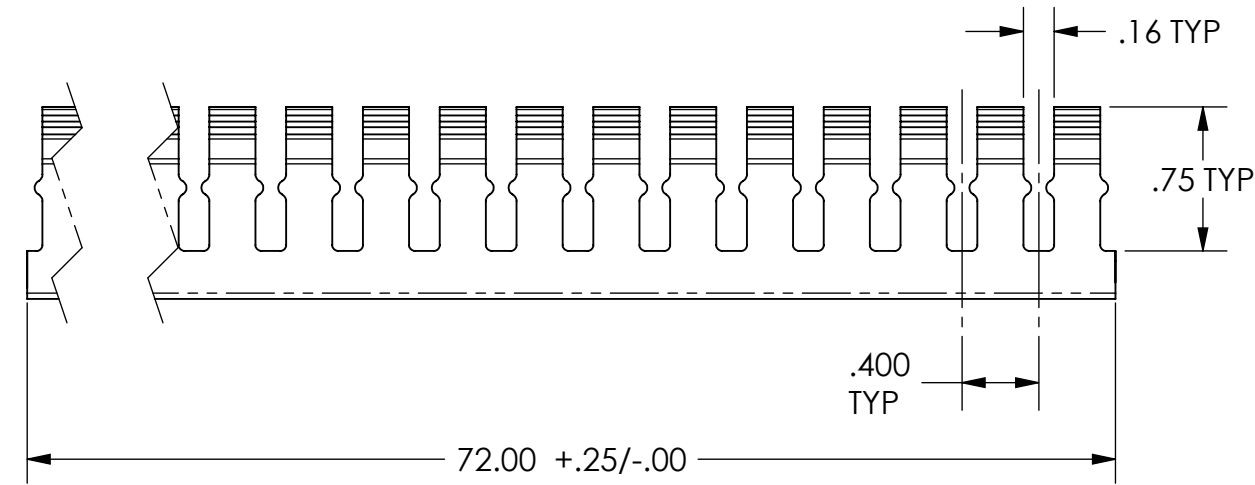
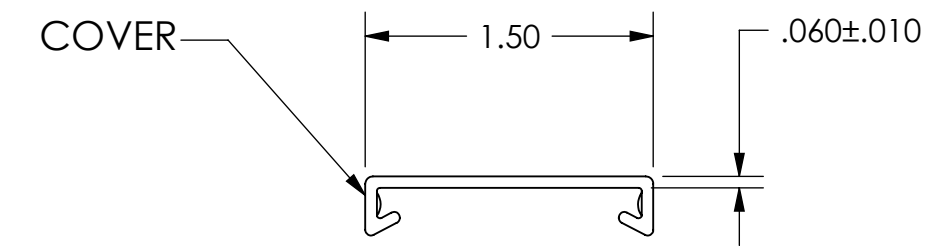
## Contact us

Tel: +86-755-8981 8866 Fax: +86-755-8427 6832

Email & Skype: info@chipsmall.com Web: www.chipsmall.com

Address: A1208, Overseas Decoration Building, #122 Zhenhua RD., Futian, Shenzhen, China





DESCRIPTION	MOUNTING METHOD	TYTON PART No.
SLOTTED DUCT	SCREW	SLHD1.5x1
	ADH. TAPE	SLHDA1.5x1
COVER	N/A	TC1.5

**HellermannTyton®**

ALL PROPRIETARY RIGHTS IN THE SUBJECT MATTER SHOWN ON THIS DRAWING ARE EXCLUSIVE PROPERTY OF HELLERMANN TYTON

name	date	city, state

**NOTES**

1. INSIDE DUCT AREA WITH COVER ON = 1.10IN<sup>2</sup>

**REVISIONS**

level	01
by	PLN
date	03/31/03
ECN #	003744
part level	A

**TOLERANCES**

.xxxx = ±.0005  
 .xxx = ±.005  
 .xx = ±.01  
 .x = ±.03  
 < = ±0.5°  
 unless otherwise specified

units inches

**PART**

number	SEE CHART	phase	PRODUCTION
name	1.5x1 HIGH DENSITY DUCT WITH COVER		
material	PVC STANDARD AND CUSTOM COLORS		

**DRAWING**

format	C	CAD	SW	scale	1:1
version N					
computer file number	DT2011154CST_01		previous number		
drawn	BRAZ	checked	MEF	approved	
date	11/21/96		04/09/03		
type	CUSTOMER			sheet	1 of 1
number	DT2011154CST				