



Chipsmall Limited consists of a professional team with an average of over 10 year of expertise in the distribution of electronic components. Based in Hongkong, we have already established firm and mutual-benefit business relationships with customers from,Europe,America and south Asia,supplying obsolete and hard-to-find components to meet their specific needs.

With the principle of “Quality Parts,Customers Priority,Honest Operation,and Considerate Service”,our business mainly focus on the distribution of electronic components. Line cards we deal with include Microchip,ALPS,ROHM,Xilinx,Pulse,ON,Everlight and Freescale. Main products comprise IC,Modules,Potentiometer,IC Socket,Relay,Connector.Our parts cover such applications as commercial,industrial, and automotives areas.

We are looking forward to setting up business relationship with you and hope to provide you with the best service and solution. Let us make a better world for our industry!



## Contact us

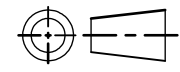
Tel: +86-755-8981 8866 Fax: +86-755-8427 6832

Email & Skype: info@chipsmall.com Web: www.chipsmall.com

Address: A1208, Overseas Decoration Building, #122 Zhenhua RD., Futian, Shenzhen, China

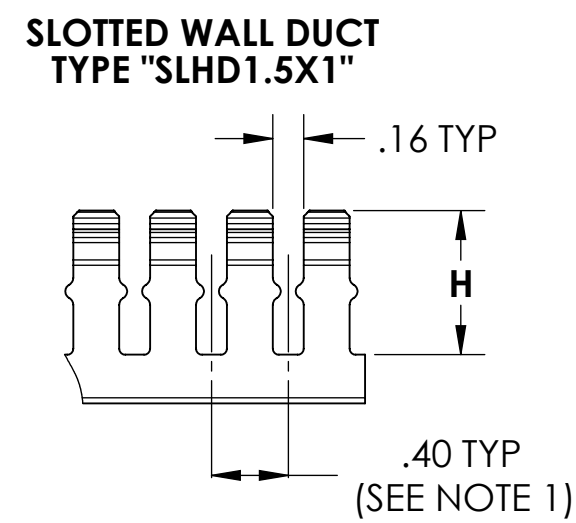
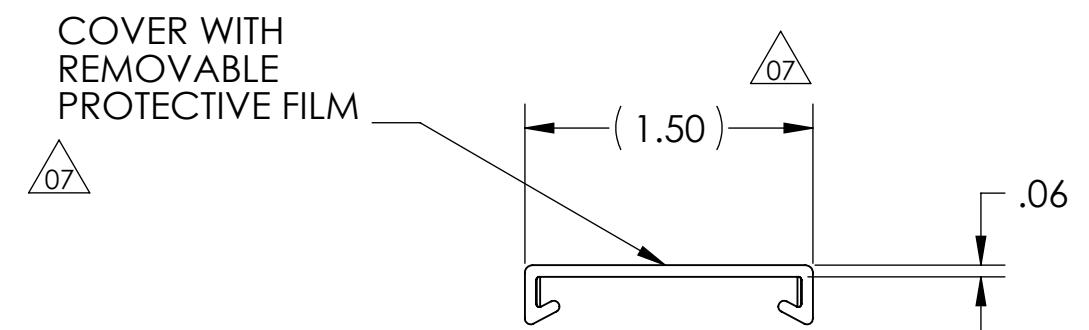
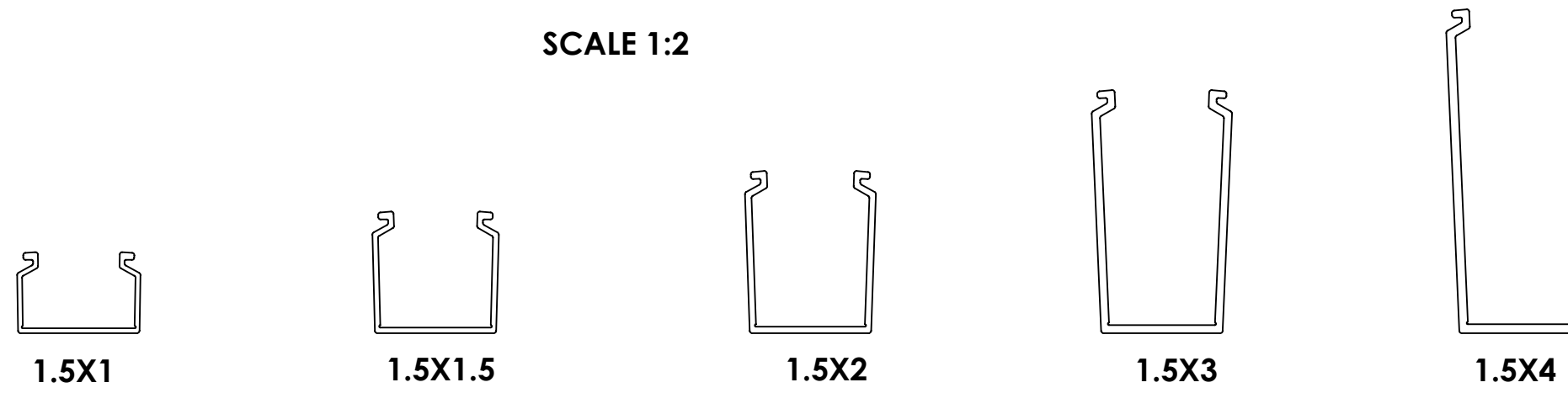


SW2010

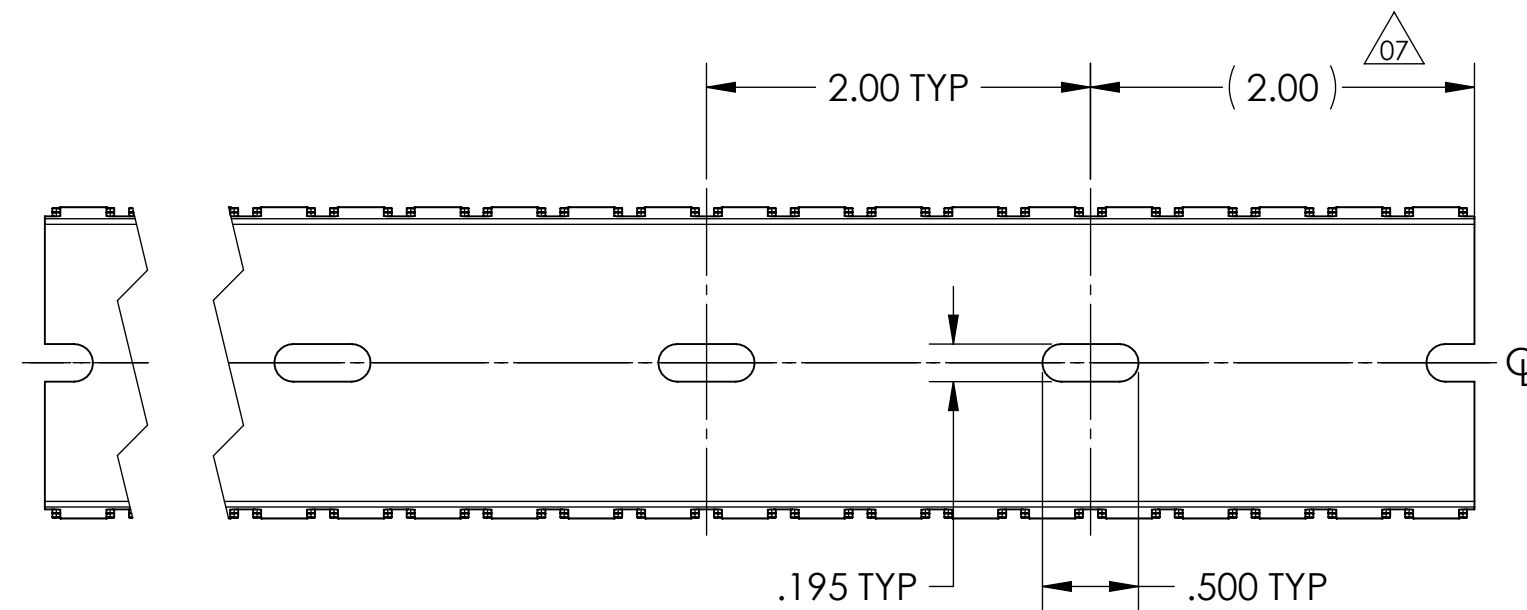
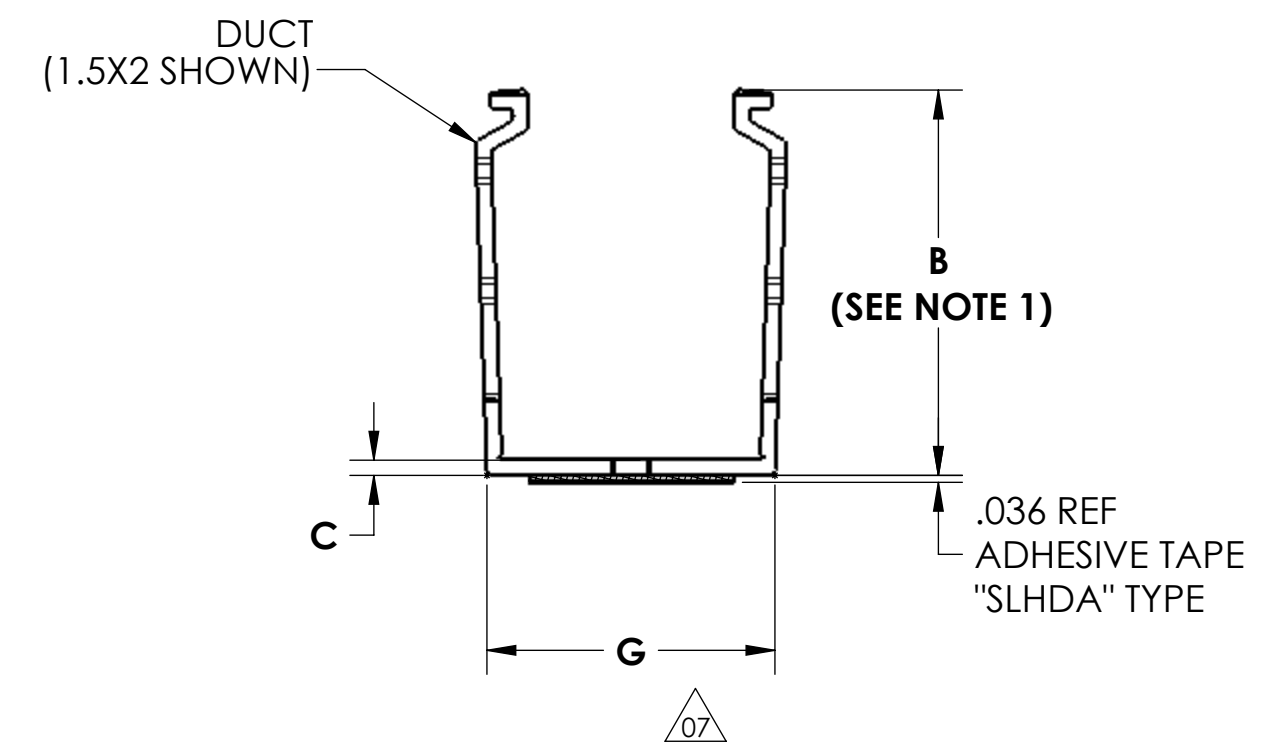
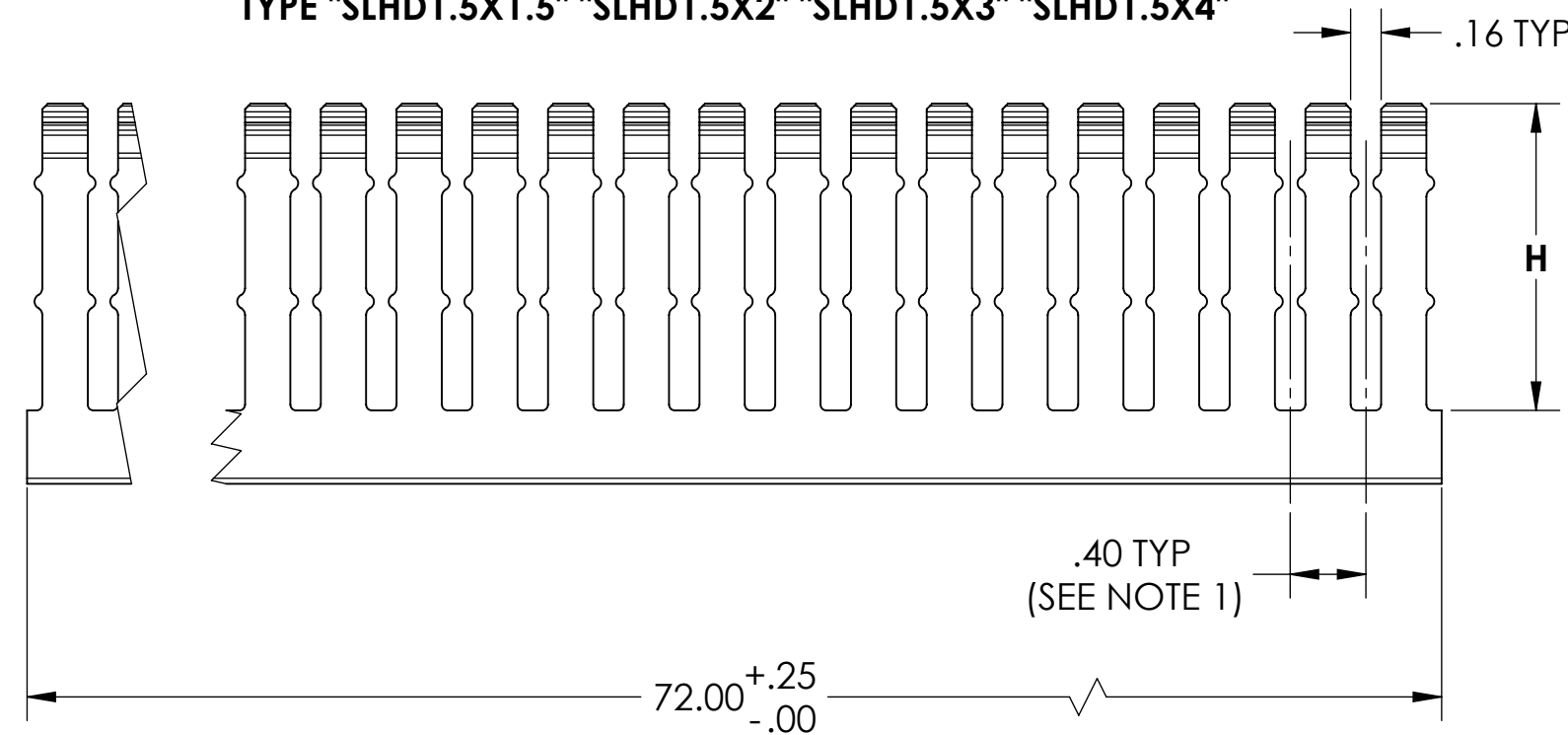


Revision level		Revision Record	Changed	Date	Approved	Date
Drawing	Part					
07	-	SEE ECN# 100016	MHT	01/06/2012	MHT	02/01/2012

SCALE 1:2



SLOTTED WALL DUCT  
TYPE "SLHD1.5X1.5" "SLHD1.5X2" "SLHD1.5X3" "SLHD1.5X4"



50% WIRE FILL CAPACITY

DUCT SIZE (WxH)	DUCT AREA (Sq. In.)	WIRE O.D.																	
		12AWG					14AWG				16AWG			18AWG			22AWG		
		TWISTED PAIR 24 AWG UNSHIELDED			TWISTED PAIR 24 AWG UNSHIELDED			TWISTED PAIR 24 AWG UNSHIELDED			TWISTED PAIR 24 AWG UNSHIELDED			TWISTED PAIR 24 AWG UNSHIELDED					
1.5X1	1.205	31	28	40	49	60	182	16	13	6	47	43	61	75	92	279	25	20	9
1.5X1.5	1.850	47	43	61	75	92	279	25	20	9	63	58	82	101	123	373	33	27	13
1.5X2	2.475	63	58	82	101	123	373	33	27	13	94	86	121	150	183	553	50	41	19
1.5X3	3.669	94	86	121	150	183	553	50	41	19	125	114	161	199	243	736	66	54	25
1.5X4	4.881	125	114	161	199	243	736	66	54	25									

TYPE NUMBER	DESCRIPTION	MOUNTING METHOD	B (SEE NOTE 1)	C	G	H
TC1.5	COVER	-	-	-	-	-
SLHD1.5X1	HD SLOTTED DUCT	SCREW	1.004 +.020/-0.015	.060 ±.005	1.500 +/- .025	.750 ±.010
SLHD1.5X1.5	"	"	1.506 +.025/-0.020	.070 +.008/-0.005	1.500 +/- .025	1.190 ±.015
SLHD1.5X2	"	"	2.008 +.025/-0.020	.080 ±.005	1.500 +/- .025	1.620 ±.015
SLHD1.5X3	"	"	3.009 +.035/-0.020	.100 +.007/-0.011	1.500 +.029/-0.037	2.600 ±.015
SLHD1.5X4	"	"	4.008 +.045/-0.020	.110 +.008/-0.015	1.500 +/- .031	3.600 ±.015
SLHDA1.5X1	HD SLOTTED DUCT W/ADHES.	ADHESIVE TAPE	1.004 +.020/-0.015	.060 ±.005	1.500 +/- .025	.750 ±.010
SLHDA1.5X1.5	"	"	1.506 +.025/-0.020	.070 +.008/-0.005	1.500 +/- .025	1.190 ±.015
SLHDA1.5X2	"	"	2.008 +.025/-0.020	.080 ±.005	1.500 +/- .025	1.620 ±.015
SLHDA1.5X3	"	"	3.009 +.035/-0.020	.100 +.007/-0.011	1.500 +.029/-0.037	2.600 ±.015
SLHDA1.5X4	"	"	4.008 +.045/-0.020	.110 +.008/-0.015	1.500 +/- .031	3.600 ±.015

Notes  
1) BOTH SIDES ALIKE WITHIN .015



Material  
PVC AVAILABLE IN WHITE, GRAY, BLACK, OR BLUE CONSULT FACTORY FOR OTHER COLORS RoHS COMPLIANT

Units inches  
Dimension without tolerances details to:  
.xxxx = ±.0005  
.xxx = ±.005  
.xx = ±.01  
.x = ±.03  
None = ±.06  
∠ = ±0.5°

The copyright of this drawing is reserved by HellermannTyton. It is issued on condition that it is not reproduced, copied, or disclosed to a third party, either wholly or in part, without the consent of HellermannTyton.

Drawn KAC 06/17/2009  
Approved  
HellermannTyton  
North America  
Email: corp@htamericas.com  
Web: www.hellermann.tyton.com

Article/Type-No SEE CHART  
Title 1.5" WIDE SLHD, SLHDA DUCT WITH COVER  
Drawing-No DT07-021-153CST  
Pre-Production : Phase  
Scale 1:1  
Project Number PRP07-021  
Format C  
Sheet 1/1