



Chipsmall Limited consists of a professional team with an average of over 10 year of expertise in the distribution of electronic components. Based in Hongkong, we have already established firm and mutual-benefit business relationships with customers from,Europe,America and south Asia,supplying obsolete and hard-to-find components to meet their specific needs.

With the principle of "Quality Parts,Customers Priority,Honest Operation,and Considerate Service",our business mainly focus on the distribution of electronic components. Line cards we deal with include Microchip,ALPS,ROHM,Xilinx,Pulse,ON,Everlight and Freescale. Main products comprise IC,Modules,Potentiometer,IC Socket,Relay,Connector.Our parts cover such applications as commercial,industrial, and automotives areas.

We are looking forward to setting up business relationship with you and hope to provide you with the best service and solution. Let us make a better world for our industry!



Contact us

Tel: +86-755-8981 8866 Fax: +86-755-8427 6832

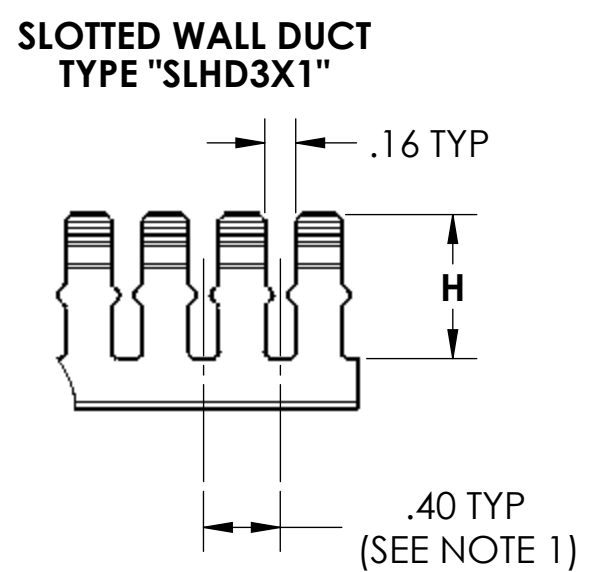
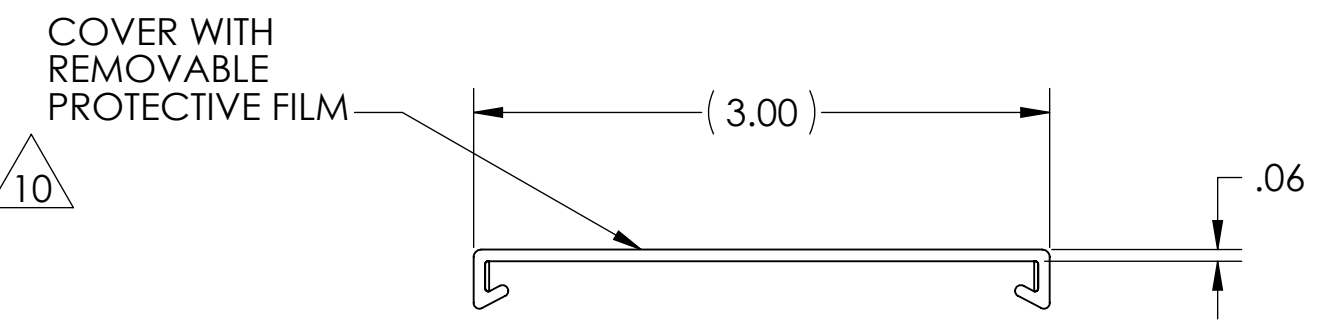
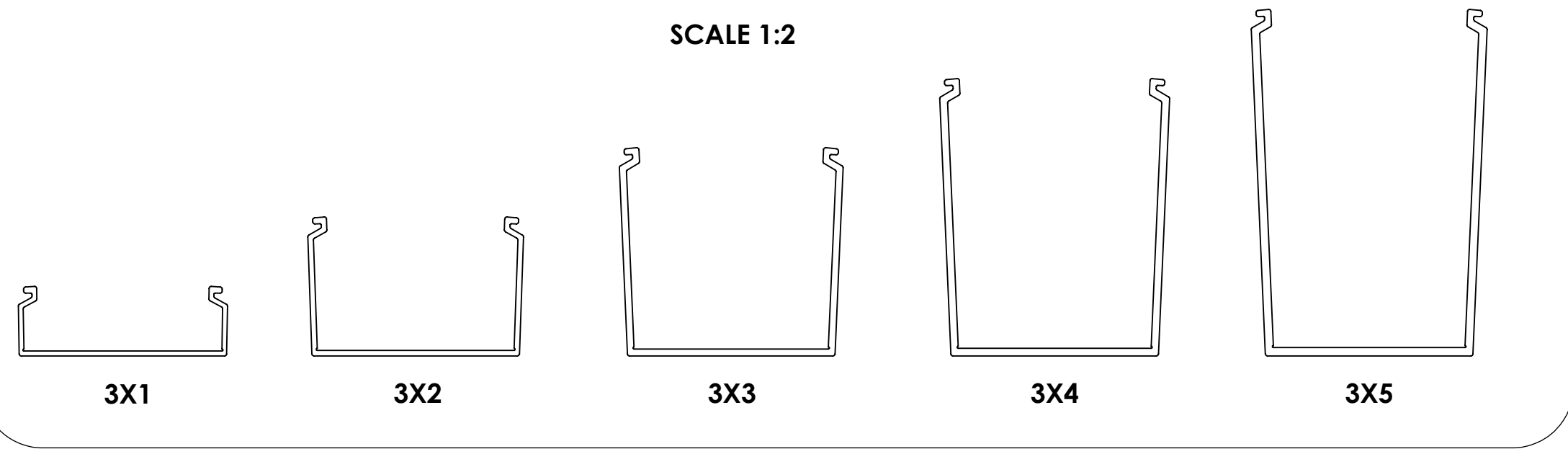
Email & Skype: info@chipsmall.com Web: www.chipsmall.com

Address: A1208, Overseas Decoration Building, #122 Zhenhua RD., Futian, Shenzhen, China

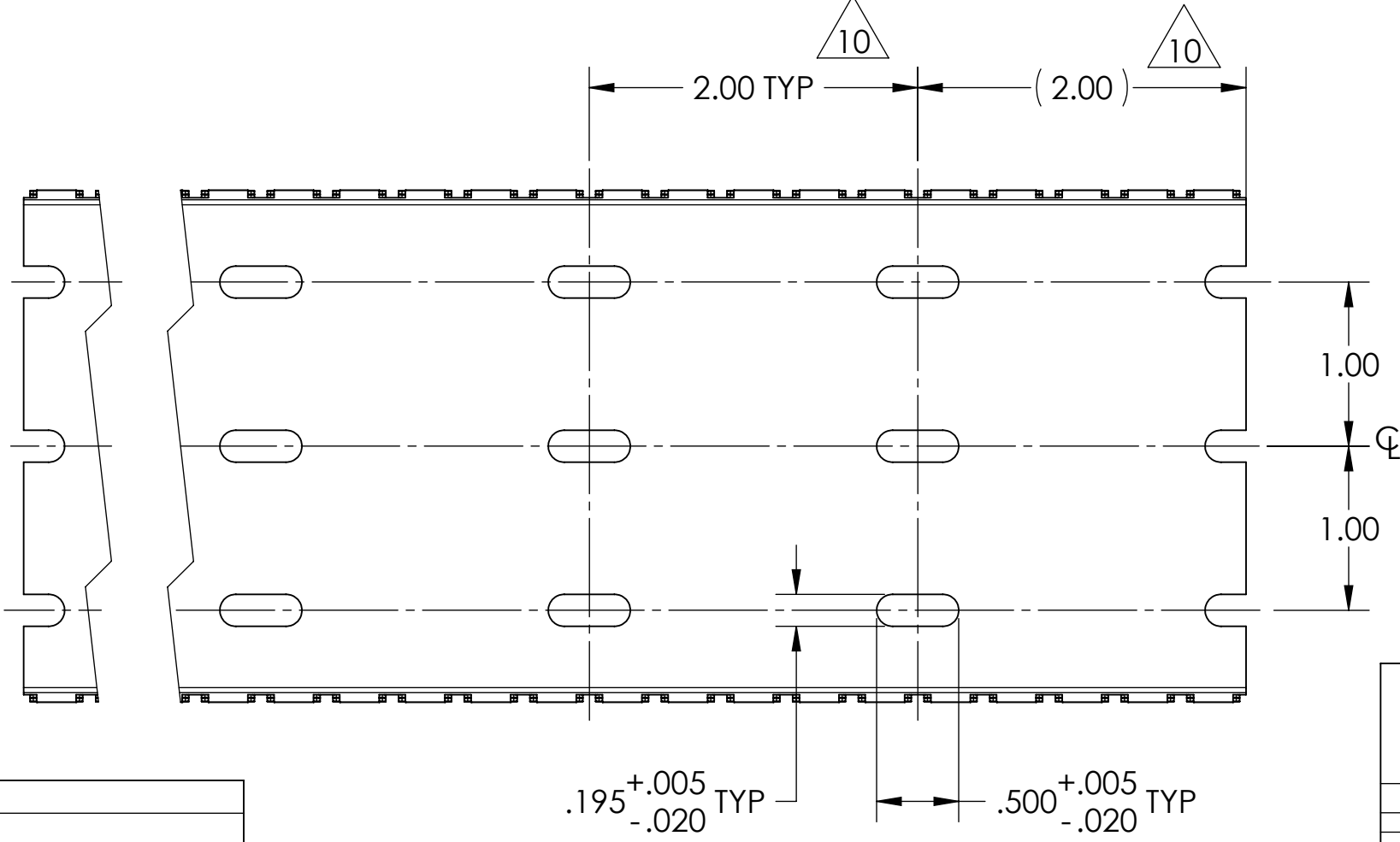
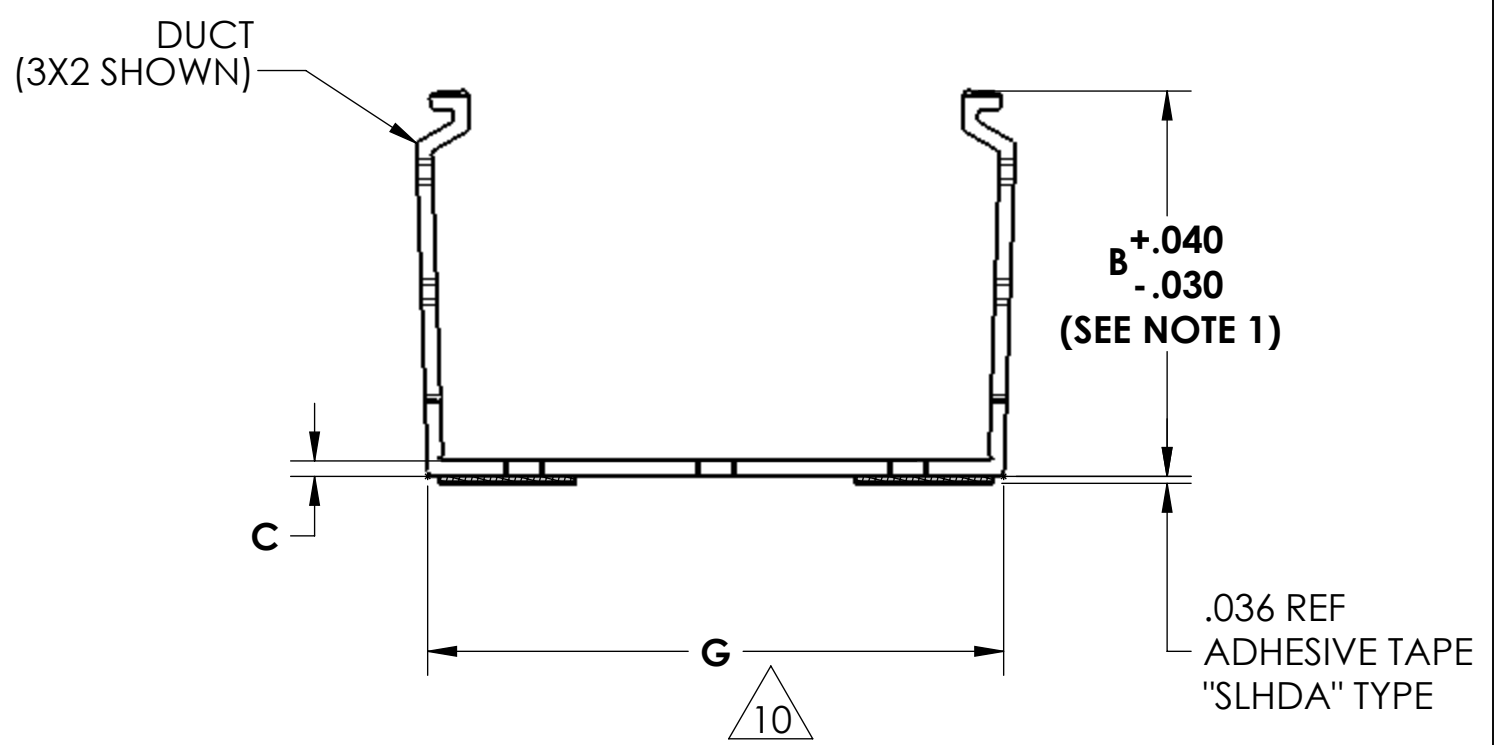
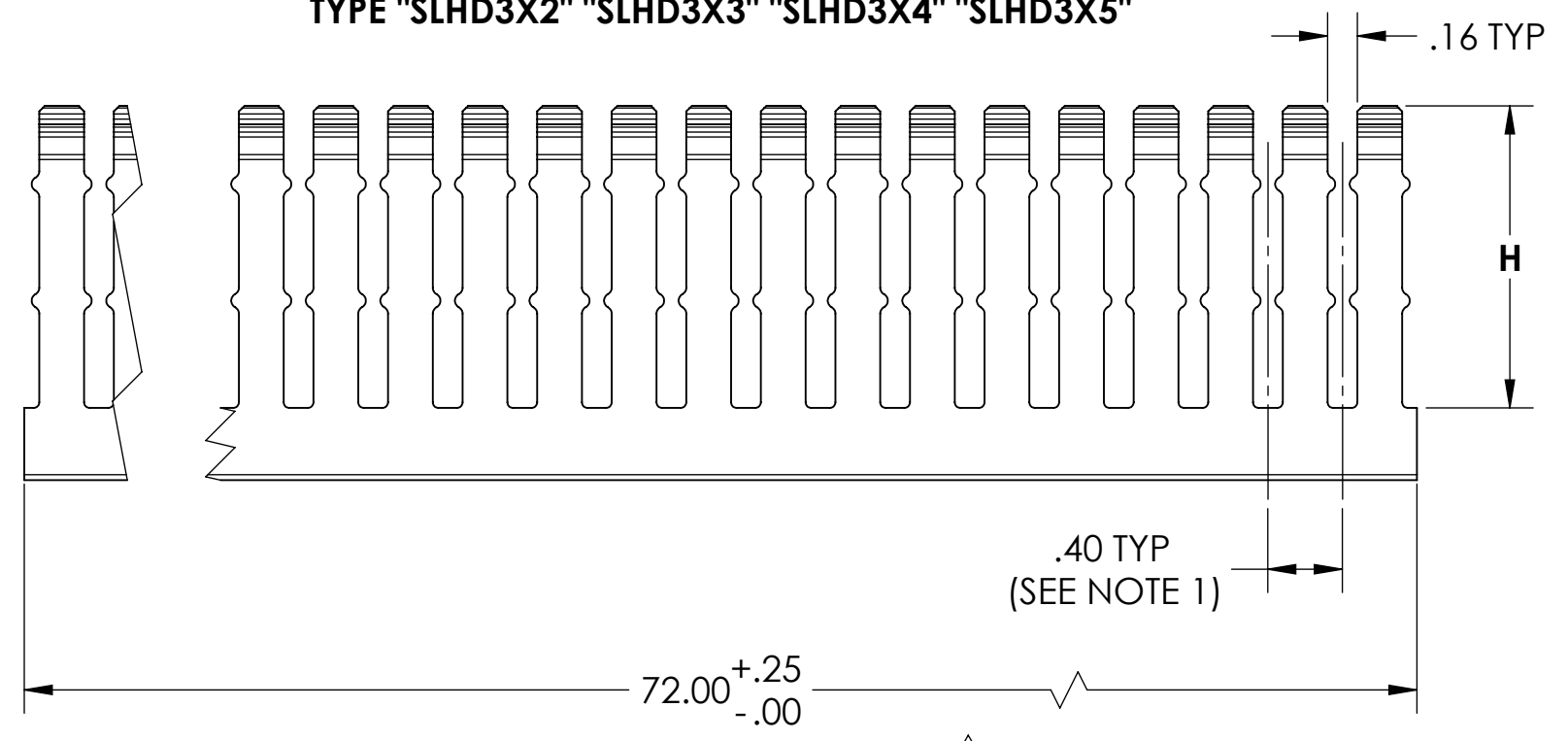


SCALE 1:2

Revision level		Revision Record	Changed	Date	Approved	Date
Drawing	Part					
10	-	SEE ECN# 100016	MHT	01/09/2012	MHT	02/06/2012



SLOTTED WALL DUCT
TYPE "SLHD3X2" "SLHD3X3" "SLHD3X4" "SLHD3X5"



50% WIRE FILL CAPACITY													
DUCT SIZE (WxH)	DUCT AREA (Sq. In.)	WIRE O.D.											
		12AWG					14AWG				16AWG		
		12AWG	14AWG	16AWG	18AWG	22AWG	TWISTED PAIR 24 AWG UNSHIELDED						
		.158	.165	.139	.125	.113	.065	.217	.240	.354			
3X1	2.573	66	60	85	105	128	388	35	28	13			
3X2	5.364	137	125	177	219	268	809	73	59	27			
3X3	8.028	205	188	265	327	400	1210	109	89	41			
3X4	10.724	274	251	354	437	535	1617	145	119	55			
3X5	13.368	341	313	441	545	667	2015	181	148	68			

TYPE NUMBER	DESCRIPTION	MOUNTING METHOD	B	C	G	H
TC3	COVER	-	-	-	-	-
SLHD3X1	HD SLOTTED DUCT	SCREW	1.0	.070 ± .005	3.000 +/- .025	.750 ± .010
SLHD3X2	"	"	2.0	.080 ± .005	3.000 +/- .025	1.620 ± .015
SLHD3X3	"	"	3.0	.100 ± .015 / -.007	3.000 +/- .029	2.600 ± .015
SLHD3X4	"	"	4.0	.110 ± .008	3.000 +/- .031	3.600 ± .015
SLHD3X5	"	"	5.0	.120 ± .009	3.000 +/- .033	4.600 ± .015
SLHDA3X1	HD SLOTTED DUCT W/ADHES.	ADHESIVE TAPE	1.0	.070 ± .005	3.000 +/- .025	.750 ± .010
SLHDA3X2	"	"	2.0	.080 ± .005	3.000 +/- .025	1.620 ± .015
SLHDA3X3	"	"	3.0	.100 ± .015 / -.007	3.000 +/- .029	2.600 ± .015
SLHDA3X4	"	"	4.0	.110 ± .008	3.000 +/- .031	3.600 ± .015
SLHDA3X5	"	"	5.0	.120 ± .009	3.000 +/- .033	4.600 ± .015

Notes
1) BOTH SIDES ALIKE WITHIN .015



Material
PVC
AVAILABLE IN WHITE,
GRAY, BLACK, OR BLUE
CONSULT FACTORY FOR
OTHER COLORS
RoHS COMPLIANT

Units inches
Dimension without tolerances
details to:
.xxxx = ±.0005
.xxx = ±.005
.xx = ±.01
.x = ±.03
None = ±.06
∠ = ±0.5°

The copyright of this drawing is reserved by HellermannTyton. It is issued on condition that it is not reproduced, copied, or disclosed to a third party, either wholly or in part, without the consent of HellermannTyton.

Drawn KAC 06/22/2009
Approved
HellermannTyton
North America
Email: corp@htamericas.com
Web: www.hellermann.tyton.com

Article/Type-No SEE CHART
Title 3" WIDE SLHD, SLHDA DUCT WITH COVER
Drawing-No DT07-021-303CST
Pre-Production : Phase
Scale 1:1
Project Number PRP07-021
Format C
Sheet 1/1