



Chipsmall Limited consists of a professional team with an average of over 10 year of expertise in the distribution of electronic components. Based in Hongkong, we have already established firm and mutual-benefit business relationships with customers from,Europe,America and south Asia,supplying obsolete and hard-to-find components to meet their specific needs.

With the principle of “Quality Parts,Customers Priority,Honest Operation,and Considerate Service”,our business mainly focus on the distribution of electronic components. Line cards we deal with include Microchip,ALPS,ROHM,Xilinx,Pulse,ON,Everlight and Freescale. Main products comprise IC,Modules,Potentiometer,IC Socket,Relay,Connector.Our parts cover such applications as commercial,industrial, and automotives areas.

We are looking forward to setting up business relationship with you and hope to provide you with the best service and solution. Let us make a better world for our industry!



Contact us

Tel: +86-755-8981 8866 Fax: +86-755-8427 6832

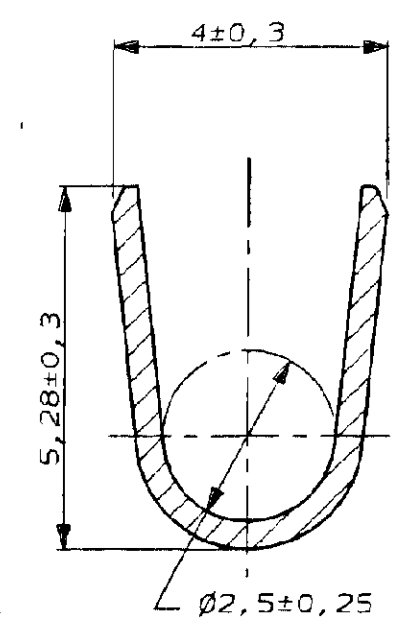
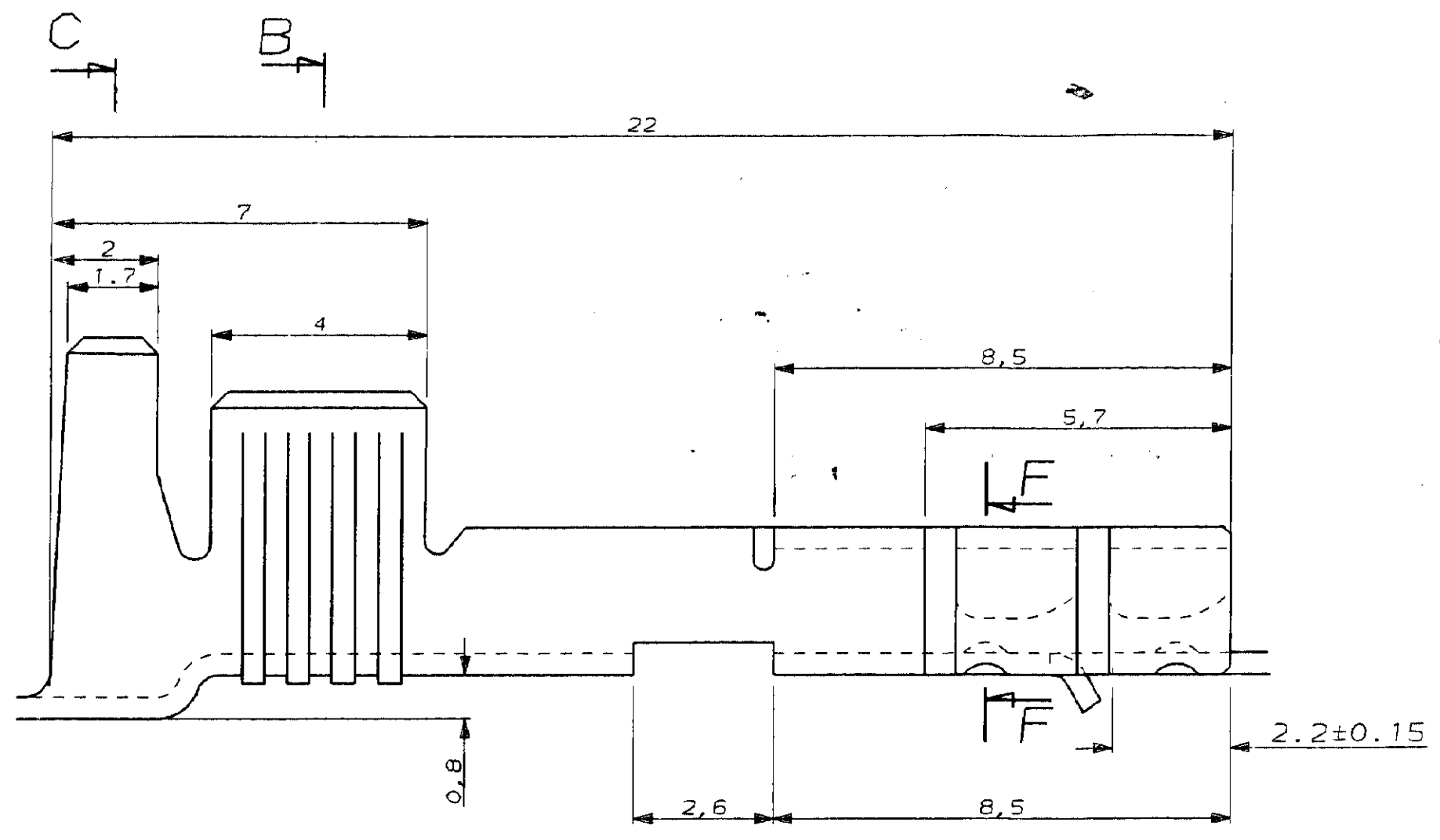
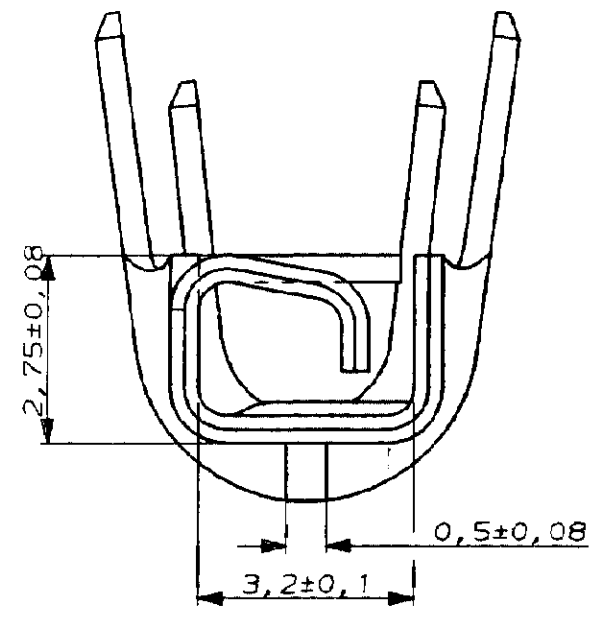
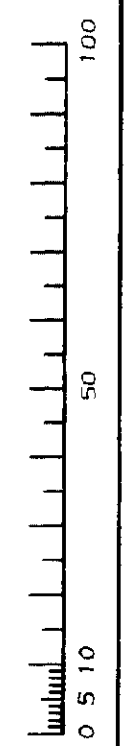
Email & Skype: info@chipsmall.com Web: www.chipsmall.com

Address: A1208, Overseas Decoration Building, #122 Zhenhua RD., Futian, Shenzhen, China

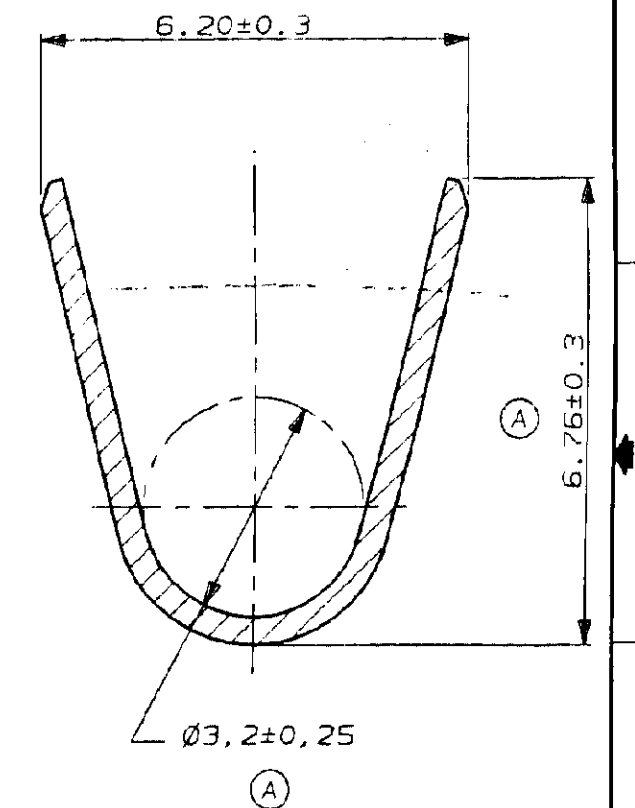


N° C142753

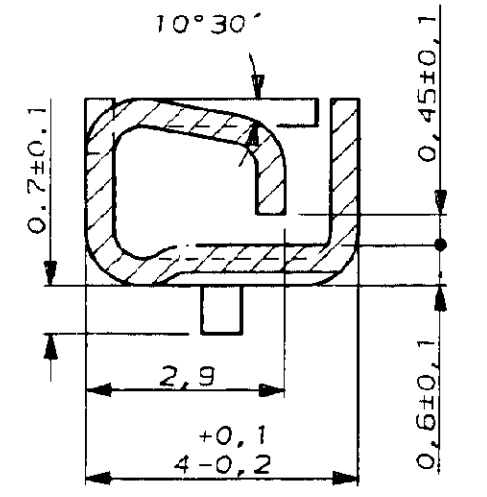
A2



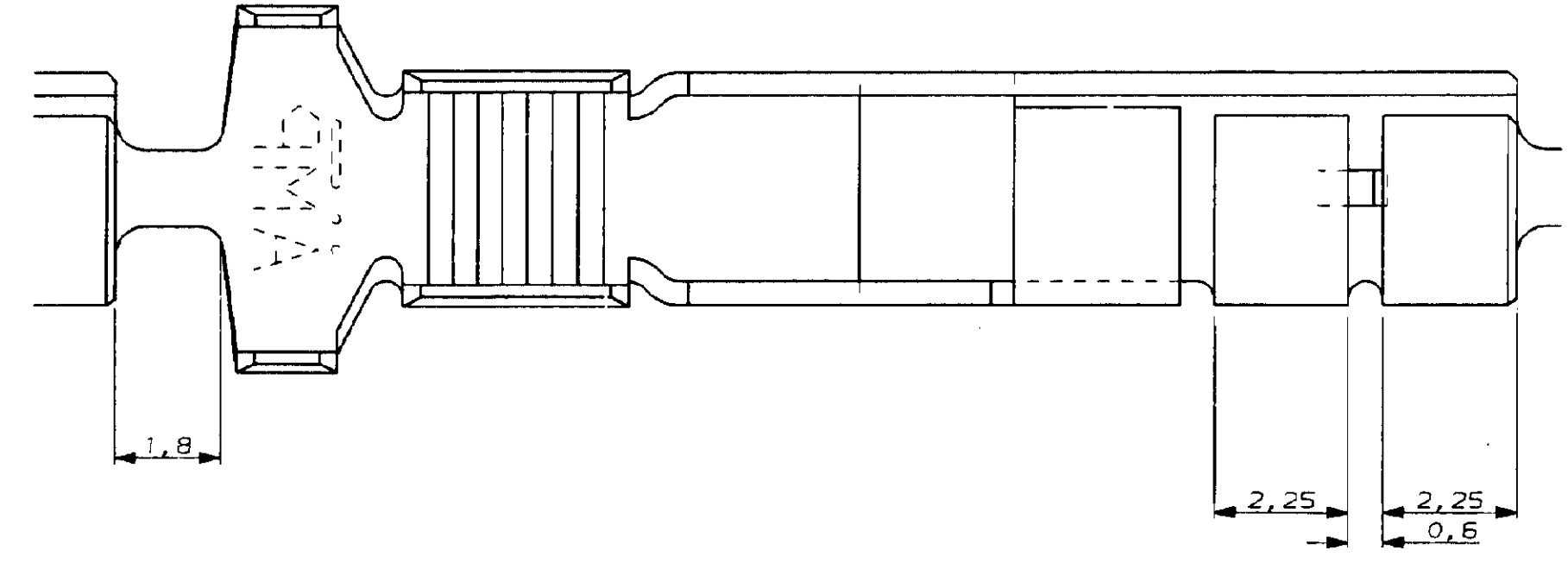
SECTION B-B



SECTION C-C



SECTION F-F



DIMENSIONS IN mm.
DO NOT SCALE PRINT
Dimensions en mm.
Reproduction part o. l'echelle

DIST

AMP 1254/03-83

-	-	142753-2	RECEPTACLE	ETAMAGE	REP.
-	-	-	DESIGNATION	FINITION	-
-	-	©1987 BY AMP INCORPORATED ALL RIGHTS RESERVED. AMP PRODUCTS COVERED BY PATENTS AND/OR PATENTS PENDING.		DESSIN CLIENT UNIQUEMENT POUR REFERENCES	
-	-	DESSINE LE	MATIERE (B)	AMP	AMP DE FRANCE
-	-	12/01/87	CUIVRE HAUTE CONDUCT.		95301 PONTOISE
-	-	PAR	FINITION		
-	-	JCJ	ETAMAGE	CLASSE	
-	-	VERIFIE LE			
-	-	PAR	DIMENS. FIL	ISOLANT	PAS 23.8±0.15
-	-	-	3 A 4 mm²	Ø3.5MAX	
B	CHANGE MATIERE	JCJ	PLAN FAIT EN	TOLERANCES	ECHELLE
A	REVISE AILE ISOLANT	JCJ	CAO	SAUF INDICATION ± 0.2	10/1
REV	MODIFICATIONS	DES	DATE	ne pas modifier le colque	
			MIC DE PUISSANCE MK4 - RECEPTACLE		

PLAN CLIENT