



Chipsmall Limited consists of a professional team with an average of over 10 year of expertise in the distribution of electronic components. Based in Hongkong, we have already established firm and mutual-benefit business relationships with customers from,Europe,America and south Asia,supplying obsolete and hard-to-find components to meet their specific needs.

With the principle of "Quality Parts,Customers Priority,Honest Operation,and Considerate Service",our business mainly focus on the distribution of electronic components. Line cards we deal with include Microchip,ALPS,ROHM,Xilinx,Pulse,ON,Everlight and Freescale. Main products comprise IC,Modules,Potentiometer,IC Socket,Relay,Connector.Our parts cover such applications as commercial,industrial, and automotives areas.

We are looking forward to setting up business relationship with you and hope to provide you with the best service and solution. Let us make a better world for our industry!



Contact us

Tel: +86-755-8981 8866 Fax: +86-755-8427 6832

Email & Skype: info@chipsmall.com Web: www.chipsmall.com

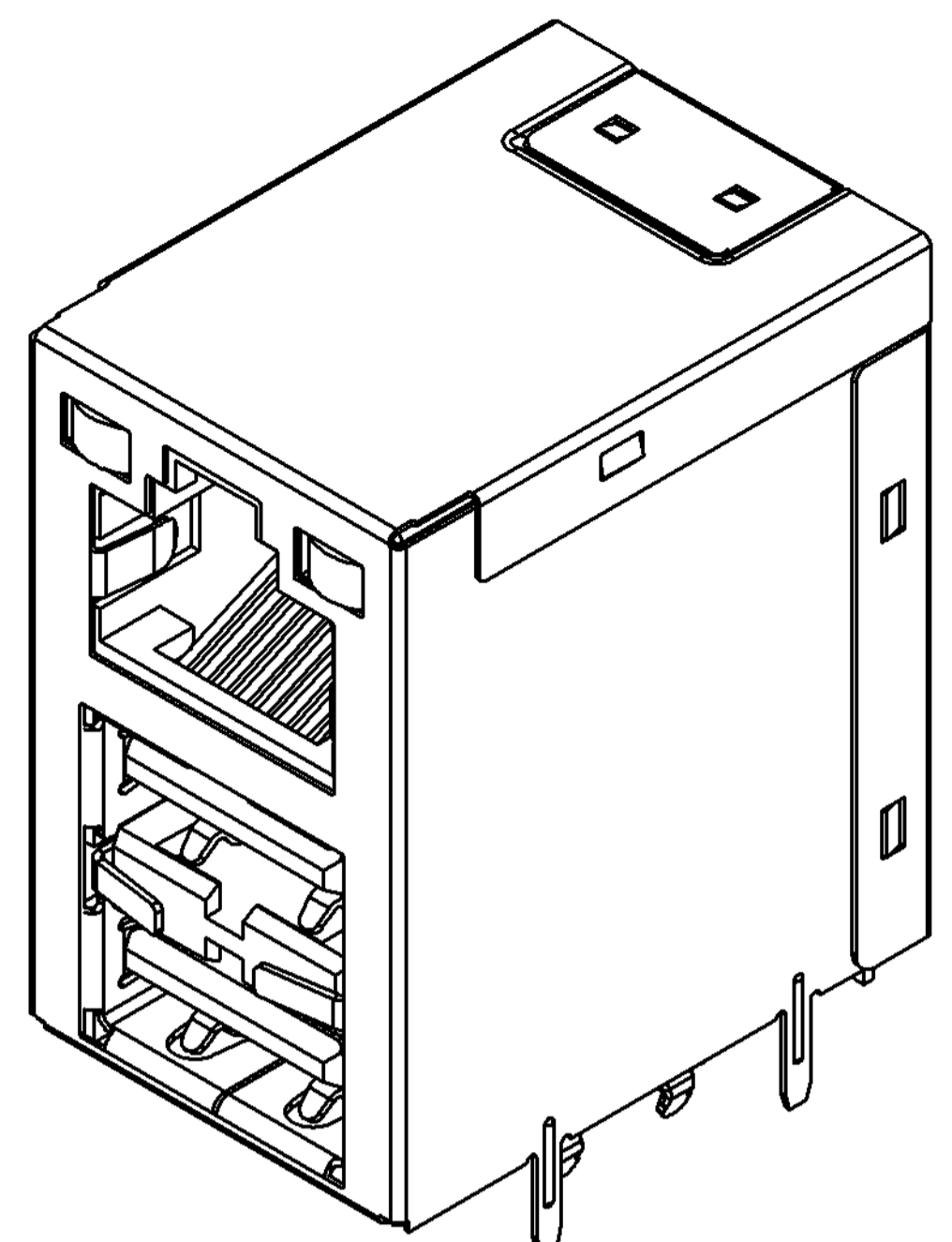
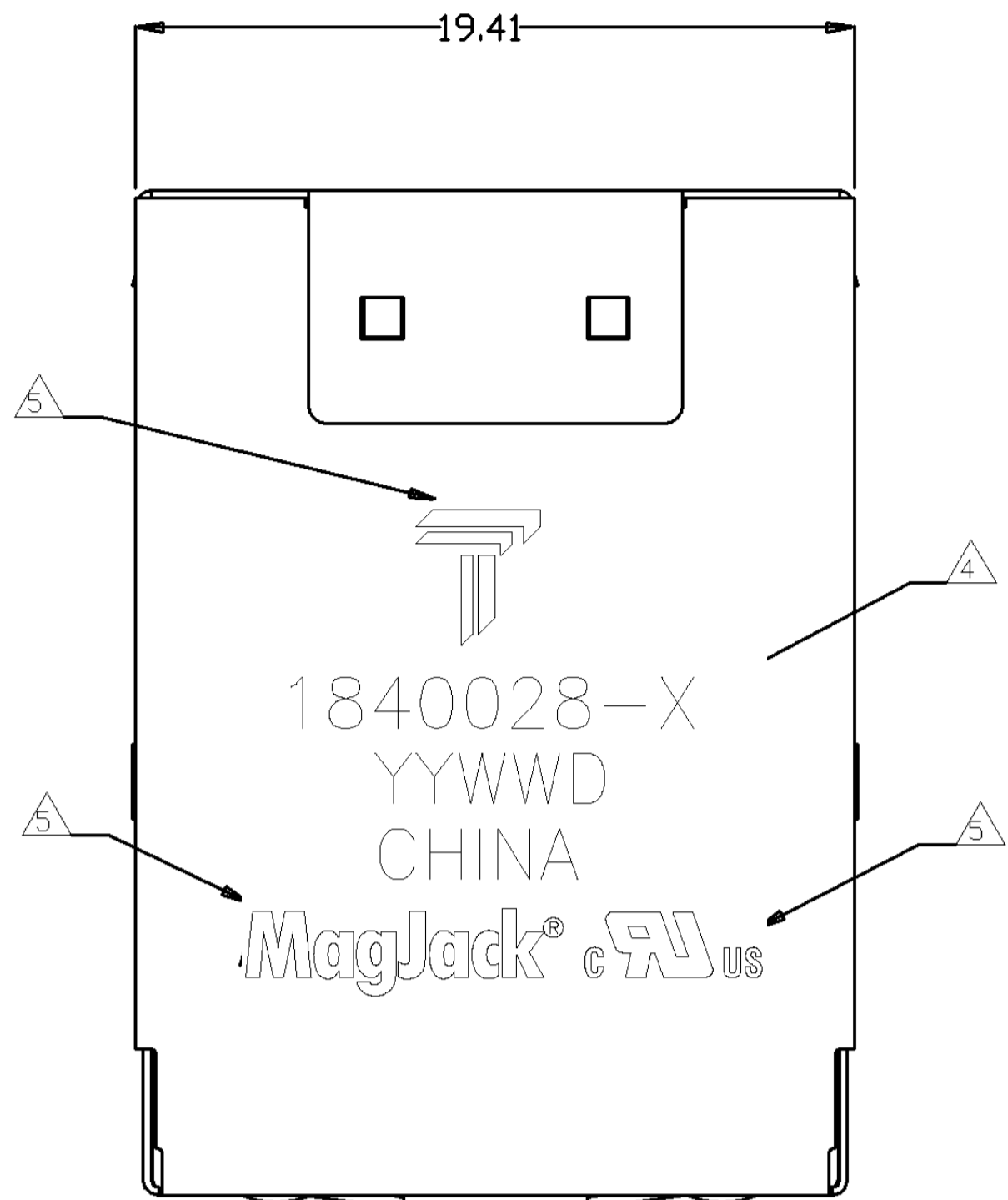
Address: A1208, Overseas Decoration Building, #122 Zhenhua RD., Futian, Shenzhen, China



THIS DRAWING AND THE SUBJECT MATTER SHOWN THEREON ARE CONFIDENTIAL AND THE PROPERTY OF BEL/STEWART/TRP CONNECTOR AND SHALL NOT BE REPRODUCED, COPIED, OR USED IN ANY MANNER WITHOUT THE WRITTEN CONSENT OF TRP CONNECTOR.

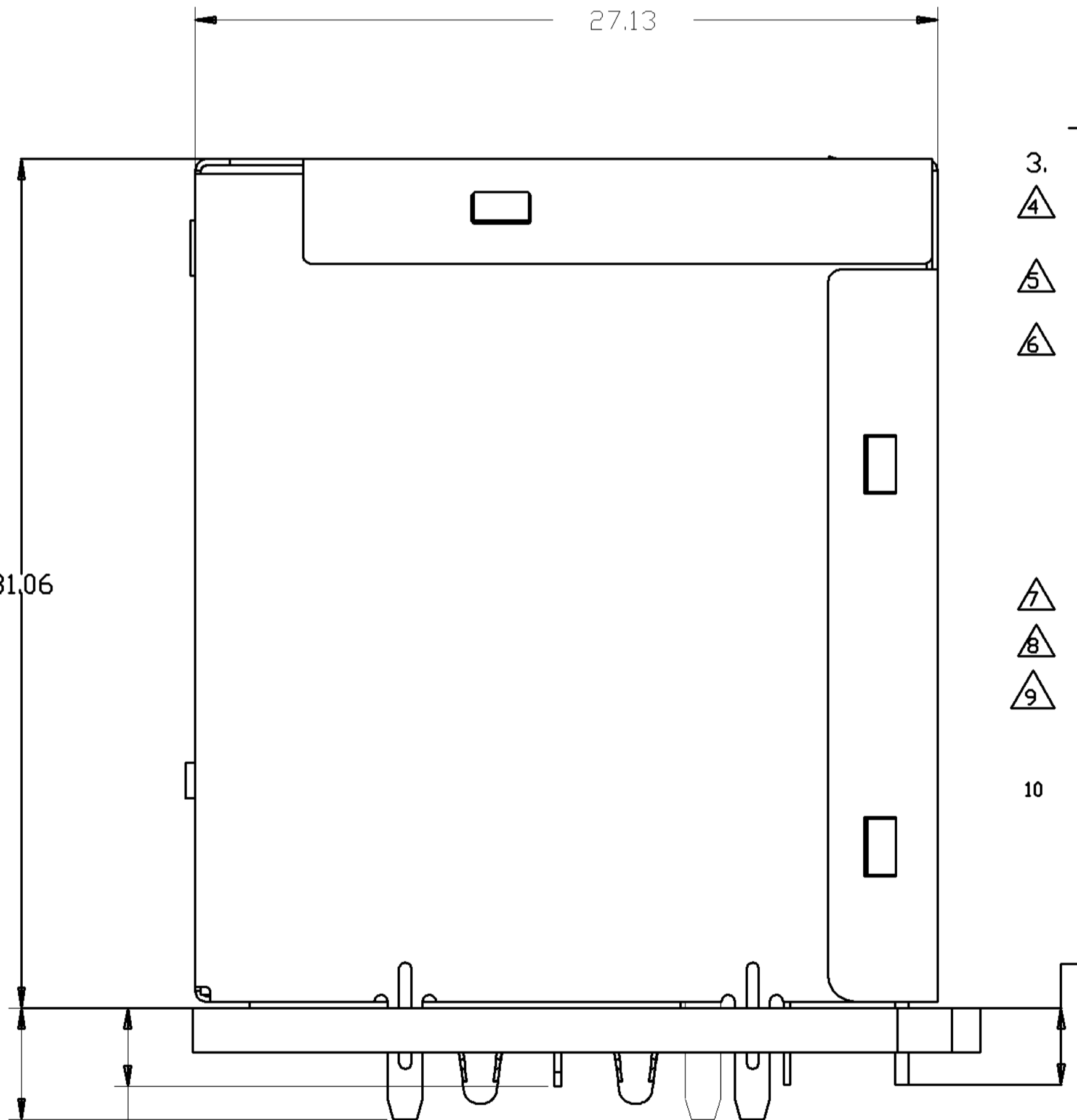
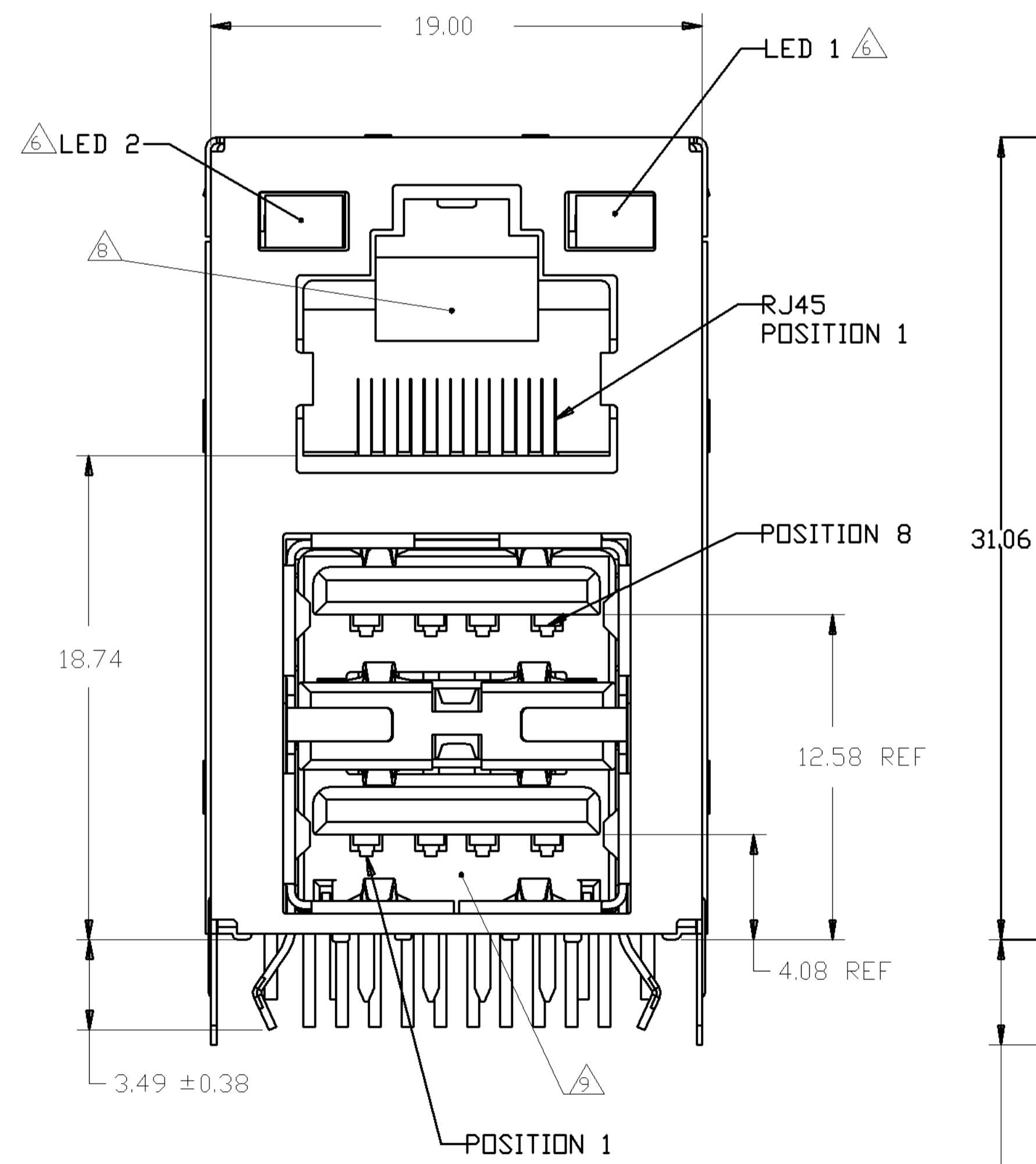
PRODUCT MAY BE PROTECTED BY ONE OR MORE OF THE FOLLOWING US PATENTS:
 5736910 5939955 6425781 6428361 6554638 6840817 7123117
 7428195 7717749 7808751 6217381 6148050 7924130

REVISIONS				
P	LTR	DESCRIPTION	DATE	OWN
D		EC-1411035 COMPANY LOGO CHANGE	20JAN2015	JC TY



3D VIEW
SCALE 4:1

- MATERIALS:**
 - USB MATERIALS:**
 - HOUSING: BLACK, THERMOPLASTIC, GLASS FILLED, UL 94V-0 RATED
 - SHELL: BRASS, PLATED WITH 2.54µm MIN TIN
 - CONTACT: PHOSPHOR BRONZE WITH SELECTIVE GOLD PLATING
 - RJ45 MATERIALS:**
 - HOUSING: BLACK, THERMOPLASTIC FLAMMABILITY RATING UL 94V-0
 - SHIELD: BRASS, PLATED WITH 0.76 µm MIN SEMI-BRIGHT NICKEL, 3.05 µm MIN TIN ON SOLDER TAILS ONLY
 - CONTACTS: PHOSPHOR BRONZE
 - 1.27 µm MIN OVERALL NICKEL UNDERPLATE WITH SELECTIVE
 - 1.27 µm MIN GOLD AT MATING INTERFACE AND
 - 3.05 µm MIN MATTE TIN AND/OR SAC SOLDER DIP ON SOLDER TAILS.
 - LED MATERIAL:**
 - DIFFUSED EPOXY LENS, 0.5 x 0.5 CARBON STEEL WIREFRAME LEADS PLATING
 - 2.03 µm MIN SILVER OVER
 - 1.02 µm MIN NICKEL OVER
 - 1.02 µm MIN COPPER UNDERPLATE
 - POST-PLATE WITH 2.54 µm MIN MATTE TIN AND/OR SAC SOLDER DIP OR PURE TIN SOLDER DIP.
- RJ45 MAGNETICS**
 - APPLICATION : 10/100 BASE-T
 - IMPEDANCE: 100 OHMS
 - TURNS RATIO(CHIP:CABLE): TX=1:1, RX=1:1
 - OPEN CIRCUIT INDUCTANCE(OCL):350uH MIN @100kHz, 0.1 VRMS, 8mADC BIAS FROM 0°C TO 70°C, TX AND RX
 - PERFORMANCE @ 25°C:
 - INSERTION LOSS (IL): 1.1 dB MAX FROM 0.5MHz TO 100MHz
 - RETURN LOSS (RL): 18dB MIN FROM 0.5MHz TO 30MHz
 - 12-20LOG(f/30)dB MIN FROM 30.1 MHz TO 60MHz
 - 12dB MIN FROM 60MHz TO 80MHz
 - CROSSTALK ATTENUATION:35 dB MIN FROM 0.5 MHz TO 40 MHz
 - 33-20LOG(f/50) dB MIN FROM 40.1 MHz TO 100 MHz
 - COMMON MODE REJECTION RATIO (CMRR): 30dB MIN FROM 0.5MHz TO 100MHz
 - ISOLATION VOLTAGE: 2250VDC (MAX) FOR 60 SECONDS WITH A RISE TIME OF 500V/SEC AND WITH ALL PORTS CONNECTED.
- OPERATING TEMPERATURE: FROM 0° C TO + 70° C**
- PART NUMBER, DATE CODE AND COUNTRY OF ORIGIN LOCATED IN APPROXIMATE LOCATION SHOWN.**
- AGENCY APPROVAL LOGO AND TRP CONNECTOR LOGO TO BE LOCATED IN APPROXIMATE AREA SHOWN.**
- LEDS TO BE DRIVEN WITH CONSTANT CURRENT AT APPROX 20mA, DOMINANT WAVELENGH: GREEN 568nm TYP. at IF=20mA, FORWARD VOLTAGE (VF): GREEN 2.2V TYP. at IF=20mA YELLOW 588nm TYP. at IF=20mA, FORWARD VOLTAGE (VF): YELLOW 2.1V TYP. at IF=20mA ONLY FOR 1840028-3: ULTRA LOW WAVELENGTH GREEN (ULWG) 525 nm TYP. at IF=20mA, FORWARD VOLTAGE (VF): GREEN 2.8V TYP. at IF=20mA YELLOW 588nm TYP. at IF=20mA, FORWARD VOLTAGE (VF): YELLOW 2.1V TYP. at IF=20mA**
- DATUM LOCATION AND DIMENSION TO BE ESTABLISHED BY CUSTOMER.**
- RJ45 CAVITY CONFORMS TO FCC RULES AND REGULATION PART 68 SUBPART F.**
- MATING INTERFACE COMPLIES WITH USB (UNIVERSAL SERIAL BUS) SPECIFICATION REV 2.0, UTILIZING TYCD P/N 292323-1 WITH USB 2.0 CERTIFICATE TEST ID NO. 60000242.**
- THESE PARTS ARE RECOMMENDED FOR WAVE SOLDERING PROCESS, PEAK SOLDERING TEMPERATURE IS 260 °C MAX, 10 SECONDS MAX.**



ULWG/YELLOW	ULWG/YELLOW	1840028-3
GREEN	GREEN/YELLOW	1840028-2
GREEN	GREEN	1840028-1
LED 2	LED 1	PART NUMBER

THIS DRAWING IS A CONTROLLED DOCUMENT.

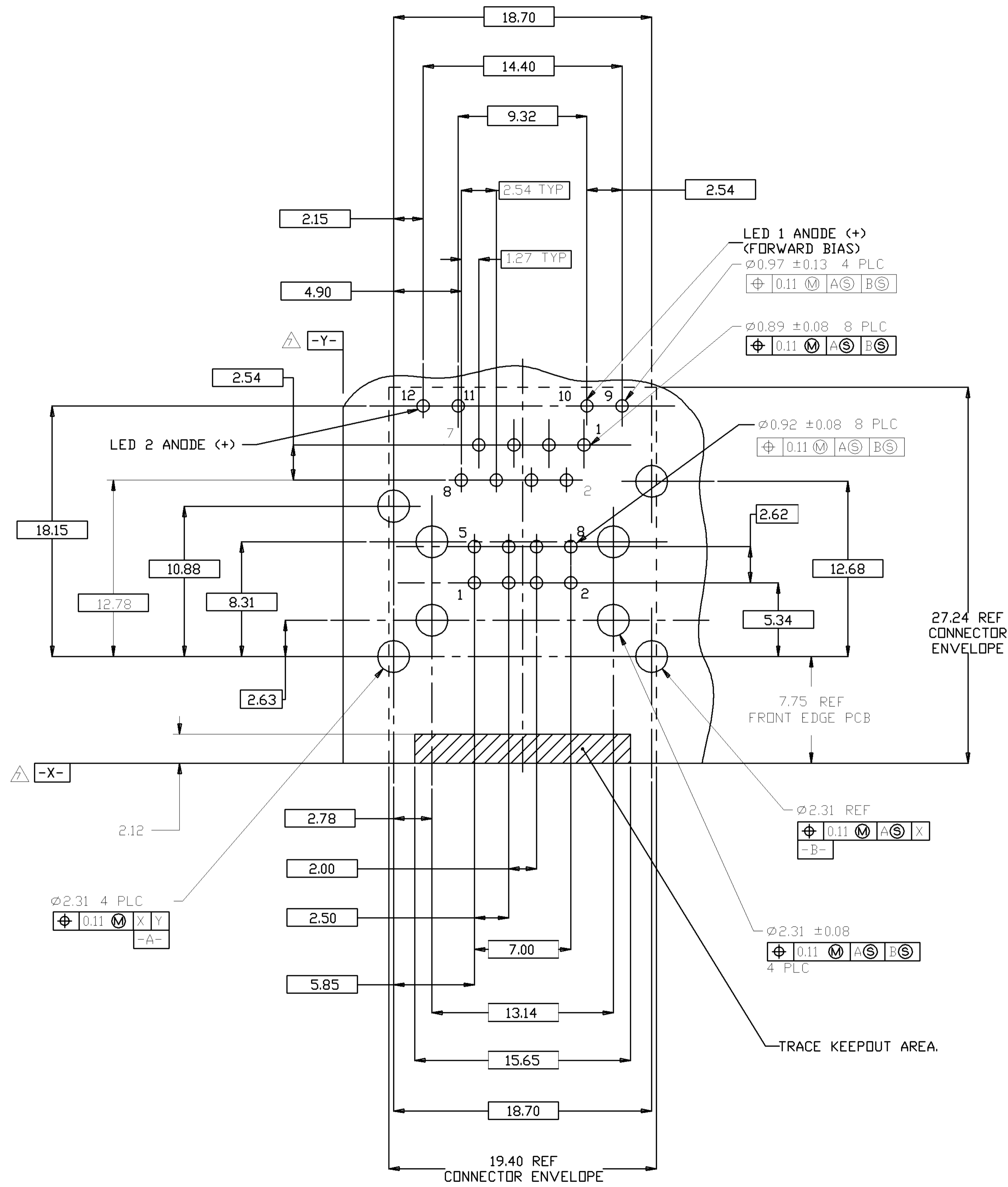
APPROVED BY: SKY ZHAO	DATE: 12JAN2008
OK: EVAN MA	DATE: 12JAN2008
APPROVED BY: TEDDY XIONG	DATE: 12JAN2008

DIMENSIONS: MM
 TOLERANCES UNLESS OTHERWISE SPECIFIED:
 0 PLC ± -
 1 PLC ± -
 2 PLC ± 0.25
 3 PLC ± -
 4 PLC ± -
 ANGLES ± -
 APPLICATION SPEC

MODEL NAME: MAGJACK
 DESC: MAGJACK OVER DUAL USB UR2266P22 10/100 CIRCUIT, W/ LEADS
 OVER USB NON-PoE
 CUSTOMER DRAWING

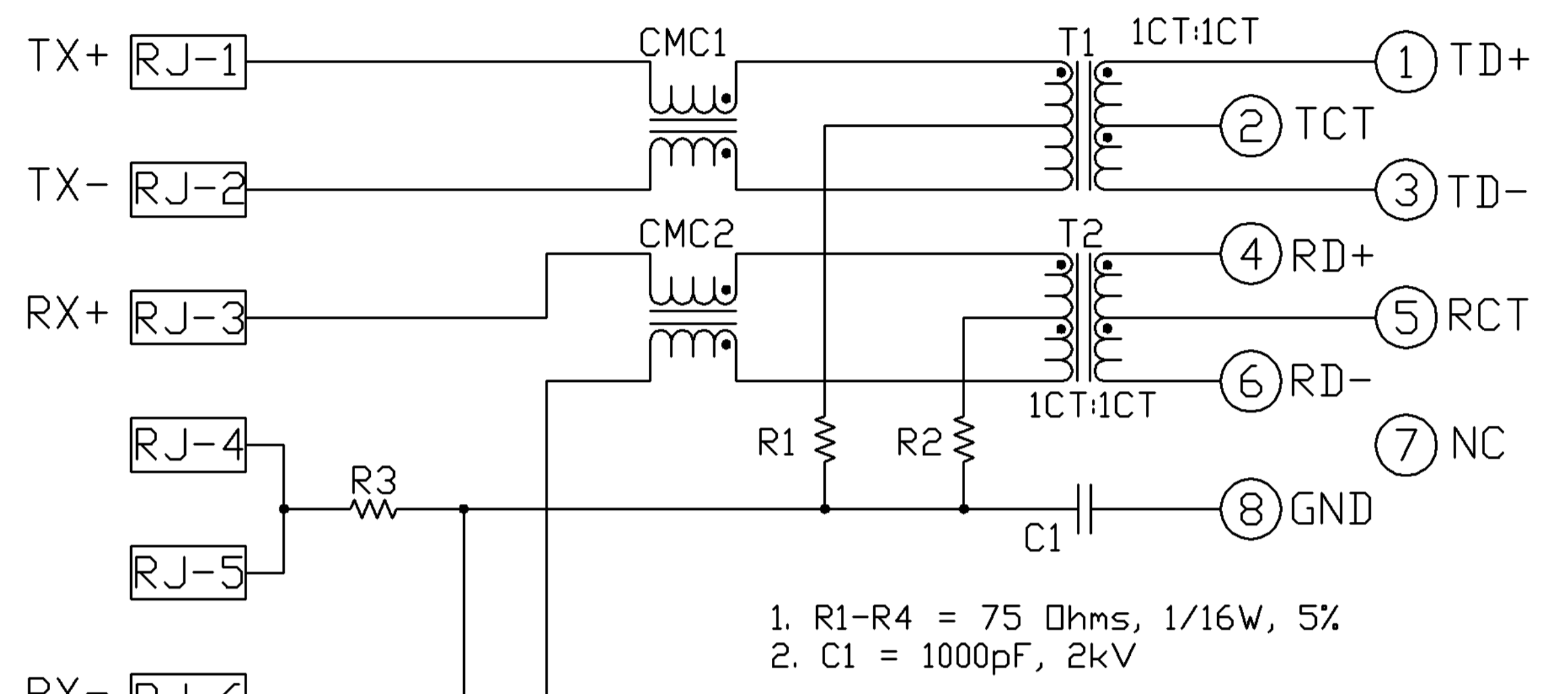
SCALE: 1:1
 SHEET: 1 OF 2
 REV: D

MAGNETIC CONNECTION BLOCK DIAGRAM

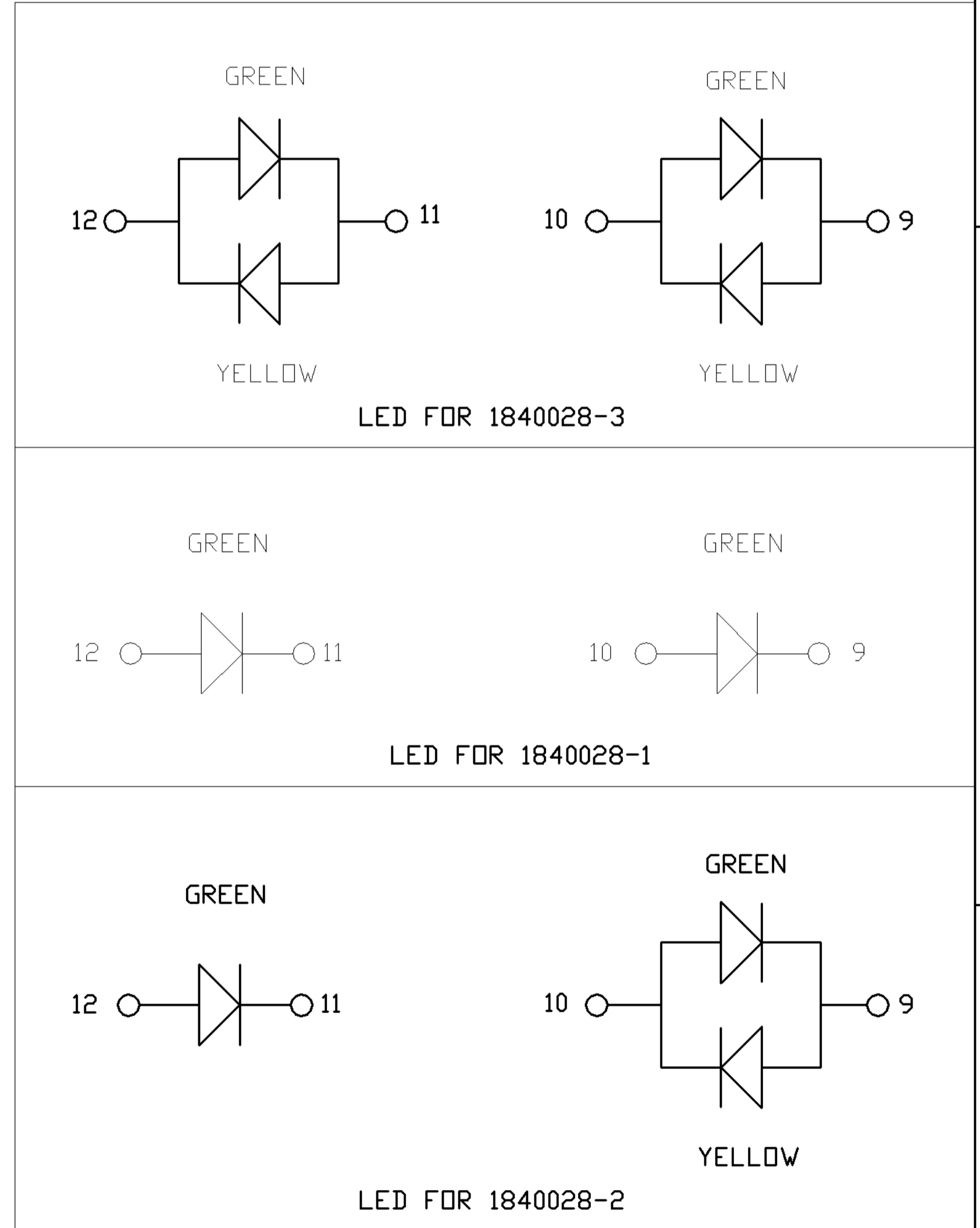


RECOMMENDED P.C.B. FOOTPRINT COMPONENT SIDE

△UR226P22 10/100 BASE-T CIRCUIT



- 1. R1-R4 = 75 Ohms, 1/16W, 5%
- 2. C1 = 1000pF, 2kV



THIS DRAWING IS A CONTROLLED DOCUMENT.		DRN: SKY_ZHAO 12JAN2008		DONGGUAN CHINA
DIMENSIONS: MM		CHK: EVAN_MA 12JAN2008		
TOLERANCES UNLESS OTHERWISE SPECIFIED:		APVD: TEDDY_XIONG 12JAN2008	MAGJACK OVER DUAL USB	
0 PLC	±		UR226P22 10/100 CIRCUIT, W/ LEDS	
1 PLC	±		RESTRICTED TO	
2 PLC	±		SIZE DATE CODE DRAWING NO	
3 PLC	±		A1 1840028	
4 PLC	±		SCALE 1:1 SHEET 2 OF 2 REV D	
APPLICATION SPEC			CUSTOMER DRAWING	