



Chipsmall Limited consists of a professional team with an average of over 10 year of expertise in the distribution of electronic components. Based in Hongkong, we have already established firm and mutual-benefit business relationships with customers from,Europe,America and south Asia,supplying obsolete and hard-to-find components to meet their specific needs.

With the principle of “Quality Parts,Customers Priority,Honest Operation,and Considerate Service”,our business mainly focus on the distribution of electronic components. Line cards we deal with include Microchip,ALPS,ROHM,Xilinx,Pulse,ON,Everlight and Freescale. Main products comprise IC,Modules,Potentiometer,IC Socket,Relay,Connector.Our parts cover such applications as commercial,industrial, and automotives areas.

We are looking forward to setting up business relationship with you and hope to provide you with the best service and solution. Let us make a better world for our industry!



Contact us

Tel: +86-755-8981 8866 Fax: +86-755-8427 6832

Email & Skype: info@chipsmall.com Web: www.chipsmall.com

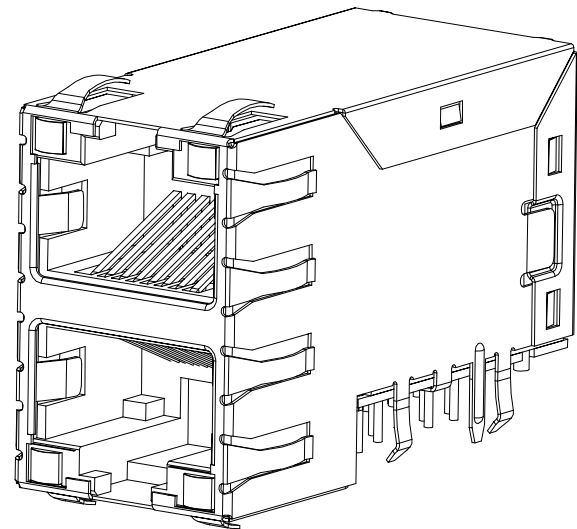
Address: A1208, Overseas Decoration Building, #122 Zhenhua RD., Futian, Shenzhen, China



THIS DRAWING AND THE SUBJECT MATTER SHOWN THEREON ARE CONFIDENTIAL AND THE PROPERTY OF BEL/STEWART/TRP CONNECTOR AND SHALL NOT BE REPRODUCED, COPIED, OR USED IN ANY MANNER WITHOUT THE WRITTEN CONSENT OF TRP CONNECTOR.

PRODUCT MAY BE PROTECTED BY ONE OR MORE OF THE FOLLOWING US PATENTS:
5736910 5939955 6425781 6428361 6554638 6840817 7123117
7429195 7717749 7808751 6217391 6149050 7924130

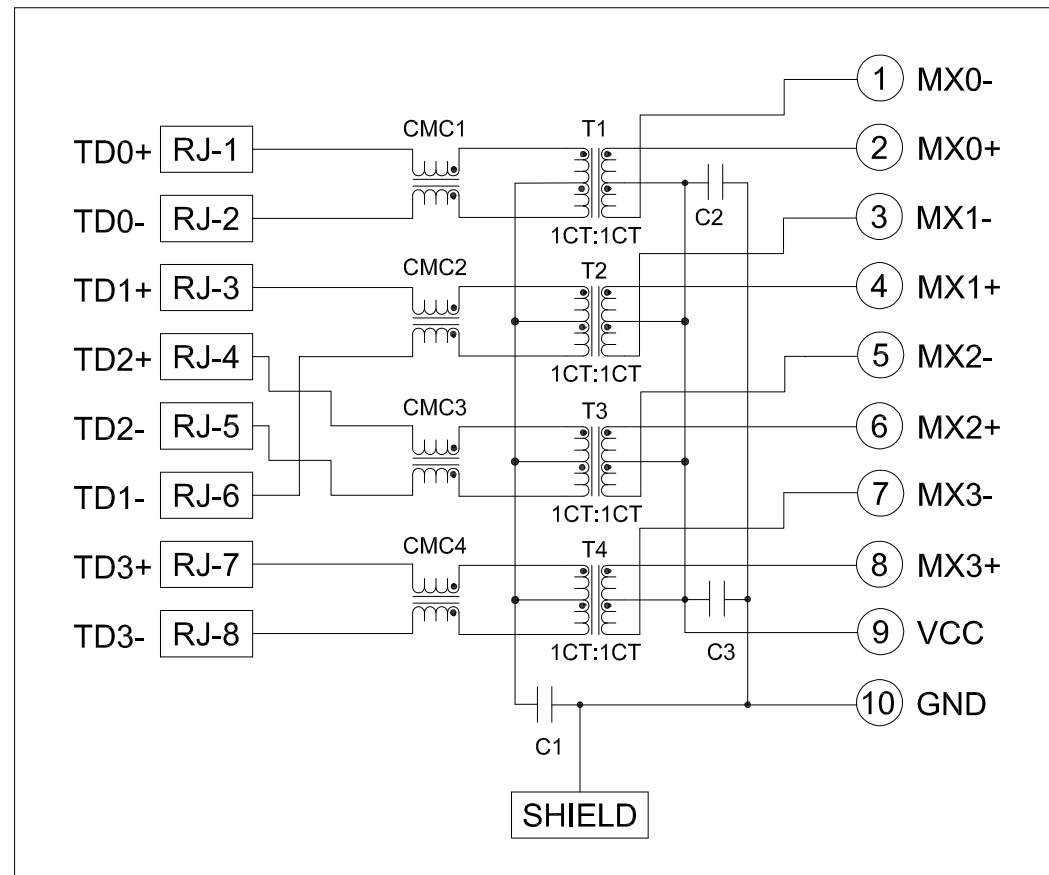
REVISIONS				
P	LTR	DESCRIPTION	DATE	APVD
H		EC-1411035, COMPANY LOGO CHANGE	11FEB2015	TR TY



SCALE 5:1

S8G17 GIGABIT CIRCUIT

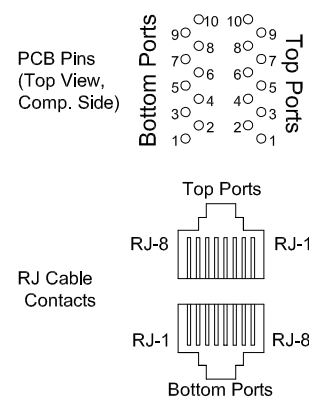
Top and Bottom Ports



- 1. C1 = 1000pF, 2KV, 10%, X7R
- 2. C2, C3 = 470pF, 10%, 50V

Pin Designations

(Repeat for each vertical pair of ports.)



- 1 MATERIALS:
- HOUSING: THERMOPLASTIC, BLACK, FLAMMABILITY RATING UL 94V-0.
 - SHIELD: BRASS, PREPLATED WITH 0.76um MIN SEMI-BRIGHT NICKEL, POST DIPPED WITH 2.54um MIN SAC SOLDER ON SOLDER TAILS.
 - CONTACTS: PHOSPHOR BRONZE, PLATED WITH 1.27um MIN OVERALL NICKEL UNDERPLATE, SELECTIVE 1.27um MIN GOLD AT MATING INTERFACE AND 2.54um MIN MATTE TIN ON SOLDER TAILS.
 - LED: DIFFUSED EPOXY LENS, CARBON STEEL LEAD FRAME LEADS, PREPLATED WITH 2.03um MIN SILVER OVER 1.02um MIN NICKEL OVER 1.02um MIN COPPER UNDERPLATE, POST PLATED WITH 2.54um MIN MATTE TIN AND/OR 2.54um MIN SAC SOLDER DIP OR PURE TIN SOLDER DIP.

- 2 MAGNETICS:
- APPLICATION: 10/100/1000 BASE-T
 - IMPEDANCE: 100ohm
 - TURNS RATIO (CHIP:CABLE): 1:1 ALL FOUR PAIRS
 - OPEN CIRCUIT INDUCTANCE (OCL): 350uH MIN @100kHz, 0.1VRMS, 8mA DC BIAS FROM 0° C TO 70° C, ALL FOUR PAIRS
 - ALL FOUR PAIRS BI-DIRECTIONAL
 - PERFORMANCE @25° C:
 - INSERTION LOSS (IL): 1.1dB MAX FROM 0.5MHz TO 100MHz
 - RETURN LOSS (RL): 18dB MIN FROM 0.5MHz TO 40MHz
 - 12-20LOG(f/80)dB MIN FROM 40.1MHz TO 100MHz
 - CROSSTALK ATTENUATION: 35dB MIN FROM 0.5MHz TO 40MHz
 - 33-20LOG(f/50)dB MIN FROM 40.1MHz TO 100MHz
 - COMMON MODE REJECTION RATIO (CMRR): 30dB MIN FROM 0.5MHz TO 100MHz
 - ISOLATION VOLTAGE: 2250VDC (MAX) FOR 60 SECONDS WITH A RISE TIME OF 500V/SEC AND WITH ALL PORTS CONNECTED.

3 PART NUMBER, DATE CODE AND COUNTRY OF ORIGIN ARE LOCATED IN THE APPROXIMATE AREA SHOWN. DATE CODE "YY" IS THE YEAR, "WW" IS THE WEEK, "D" IS THE DAY OF WEEK, WITH SUNDAY="1".

4 TRP LOGO AND AGENCY APPROVAL LOGO ARE LOCATED IN THE APPROXIMATE AREA SHOWN.

5 RJ45 CAVITIES CONFORM TO FCC RULES AND REGULATIONS PART 68 SUBPART F.

- 6 LED IS DRIVEN WITH CONSTANT CURRENT AT APPROX 20mA
- LED COLOR: DOMINANT WAVELENGTH (λD):
- GREEN 568 nm TYP at IF=20mA
 - YELLOW 588 nm TYP at IF=20mA
- FORWARD VOLTAGE (VF):
- GREEN 2.2V TYP at IF=20mA
 - YELLOW 2.1V TYP at IF=20mA
- ONLY FOR 9-1840130-5
- ULTRA LOW WAVELENGTH GREEN (ULWG) 525 nm TYP at IF=20mA
 - ULTRA LOW WAVELENGTH GREEN (ULWG) 2.8V TYP at IF=20mA

7 INDICATED MAGNETIC CONNECTIONS ARE SYMMETRICAL AND SUPPORT AUTO-MDI/MDIX.

8 OPERATING TEMPERATURE: FROM 0° C TO 70° C.

9 THE PARTS ARE RECOMMENDED FOR WAVE SOLDERING PROCESS, PEAK TEMPERATURE IS 260° C MAX, 10 SECONDS MAX. IT IS RECOMMENDED THAT THE CONNECTOR SHIELD AND BODY BE MASKED TO PROTECT IT FROM DIRECT EXPOSURE TO THE SOLDER WAVE TO AVOID DAMAGE TO THE CONNECTOR AND LEDS.

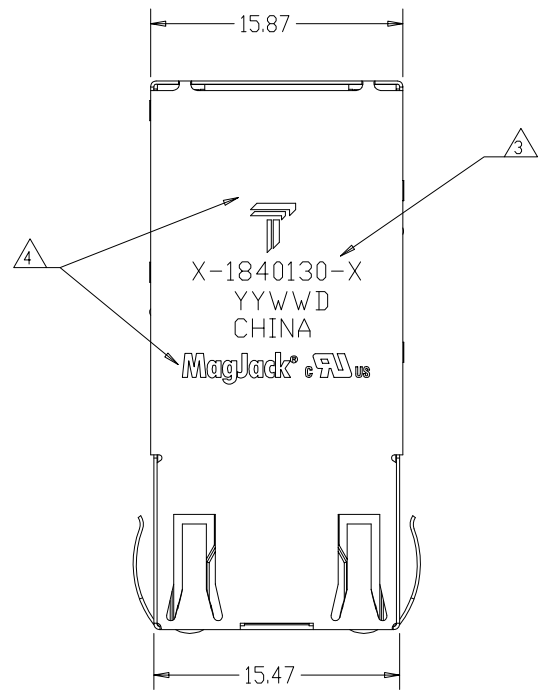
2.80	GREEN	GREEN/YELLOW	GREEN	GREEN/YELLOW	1840130-8
3.30	ULWG	ULWG/YELLOW	ULWG	ULWG/YELLOW	9-1840130-5
3.30	GREEN	YELLOW/GREEN	GREEN	YELLOW/GREEN	4-1840130-5
3.30	GREEN	GREEN/YELLOW	GREEN	GREEN/YELLOW	1840130-3
3.30	GREEN	YELLOW	GREEN	YELLOW	1840130-2
3.30	GREEN	GREEN	GREEN	GREEN	1840130-1
DIM A	TOP LEFT LED	TOP RIGHT LED	BOTTOM LEFT LED	BOTTOM RIGHT LED	PART NUMBER

THIS DRAWING IS A CONTROLLED DOCUMENT.

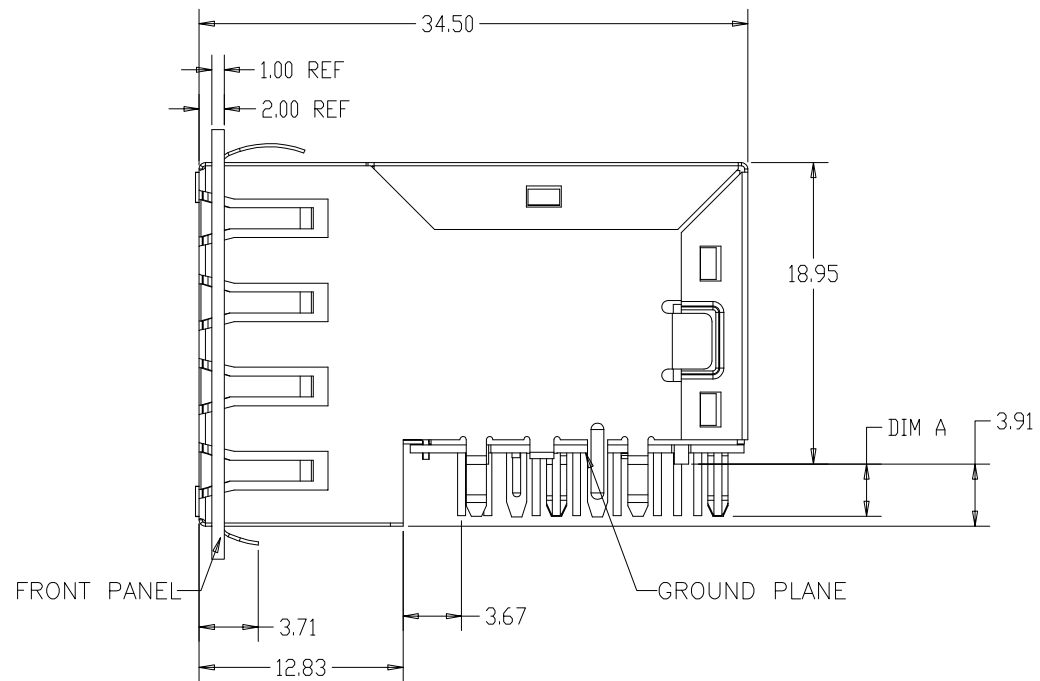
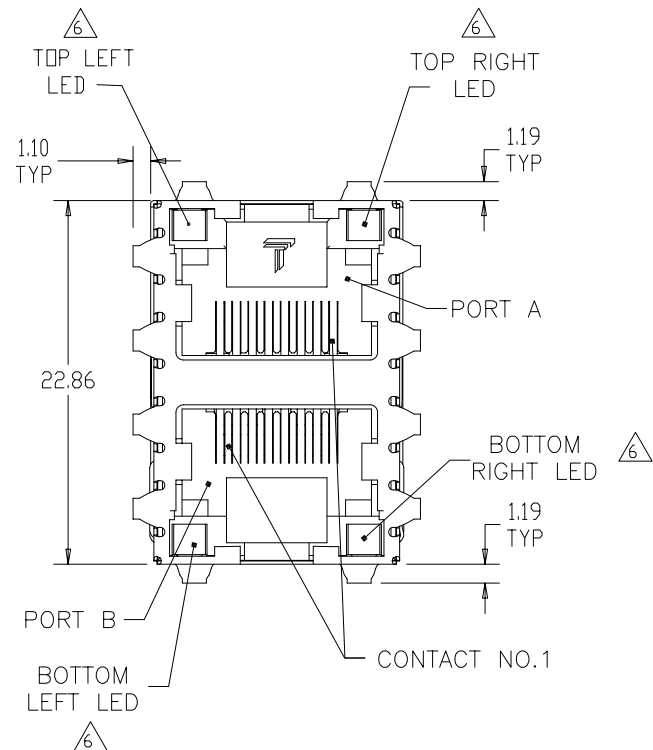
DIMENSIONS: mm	TOLERANCES UNLESS OTHERWISE SPECIFIED	DWN JEE LUD 02-18-06	 trp CONNECTOR a bel group DONGGUAN CHINA
	0 PLC -	CHK KEITH ZHU 02-18-06	
	1 PLC ±0.25	APVD TEDDY XIONG 02-18-06	
PRODUCT SPEC	APPLICATION SPEC	MODEL NAME	DESC
-	-	MAGJACK	2X1 S8G17 GIGABIT OFFSET W/ LED
		SIZE A2	CAGE CODE C=1840130
		CUSTOMER DRAWING	SCALE NTS SHEET 1 OF 4 REV H

THIS DRAWING AND THE SUBJECT MATTER SHOWN THEREON ARE CONFIDENTIAL AND THE PROPERTY OF BEL/STEWART/TRP CONNECTOR AND SHALL NOT BE REPRODUCED, COPIED, OR USED IN ANY MANNER WITHOUT THE WRITTEN CONSENT OF TRP CONNECTOR.

PRODUCT MAY BE PROTECTED BY ONE OR MORE OF THE FOLLOWING US PATENTS:
 5736910 5939955 6425781 6428361 6554638 6840817 7123117
 7429195 7717749 7808751 6217391 6149050 7924130



SCALE 5.000



THIS DRAWING IS A CONTROLLED DOCUMENT.

DWN JEE LUD 02-18-06
 CHK KEITH ZHU 02-18-06
 APVD TEDDY XIONG 02-18-06
 MODEL NAME



DONGGUAN CHINA

DIMENSIONS	TOLERANCES UNLESS OTHERWISE SPECIFIED
mm	
	0 PLC -
	1 PLC ±0.25
	2 PLC ±0.25
	3 PLC ±0.25
	4 PLC ±0.25
	ANGLES -

PRODUCT SPEC - APPLICATION SPEC -

MAGJACK
 STACK NON-PoE

DESC 2X1 S8G17 GIGABIT OFFSET W/ LED

SIZE A2	CAGE CODE	DRAWING NO C=1840130	RESTRICTED TO -
---------	-----------	----------------------	-----------------

CUSTOMER DRAWING SCALE NTS SHEET 2 OF 4 REV H

4

3

2

1

THIS DRAWING AND THE SUBJECT MATTER SHOWN THEREON ARE CONFIDENTIAL AND THE PROPERTY OF BEL/STEWART/TRP CONNECTOR AND SHALL NOT BE REPRODUCED, COPIED, OR USED IN ANY MANNER WITHOUT THE WRITTEN CONSENT OF TRP CONNECTOR.

PRODUCT MAY BE PROTECTED BY ONE OR MORE OF THE FOLLOWING US PATENTS:
5736910 5939955 6425781 6428361 6554638 6840817 7123117
7429195 7717749 7808751 6217391 6149050 7924130

16.24^{+0.25}/_{-0.13}

23.87^{+0.25}/_{-0.13}

4.42

RECOMMENDED PANEL CUT-OUT

19.40

16.13

12.70

10.16

6.99

15.50

13.96

5.08

7.62

15.24

18.92 MIN

Ø1.57^{+/-0.08} 2PLC

Ø2.29^{+/-0.08} 4PLC

XXX DETERMINED BY CUSTOMER

SUGGESTED PCB EDGE

RECOMMENDED PC BOARD LAYOUT
VIEWED FROM COMPONENT SIDE

11.43

1.27 TYP.

6.60

4.06

1.65

3.18

8.13


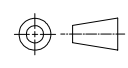
Ø1.02^{+/-0.08} TYP.

BOTTOM PORT

TOP PORT

DETAIL G
SCALE: 2:1

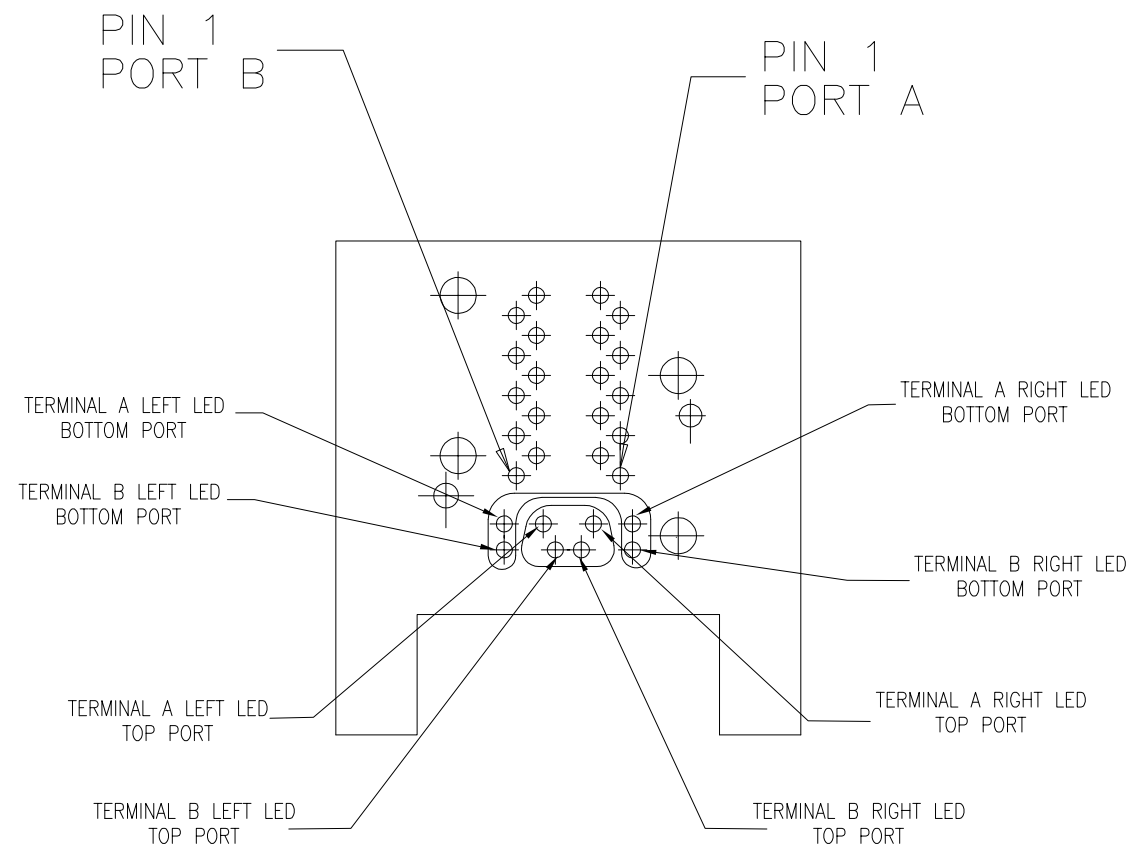
ALL THE SIGNAL PINS MUST BE
SOLDERED WITH BOTTOM PCBPIN #0 AND SOME LED PINS ARE STUB PINS WITH LENGTH SIMILAR TO
PCB STANDOFF HEIGHT. PRECAUTIONS SHOULD BE TAKEN IN PCB
DESIGN TO GUARD AGAINST SHORTING TRACES TO STUB PINS.

THIS DRAWING IS A CONTROLLED DOCUMENT.		DWN JEE LUD	02-18-06	 trp CONNECTOR a bel group	DONGGUAN CHINA
DIMENSIONS: mm		CHK KEITH ZHU	02-18-06		
TOLERANCES UNLESS OTHERWISE SPECIFIED		APVD TEDDY XIONG	02-18-06		
		MODEL NAME MAGJACK		DESC 2X1 S8G17 GIGABIT OFFSET W/ LED	
PRODUCT SPEC -		APPLICATION SPEC -		SIZE A2	CAGE CODE C=1840130
CUSTOMER DRAWING				SCALE NTS	SHEET 3 OF 4
				REV H	

xxxxx

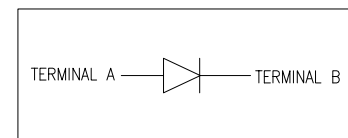
THIS DRAWING AND THE SUBJECT MATTER SHOWN THEREON ARE CONFIDENTIAL AND THE PROPERTY OF BEL/STEWART/TRP CONNECTOR AND SHALL NOT BE REPRODUCED, COPIED, OR USED IN ANY MANNER WITHOUT THE WRITTEN CONSENT OF TRP CONNECTOR.

PRODUCT MAY BE PROTECTED BY ONE OR MORE OF THE FOLLOWING US PATENTS:
5736910 5939955 6425781 6428361 6554638 6840817 7123117
7429195 7717749 7808751 6217391 6149050 7924130

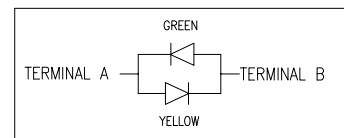


LED HOLE DESIGNATIONS
VIEWED FROM COMPONENT SIDE

SINGLE COLOR LED

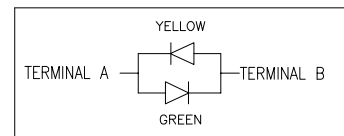


BI COLOR LED



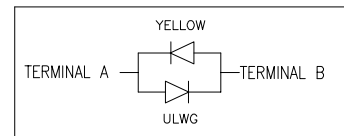
THE SCHEMATICS FOR
1840130-3, 1840130-8

BI COLOR LED




THE SCHEMATICS FOR 4-1840130-5

BI COLOR LED



THE SCHEMATICS FOR 9-1840130-5

THIS DRAWING IS A CONTROLLED DOCUMENT.		DWN JEE LUD 02-18-06	 trp CONNECTOR <small>a bel group</small>	DONGGUAN CHINA										
DIMENSIONS: mm		CHK KEITH ZHU 02-18-06												
TOLERANCES UNLESS OTHERWISE SPECIFIED		APVD TEDDY XIONG 02-18-06												
<table border="1"> <tr><td>0 PLC</td><td>-</td></tr> <tr><td>1 PLC</td><td>±0.25</td></tr> <tr><td>2 PLC</td><td>±0.25</td></tr> <tr><td>3 PLC</td><td>±0.25</td></tr> <tr><td>4 PLC</td><td>±0.25</td></tr> <tr><td>ANGLES</td><td>-</td></tr> </table>		0 PLC			-	1 PLC	±0.25	2 PLC	±0.25	3 PLC	±0.25	4 PLC	±0.25	ANGLES
0 PLC	-													
1 PLC	±0.25													
2 PLC	±0.25													
3 PLC	±0.25													
4 PLC	±0.25													
ANGLES	-													
PRODUCT SPEC	APPLICATION SPEC	DESC 2X1 S8G17 GIGABIT OFFSET W/ LED	SIZE A2	CAGE CODE C=1840130	RESTRICTED TO -									
-		CUSTOMER DRAWING		SCALE NTS	SHEET 4	OF 4	REV H							