



Chipsmall Limited consists of a professional team with an average of over 10 year of expertise in the distribution of electronic components. Based in Hongkong, we have already established firm and mutual-benefit business relationships with customers from,Europe,America and south Asia,supplying obsolete and hard-to-find components to meet their specific needs.

With the principle of “Quality Parts,Customers Priority,Honest Operation,and Considerate Service”,our business mainly focus on the distribution of electronic components. Line cards we deal with include Microchip,ALPS,ROHM,Xilinx,Pulse,ON,Everlight and Freescale. Main products comprise IC,Modules,Potentiometer,IC Socket,Relay,Connector.Our parts cover such applications as commercial,industrial, and automotives areas.

We are looking forward to setting up business relationship with you and hope to provide you with the best service and solution. Let us make a better world for our industry!



Contact us

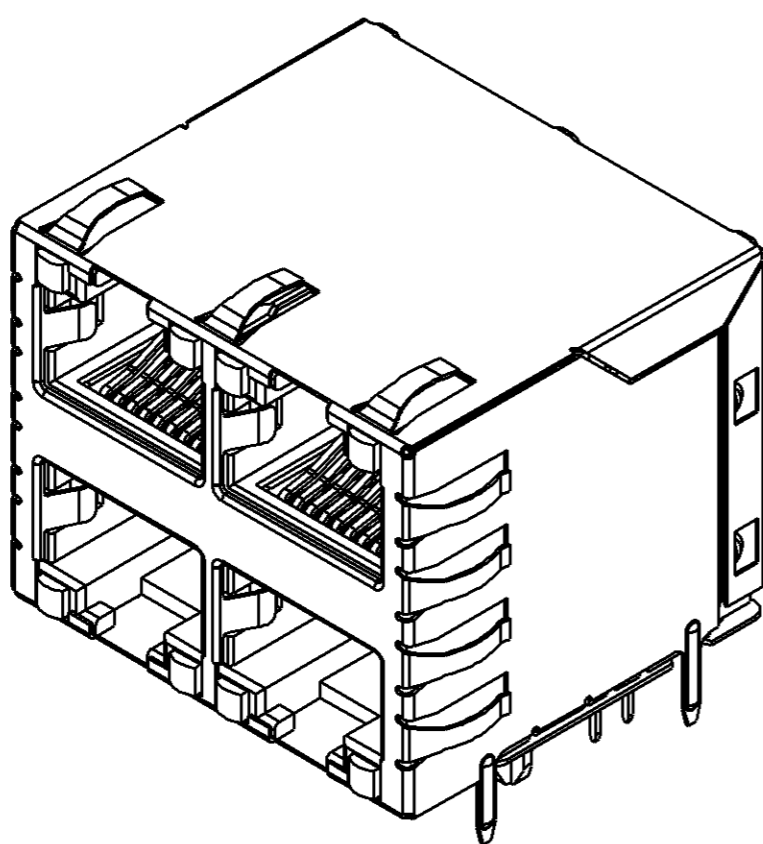
Tel: +86-755-8981 8866 Fax: +86-755-8427 6832

Email & Skype: info@chipsmall.com Web: www.chipsmall.com

Address: A1208, Overseas Decoration Building, #122 Zhenhua RD., Futian, Shenzhen, China



REVISONS		DATE	BY	APP'D
B	ECO-08-012525	12MAY2008	OL	TX
C	ECO-08-022232	08SEP2008	PL	TX
D	ECO-11-019412	20JUN2011	PP	LJ

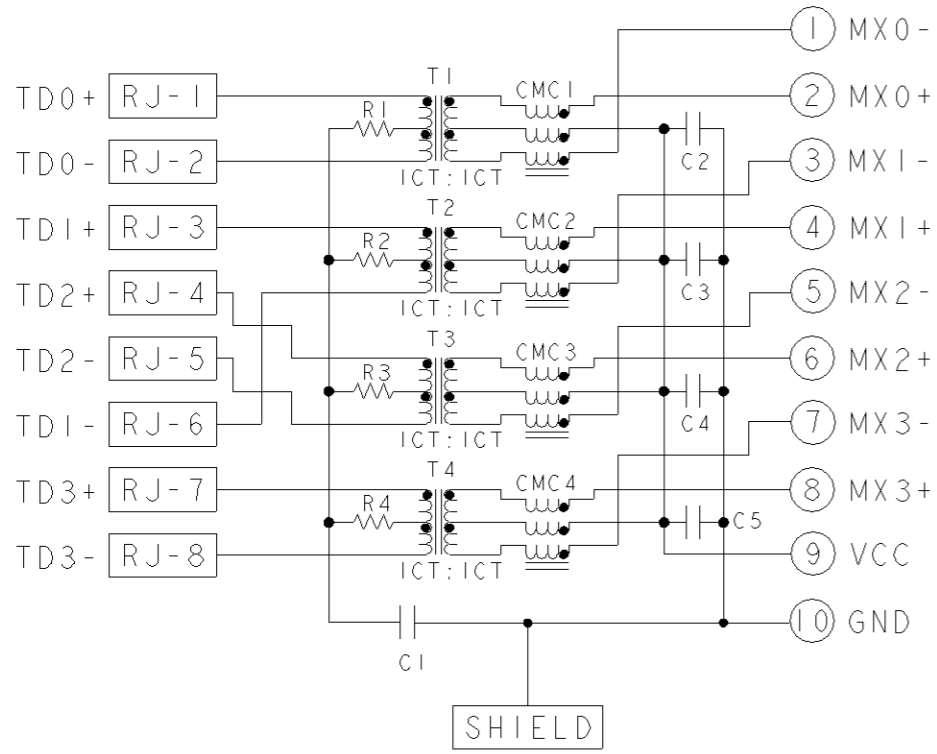


1. MATERIALS:
 PLASTIC HOUSING: BLACK, THERMOPLASTIC
 FLAMMABILITY RATING UL 94V-0
 SHIELD: BRASS, PREPLATED WITH 0.76um MIN SEMI-BRIGHT NICKEL,
 POST DIPPED WITH 2.54um MIN SAC SOLDER ON SOLDER TAILS,
 CONTACTS: PHOSPHOR BRONZE, 1.27um MIN OVERALL NICKEL
 UNDERPLATE WITH SELECT 1.27um MIN GOLD AT MATING INTERFACE
 AND 2.54um MIN MATTE TIN ON SOLDER TAILS.
 LED: DIFFUSED EPOXY LENS, CARBON STEEL LEAD FRAME TAILS OF LED
 ARE PREPLATED WITH 2.03um MIN SILVER OVER 1.02um MIN NICKEL
 UNDERPLATE OVER 1.02um MIN COPPER UNDERPLATE, POST-PLATED WITH
 2.54um MIN MATTE TIN AND/OR SAC SOLDER DIP OR PURE TIN SOLDER DIP

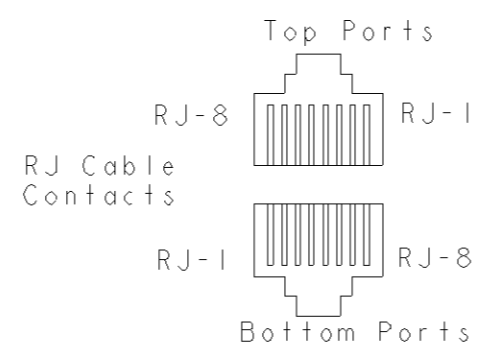
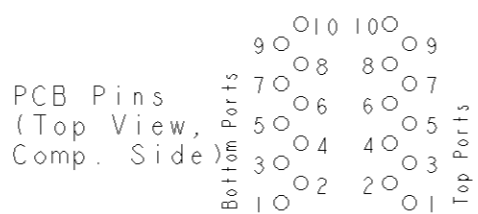
2. MAGNETICS
 APPLICATION: 10/100/1000 BASE-T
 IMPEDANCE: 100 OHMS
 TURNS RATIO (CHIP:CABLE): 1:1 ALL FOUR PAIRS
 OPEN CIRCUIT INDUCTANCE (OCL): 350uH MIN @100kHz, 0.1VRMS,
 8mADC BIAS FROM 0°C TO 70°C, ALL FOUR PAIRS
 ALL FOUR PAIRS BI-DIRECTIONAL
 PERFORMANCE @ 25°C:
 INSERTION LOSS (IL): 1.1dB MAX FROM 0.5MHz TO 100MHz
 RETURN LOSS (RL): 18dB MIN FROM 0.5MHz TO 40MHz
 12-20LOG(f/80)dB MIN FROM 40.1MHz TO 100MHz
 CROSSTALK ATTENUATION: 35dB MIN FROM 0.5MHz TO 40MHz
 33-20LOG(f/50)dB MIN FROM 40.1MHz TO 100MHz
 COMMON MODE REJECTION RATIO (CMRR): 30dB MIN FROM 0.5MHz TO 100MHz
 ISOLATION VOLTAGE: COMPLIES WITH IEEE802.3 2002, PARA 40.6.1.1, ITEM b.
 3. TE CONNECTIVITY LOGO, PART NUMBER, DATE CODE, COUNTRY OF ORIGIN, AGENCY APPROVAL
 MARKING LOGO LOCATED IN THE APPROXIMATE AREA SHOWN. DATE CODE YY IS YEAR, WW IS
 WORK WEEK, D IS DAY OF WEEK, WITH SUNDAY=1
 4. THESE PARTS ARE RECOMMENDED FOR WAVE SOLDERING PROCESS. PEAK WAVE SOLDERING
 TEMPERATURE IS 265°C MAX, 10 SECONDS MAX.

S8G16 GIGABIT CIRCUIT ⚠ ⚠
 TOP AND BOTTOM PORTS

Pin Designations



(Repeat for each vertical pair of ports.)



- 5. INDICATED MAGNETIC CONNECTIONS ARE SYMMETRIC AND SUPPORT AUTO-MDIX.
- 6. RJ45 CAVITY CONFORMS TO FCC RULES AND REGULATION PART 68 SUBPART F
- 7. LEDS ARE DRIVEN WITH CONSTANT CURRENT AT APPROX 20mA
 LED COLOR: DOMINANT WAVELENGTH (λD): GREEN 568 nm TYP. @ IF=20mA
 FORWARD VOLTAGE (VF): GREEN 2.2V TYP. @ IF=20mA
 DOMINANT WAVELENGTH (λD): YELLOW 588 nm TYP. @ IF=20mA
 FORWARD VOLTAGE (VF): YELLOW 2.1V TYP. @ IF=20mA
- 8. DATUM AND BASIC DIMENSION ESTABLISHED BY CUSTOMER.
- 9. BASIC DIMENSION ESTABLISHED BY CUSTOMER, BUT NOT TO BE GREATER THAN 5.08.
- 10. OPERATING TEMPERATURE: 0°C TO +70°C.

C1 = 1000 pF, 2kV X7R DECOUPLING CAPACITOR
 C2 - C3 = 50V, 470pF ±10%, X7R CAPACITORS
 R1 - R4 = 75 Ohms, 1/16 W, ±5% Resistors

GRN/YEL	GRN/YEL	GRN/YEL	GRN/YEL	1840156-4
GREEN	YELLOW	GREEN	YELLOW	1840156-3
YELLOW	GREEN	GREEN	YELLOW	1840156-2
GREEN	GREEN	GREEN	GREEN	1840156-1
BOTTOM LED NO. 2	BOTTOM LED NO. 1	TOP LED NO. 2	TOP LED NO. 1	PART NUMBER

THIS DRAWING IS A CONTROLLED DOCUMENT.

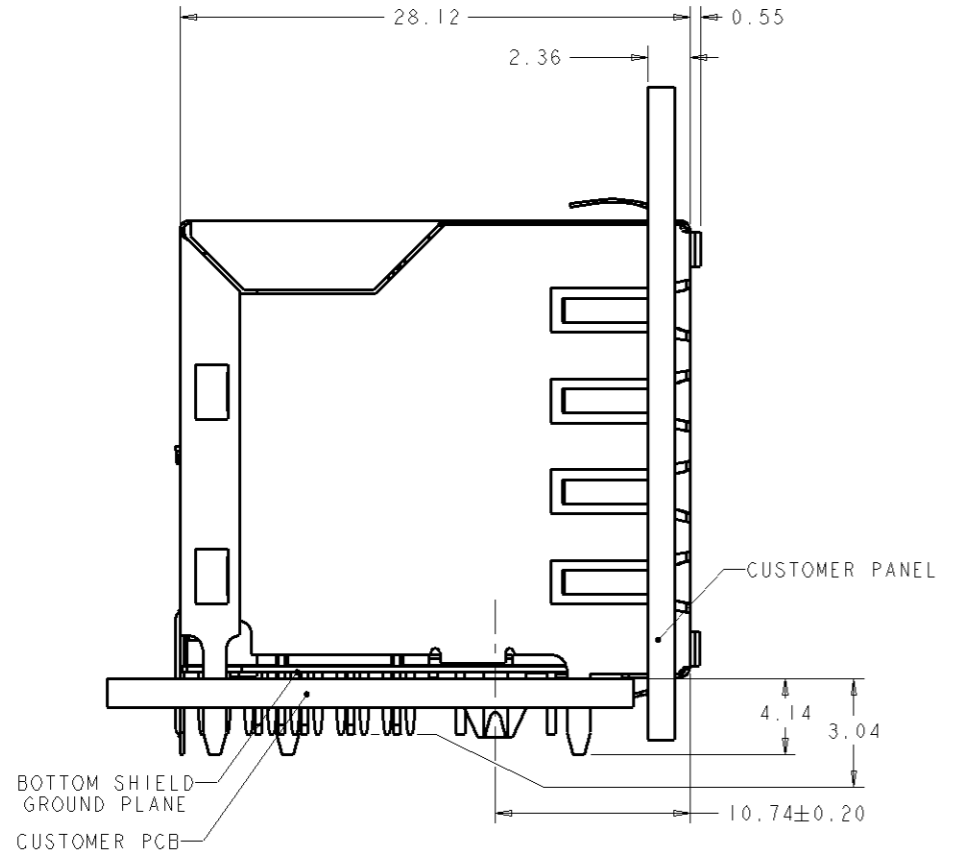
DATE: 12 JUL 2006
 DRAWN BY: KEKE YOU
 CHECKED BY: ERIC GE
 APPROVED BY: TUDY XIONG

PRODUCT SPEC: 2X2 MAG45(TM), GIGABIT S8G16 CIRCUIT W/ LEDS, WAVE PANEL, GROUND SHIELD CONTACT PIN 2
 APPLICATION SPEC: 108-2100

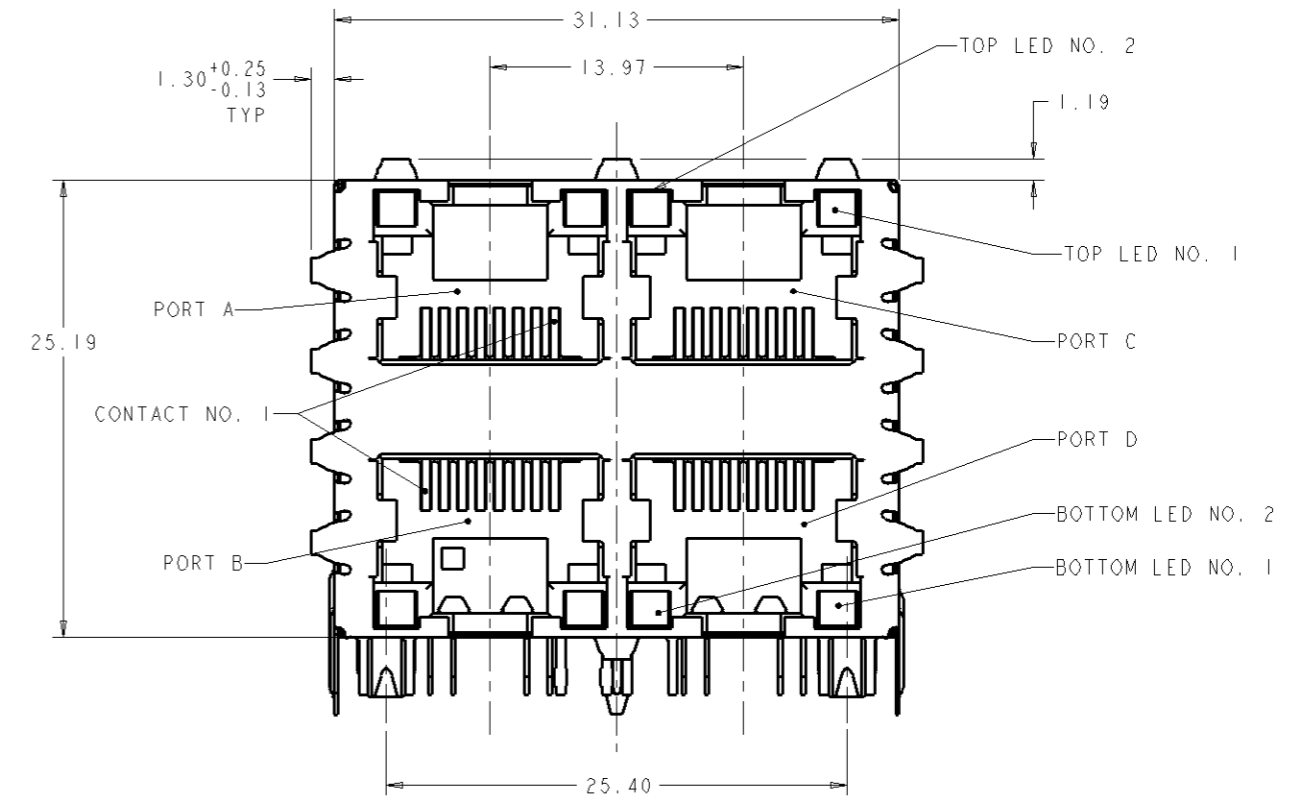
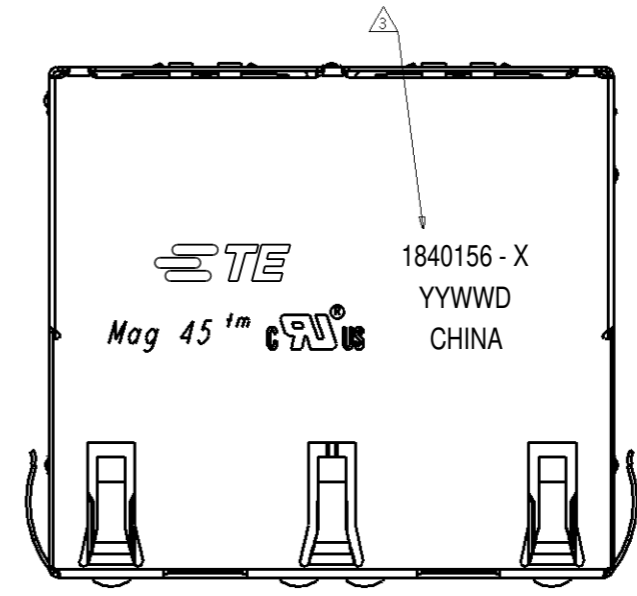
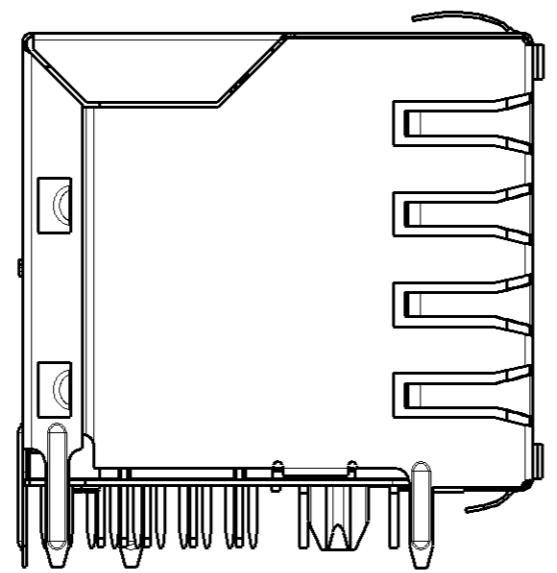
MATERIAL: SEE NOTES
 FINISH: SEE NOTES
 WEIGHT: -
 CUSTOMER DRAWING

SCALE: 4:1
 SHEET: 1 OF 4
 REV: D

REVISITONS		DATE	BY	APP'D
1	SEE SHEET 1			

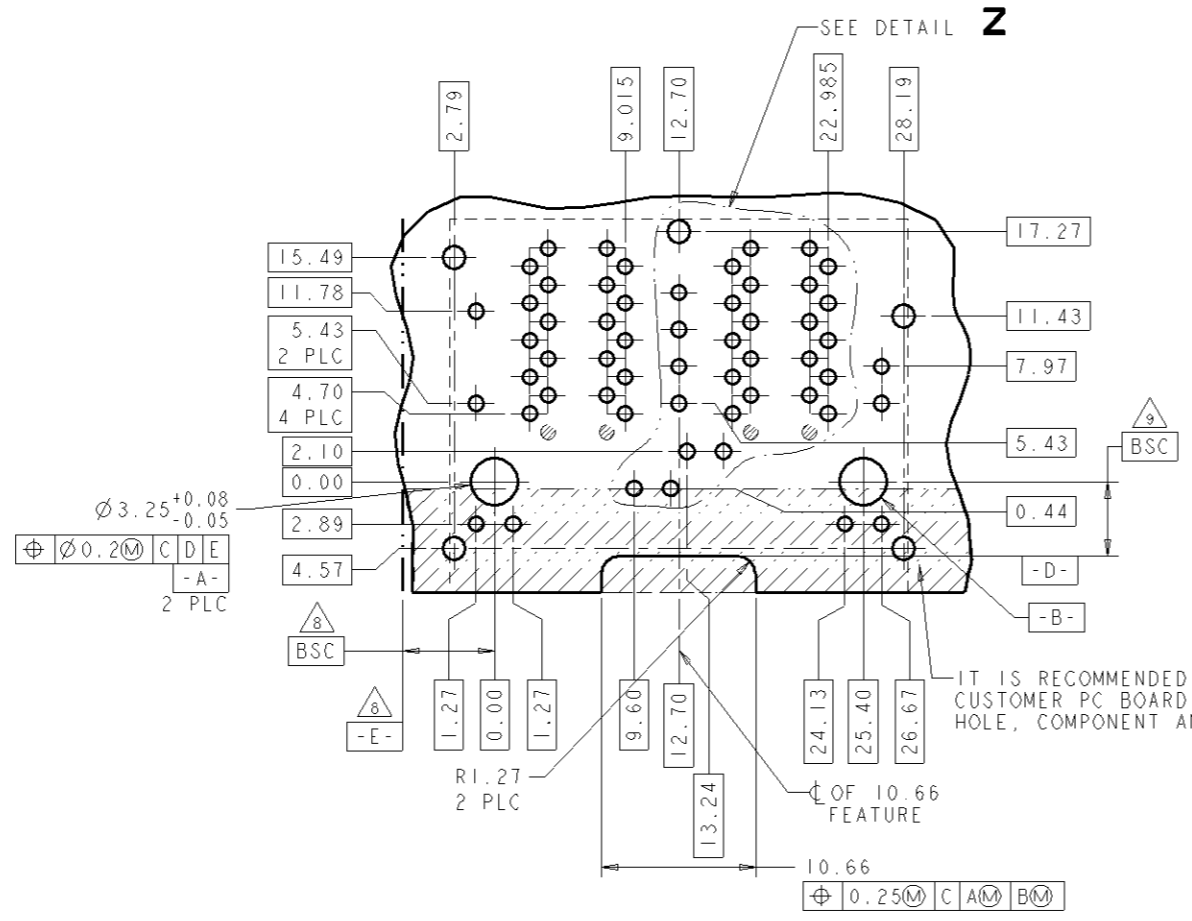


SIDE VIEW SHOWN WITH CUSTOMER PANEL AND PCB FOR LOCATION

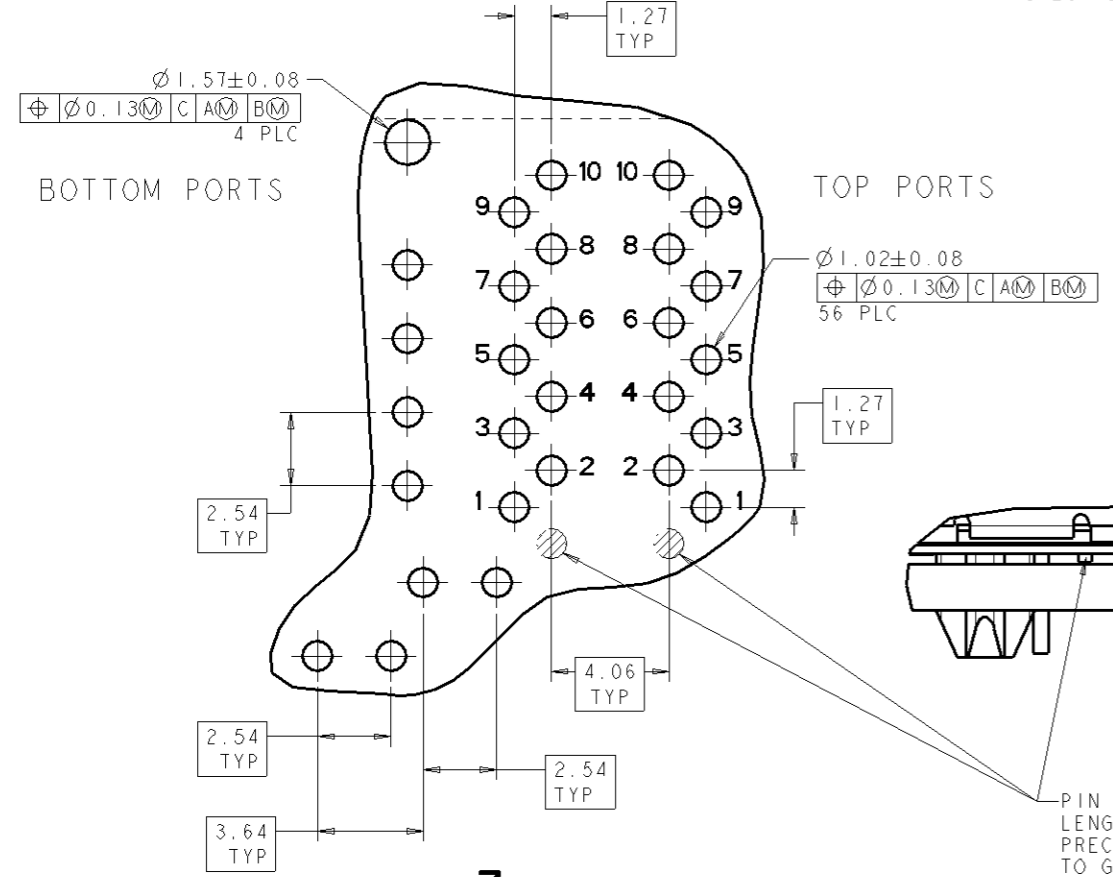


THIS DRAWING IS A CONTROLLED DOCUMENT.		CHK KEKE YOU 12 JUL 2006	NAME TODDY XIONG	SIZE A	CAGE CODE 100779	DRAWING NO. C=1840156	RESTRICTED TO -
DIMENSIONS: mm		APP'D ERIC GE 12 JUL 2006	PRODUCT SPEC 108-2100	SCALE 5:1		SHEET 2	OF 4
TOLERANCES UNLESS OTHERWISE SPECIFIED: 0 PLC ±0.25 1 PLC ±0.25 2 PLC ±0.25 3 PLC ±0.25 4 PLC ±0.25 ANGLES ±°		APPLICATION SPEC		WEIGHT -		REV D	
MATERIAL SEE NOTES		FINISH SEE NOTES		CUSTOMER DRAWING			

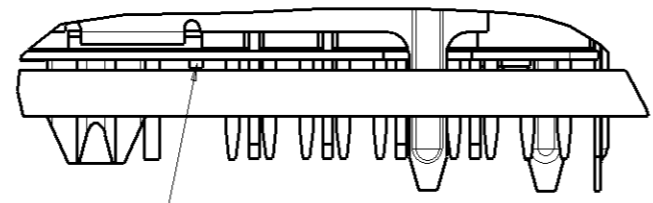
LOC	QTY	REV	DESCRIPTION	DATE	BY	APPD
AA	00		SEE SHEET 1			



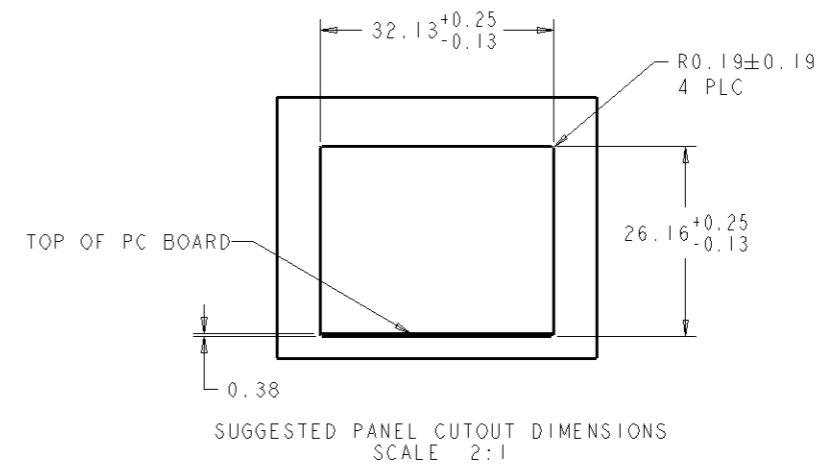
PC BOARD LAYOUT VIEW FROM COMPONENT SIDE



DETAIL Z
SCALE 8:1



PIN #0 ON MODULE JACK IS A STUB PIN WITH LENGTH SIMILAR TO PCB STANDOFF HEIGHT. PRECAUTIONS SHOULD BE TAKEN IN PCB DESIGN TO GUARD AGAINST SHORTING TRACES TO STUB PINS.

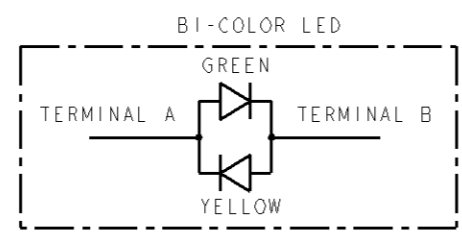
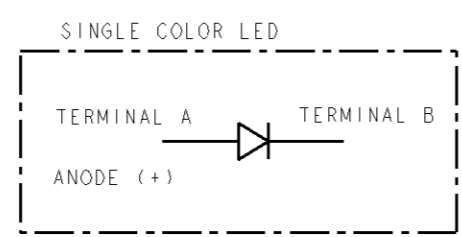
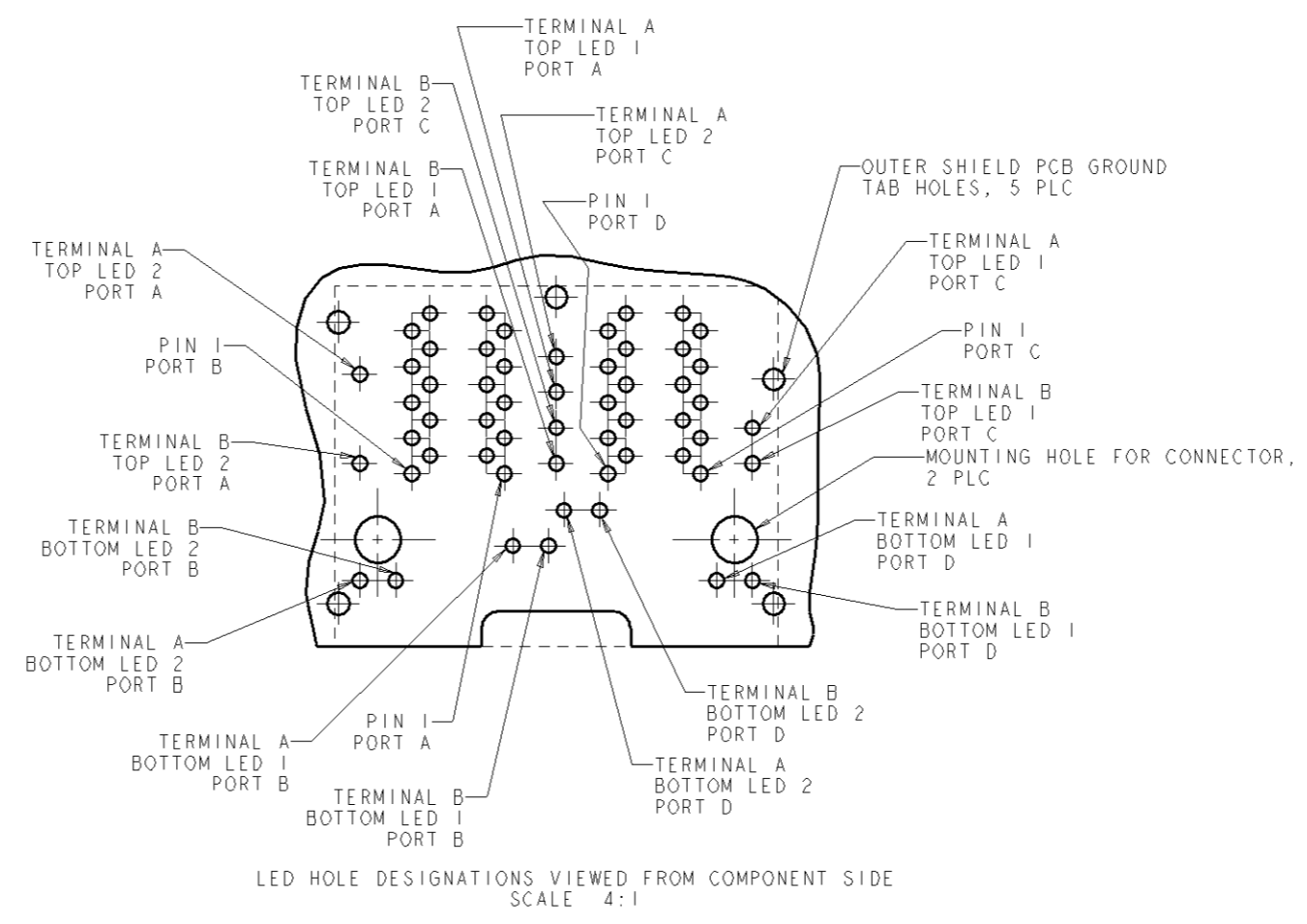


SUGGESTED PANEL CUTOUT DIMENSIONS
SCALE 2:1

DIMENSIONS		TOLERANCES UNLESS OTHERWISE SPECIFIED:		MATERIAL		FINISH		WEIGHT		CUSTOMER DRAWING	
mm		0 PLC	±0.25	SEE NOTES		SEE NOTES					
		1 PLC	±0.25								
		2 PLC	±0.25								
		3 PLC	±0.25								
		4 PLC	±0.25								
		ANGLES	±°								

THIS DRAWING IS A CONTROLLED DOCUMENT.	OWN: KEKE YOU 12JUL2006	NAME: 2X2 MAG45(TM), GIGABIT S8G16 CIRCUIT W/ LEDS, WAVE PANEL, GROUND SHIELD CONTACT PIN 2
CHK: ERIC GE 12JUL2006	APPD: TERRY XIONG 12JUL2006	SIZE: A 00779 C=1840156
PRODUCT SPEC: 108-2100	APPLICATION SPEC:	SCALE: 4:1
		SHEET: 3 of 4
		REV: D

REV	DATE	DESCRIPTION	DATE	BY	APP'D
AA	00	SEE SHEET 1			



THIS DRAWING IS A CONTROLLED DOCUMENT.		DATE: 12 JUL 2006	TE Connectivity
DRAWN: KEKE YOU		CHK: ERIC GE	
DIMENSIONS: mm		DATE: 12 JUL 2006	NAME: TEDDY XIONG
TOLERANCES UNLESS OTHERWISE SPECIFIED:		0 PLC ±0.25	PRODUCT SPEC: 2X2 MAG45(TM), GIGABIT S8G16 CIRCUIT W/ LEDS, WAVE PANEL, GROUND SHIELD CONTACT PIN 2
		1 PLC ±0.25	APPLICATION SPEC: 108-2100
		2 PLC ±0.25	SIZE: A
		3 PLC ±0.25	CAGE CODE: 1840156
		4 PLC ±0.25	DRAWING NO: 100779
		ANGLES: 0°	RESTRICTED TO: -
MATERIAL: SEE NOTES		FINISH: SEE NOTES	WEIGHT: -
CUSTOMER DRAWING		SCALE: 4:1	SHEET: 4 OF 4