



Chipsmall Limited consists of a professional team with an average of over 10 year of expertise in the distribution of electronic components. Based in Hongkong, we have already established firm and mutual-benefit business relationships with customers from,Europe,America and south Asia,supplying obsolete and hard-to-find components to meet their specific needs.

With the principle of “Quality Parts,Customers Priority,Honest Operation,and Considerate Service”,our business mainly focus on the distribution of electronic components. Line cards we deal with include Microchip,ALPS,ROHM,Xilinx,Pulse,ON,Everlight and Freescale. Main products comprise IC,Modules,Potentiometer,IC Socket,Relay,Connector.Our parts cover such applications as commercial,industrial, and automotives areas.

We are looking forward to setting up business relationship with you and hope to provide you with the best service and solution. Let us make a better world for our industry!



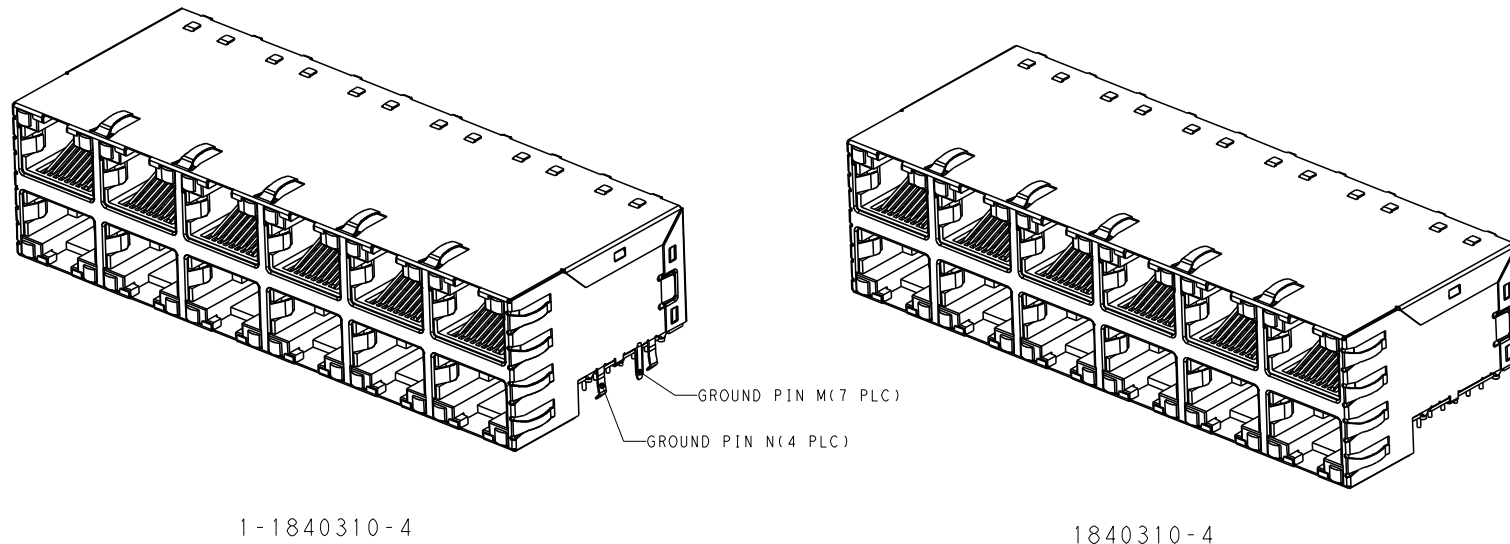
Contact us

Tel: +86-755-8981 8866 Fax: +86-755-8427 6832

Email & Skype: info@chipsmall.com Web: www.chipsmall.com

Address: A1208, Overseas Decoration Building, #122 Zhenhua RD., Futian, Shenzhen, China

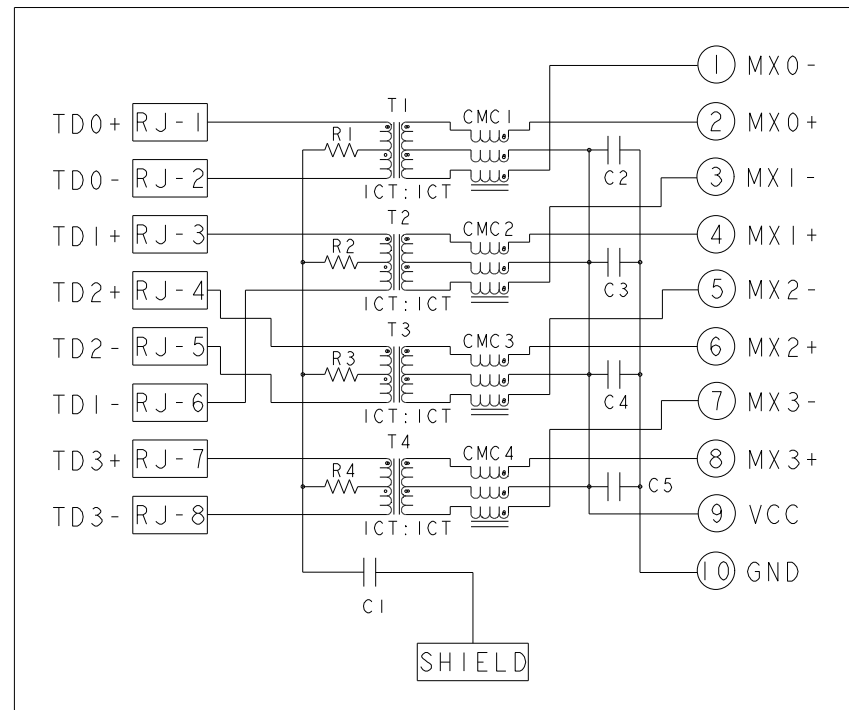




- MATERIALS:**
 - HOUSING: THERMOPLASTIC, BLACK, FLAMMABILITY RATING UL 94V-0.
 - SHIELD: BRASS, PREPLATED WITH 0.76um MIN SEMI-BRIGHT NICKEL, POST DIPPED WITH 2.54um MIN SAC SOLDER ON SOLDER TAILS.
 - CONTACTS: PHOSPHOR BRONZE, PLATED WITH 1.27um MIN OVERALL NICKEL UNDERPLATE, SELECTIVE 1.27um MIN GOLD AT MATING INTERFACE AND 2.54um MIN MATTE TIN ON SOLDER TAILS.
 - LED: DIFFUSED EPOXY LENS, CARBON STEEL LEAD FRAME LEADS, PREPLATED WITH 2.03um MIN SILVER OVER 1.02um MIN NICKEL OVER 1.02um MIN COPPER UNDERPLATE, POST PLATED WITH 2.54um MIN MATTE TIN AND/OR 2.54um MIN SAC SOLDER DIP OR PURE TIN SOLDER DIP.
- MAGNETICS**
 - APPLICATION: 10/100/1000 BASE-T
 - IMPEDANCE: 100 Ohms
 - TURNS RATIO (CHIP:CABLE): 1:1 ALL FOUR PAIRS
 - OPEN CIRCUIT INDUCTANCE (OCL): 350uH MIN @100kHz, 0.1VRMS, 8mADC BIAS FROM 0 °C TO 70 °C, ALL FOUR PAIRS
 - ALL FOUR PAIRS BI-DIRECTIONAL
 - PERFORMANCE @ 25 °C:
 - INSERTION LOSS (IL): 1.1dB MAX FROM 0.5MHz TO 100MHz
 - RETURN LOSS (RL): 18dB MIN FROM 0.5MHz TO 40MHz
 - 12-20LOG(f/80)dB MIN FROM 40.1MHz TO 100MHz
 - CROSSTALK ATTENUATION: 35dB MIN FROM 0.5MHz TO 40MHz
 - 33-20LOG(f/50)dB MIN FROM 40.1MHz TO 100MHz
 - COMMON MODE REJECTION RATIO (CMRR): 30dB MIN FROM 0.5MHz TO 100MHz
 - ISOLATION VOLTAGE: COMPLIES WITH IEEE802.3 2002, PARA, 40.6.1.1 ITEM b.

S8G31 GIGABIT CIRCUIT △△

Top and Bottom Ports

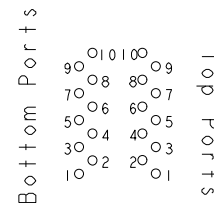


C1 = 1000pF, 2kV
 C2-C5 = 470pF, 10%, 50V
 R1-R4 = 75ohms, 1/16W

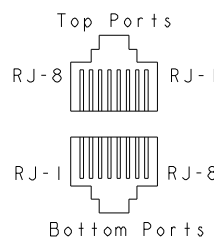
Pin Designations

(Repeat for each vertical pair of ports.)

PCB Pins
 (Top View,
 Comp. Side)



RJ Cable
 Contacts



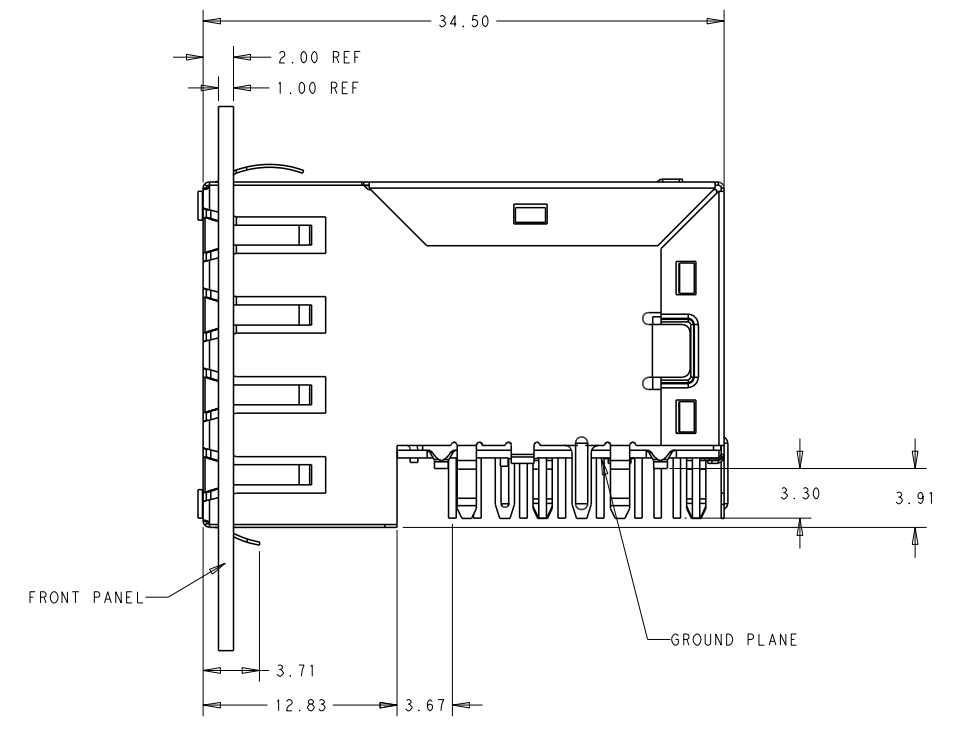
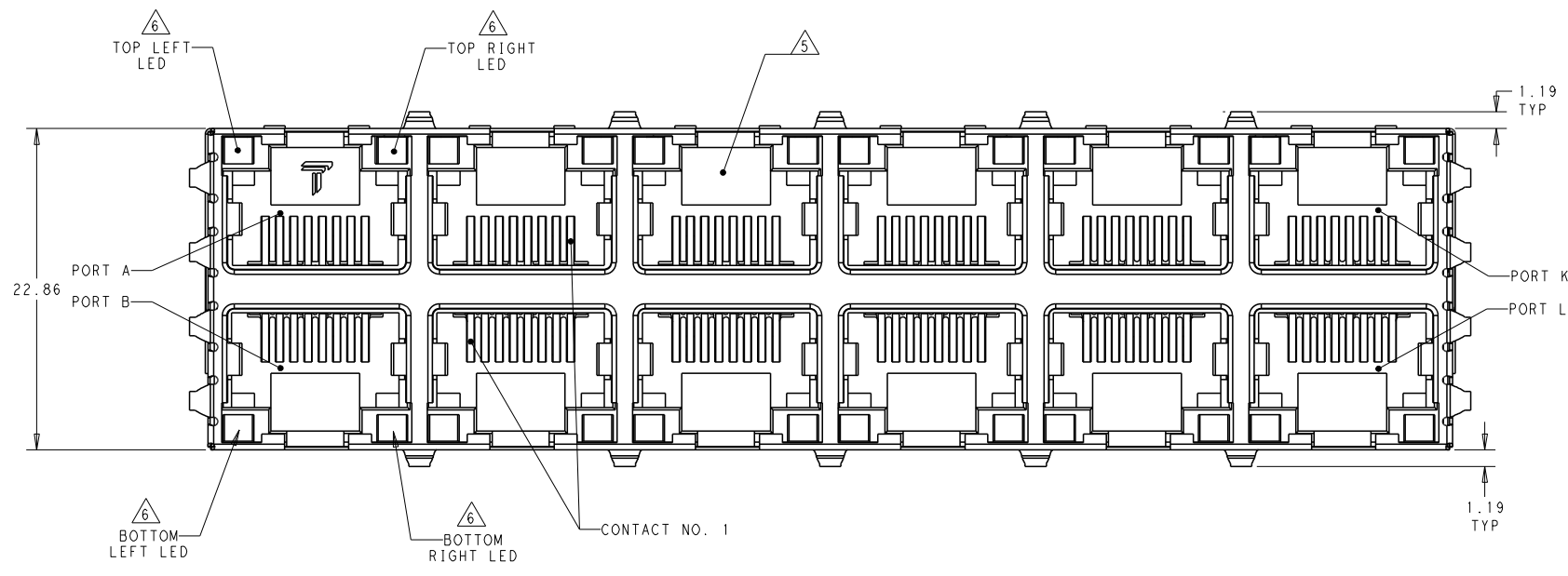
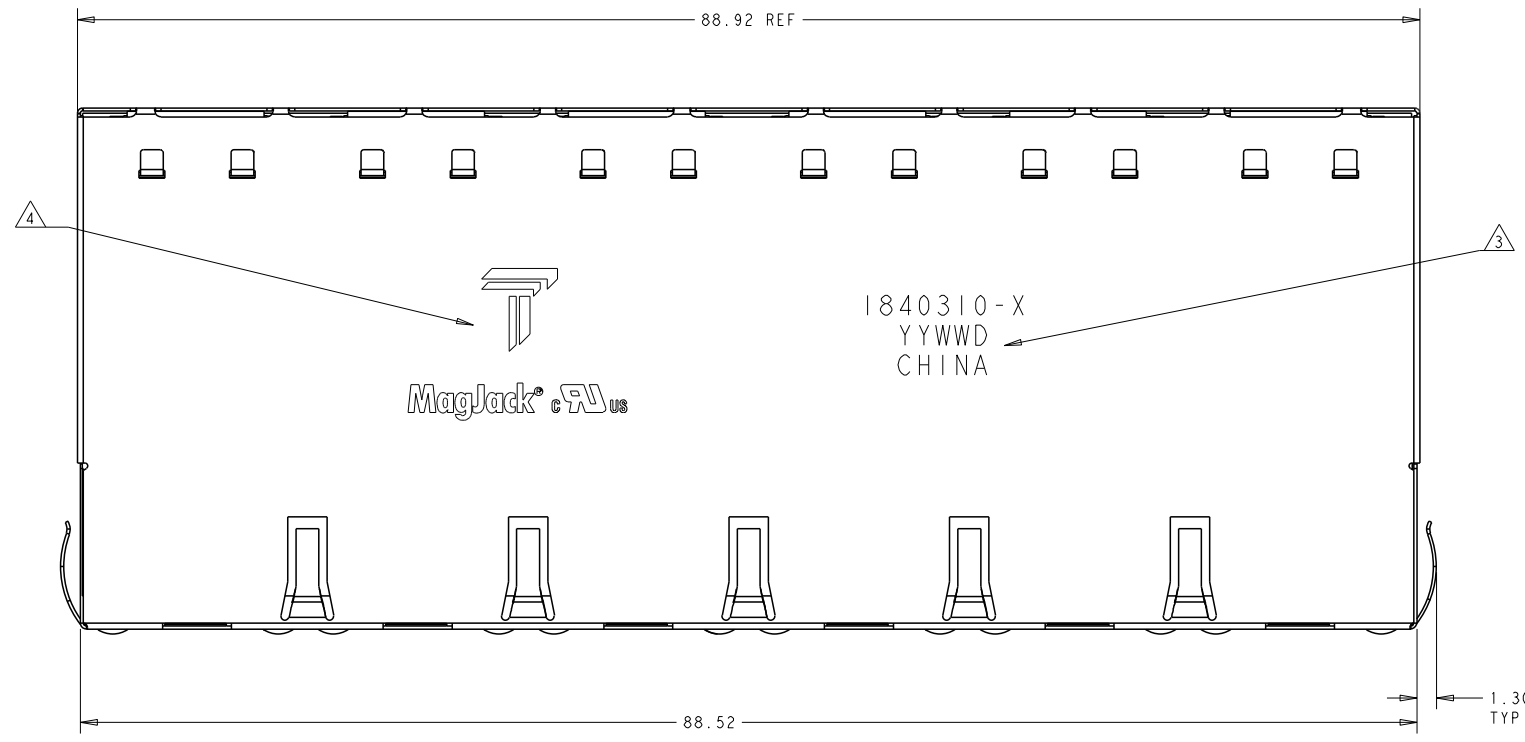
- PART NUMBER, DATE CODE AND COUNTRY OF ORIGIN ARE LOCATED IN THE APPROXIMATE AREA SHOWN. DATE CODE YYWW WHERE "YY" IS YEAR, "WW" IS WORK WEEK, "D" IS DAY OF WEEK WITH SUNDAY=1
- TRP CONNECTOR LOGO AND AGENCY APPROVAL LOGO ARE LOCATED IN THE APPROXIMATE AREA SHOWN.
- RJ45 CAVITIES CONFORM TO FCC RULES AND REGULATION PART 68 SUBPART F.
- LEDS ARE DRIVEN WITH CONSTANT CURRENT AT APPROX. 20mA.
 LED COLOR: DOMINANT WAVELENGTH (λD)
 GREEN 568nm TYP AT IF=20mA
 YELLOW 588nm TYP AT IF=20mA
 FORWARD VOLTAGE(VF)
 GREEN, 2.2V TYP AT IF=20mA
 YELLOW, 2.1V TYP AT IF=20mA
- INDICATED MAGNETIC CONNECTIONS ARE SYMMETRICAL AND SUPPORT AUTO-MDI/MDIX.

8. OPERATING TEMPERATURE: FROM 0 °C TO 70 °C

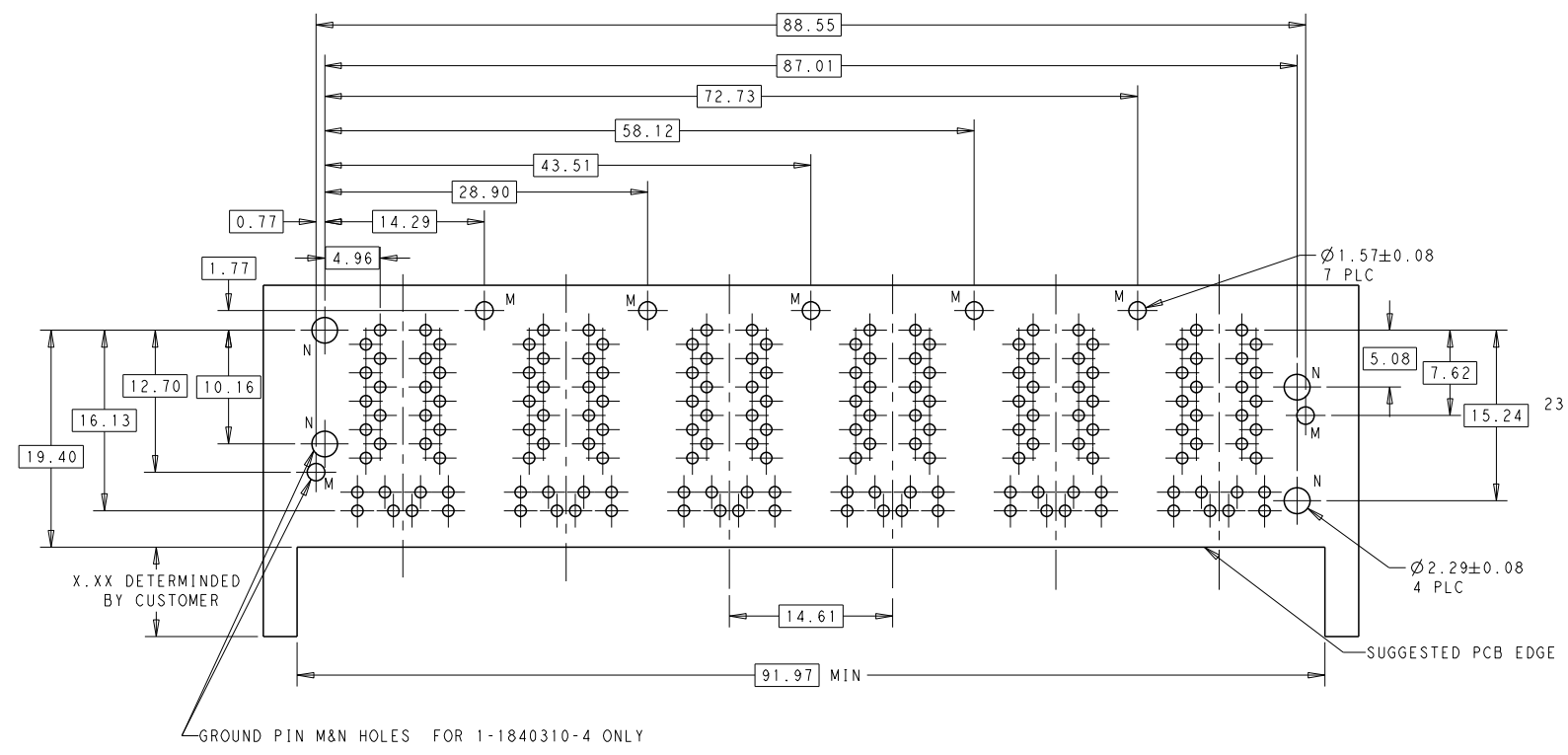
9. THE PARTS ARE RECOMMENDED FOR WAVE SOLDERING PROCESS, PEAK TEMPERATURE 265 °C MAX. 10 SECONDS MAX. IT IS RECOMMENDED THAT THE CONNECTOR SHIELD AND BODY BE MASKED TO PROTECT IT FROM DIRECT EXPOSURE TO THE SOLDER WAVE TO AVOID DAMAGE TO THE CONNECTOR AND LEADS.

WITH	YELLOW/GREEN	YELLOW/GREEN	YELLOW/GREEN	YELLOW/GREEN	1-1840310-4
WITHOUT	YELLOW/GREEN	YELLOW/GREEN	YELLOW/GREEN	YELLOW/GREEN	1840310-4
GROUND PINS M&N	TOP LEFT LED	TOP RIGHT LED	BOTTOM LEFT LED	BOTTOM RIGHT LED	PART NO.

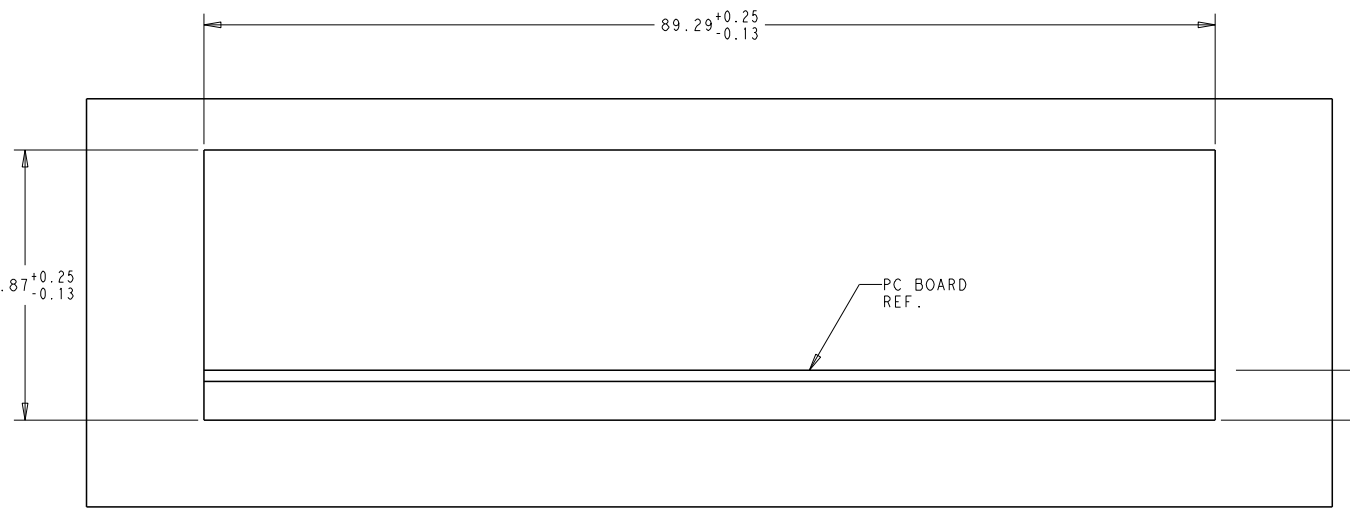
THIS DRAWING IS A CONTROLLED DOCUMENT.		DWN DALE PAN 30JUL2008	 DONGGUAN CHINA
DIMENSIONS: mm		CHK KEITH ZHU 30JUL2008	
TOLERANCES UNLESS OTHERWISE SPECIFIED:		APVD TEDDY XIANG 30JUL2008	
0 PLC ± 1 PLC ± 2 PLC ±0.25 3 PLC ± 4 PLC ± ANGLES ±	PRODUCT SPEC 108-104004 APPLICATION SPEC -	MODEL NAME MAGJACK STACK NON-PoE	DESC 2X6 S8G31 GIGABIT OFFSET W/ LED SIZE A1 CAGE CODE DRAWING NO 1840310 RESTRICTED TO SCALE 3:1 SHEET 1 OF 4 REV G



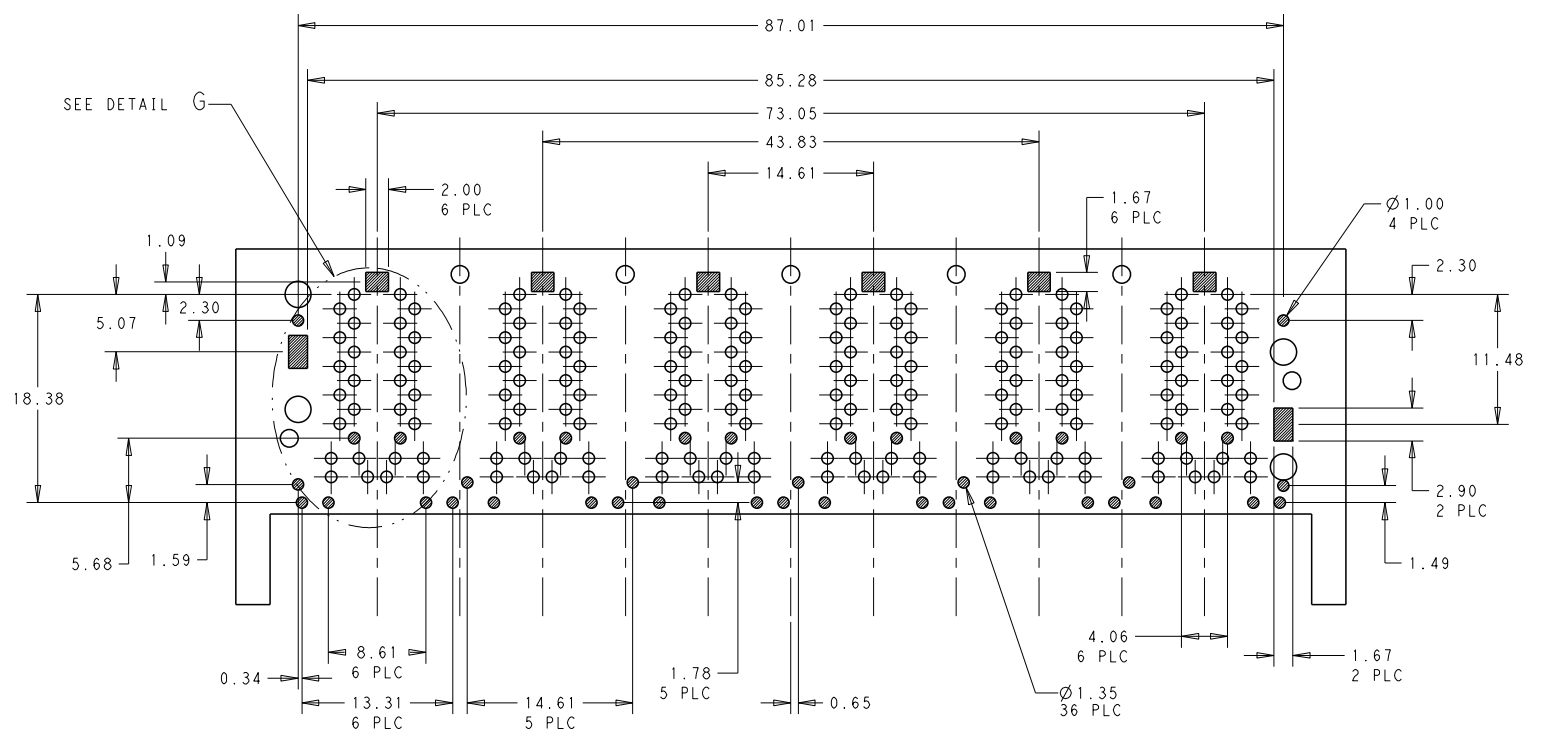
THIS DRAWING IS A CONTROLLED DOCUMENT.		DWN DALE PAN 30JUL2008	 TRP CONNECTOR a bel group	DONGGUAN CHINA	
DIMENSIONS: mm		CHK KEITH ZHU 30JUL2008		MODEL NAME	DESC
TOLERANCES UNLESS OTHERWISE SPECIFIED:		APPD TEDDY XIONG 30JUL2008		MAGJACK	2X6 S8G31 GIGABIT OFFSET W/ LED
0 PLC ± 1 PLC ± 2 PLC ±0.25 3 PLC ± 4 PLC ± ANGLES ±		PRODUCT SPEC 108-104004	APPLICATION SPEC -	SIZE A1 CAGE CODE DRAWING NO. 1840310 RESTRICTED TO SCALE 4:1 SHEET 2 OF 4 REV G	



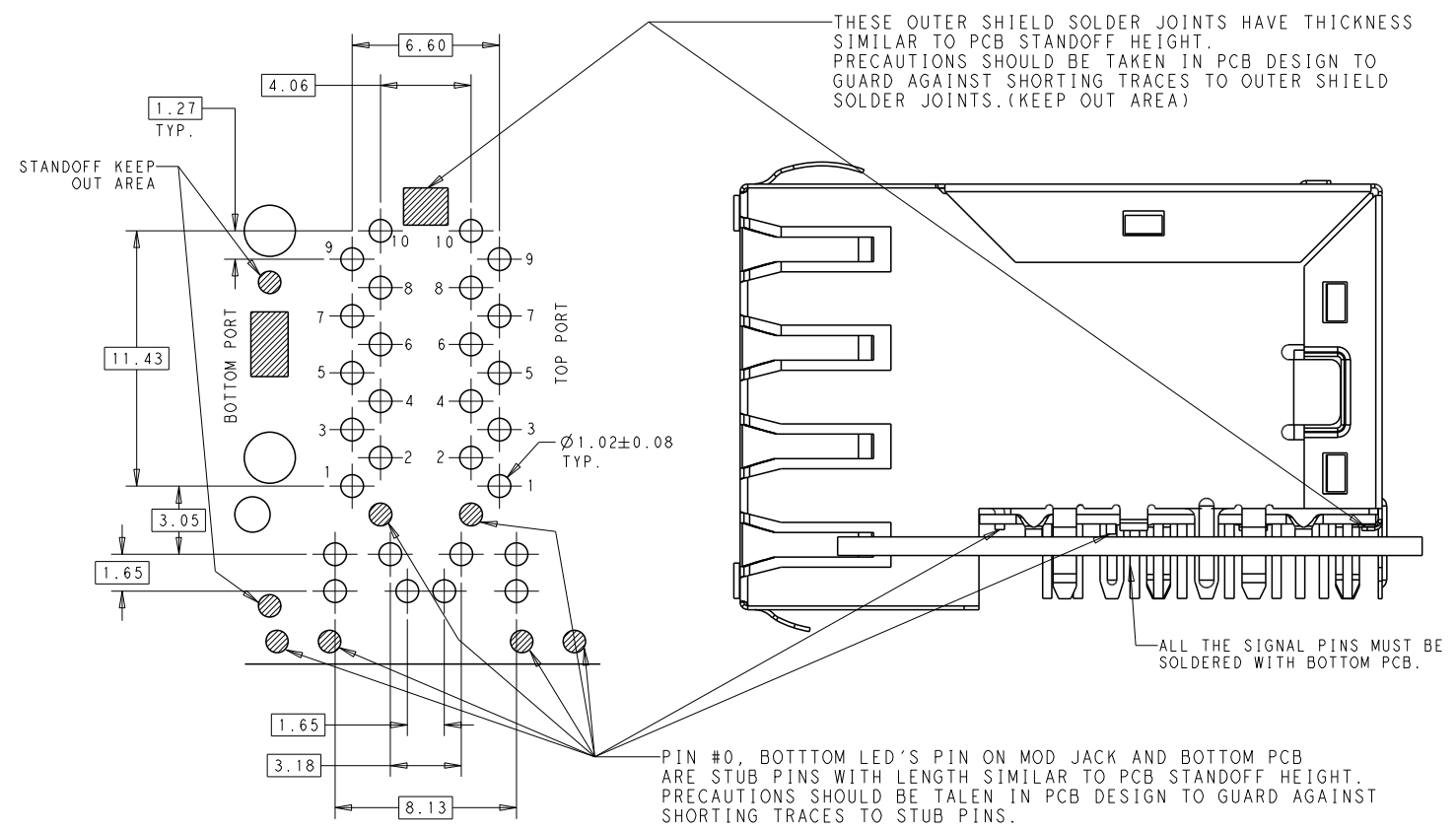
RECOMMENDED PC BOARD LAYOUT
 VIEWED FROM COMPONENT SIDE



RECOMMENDED PANEL CUT-OUT

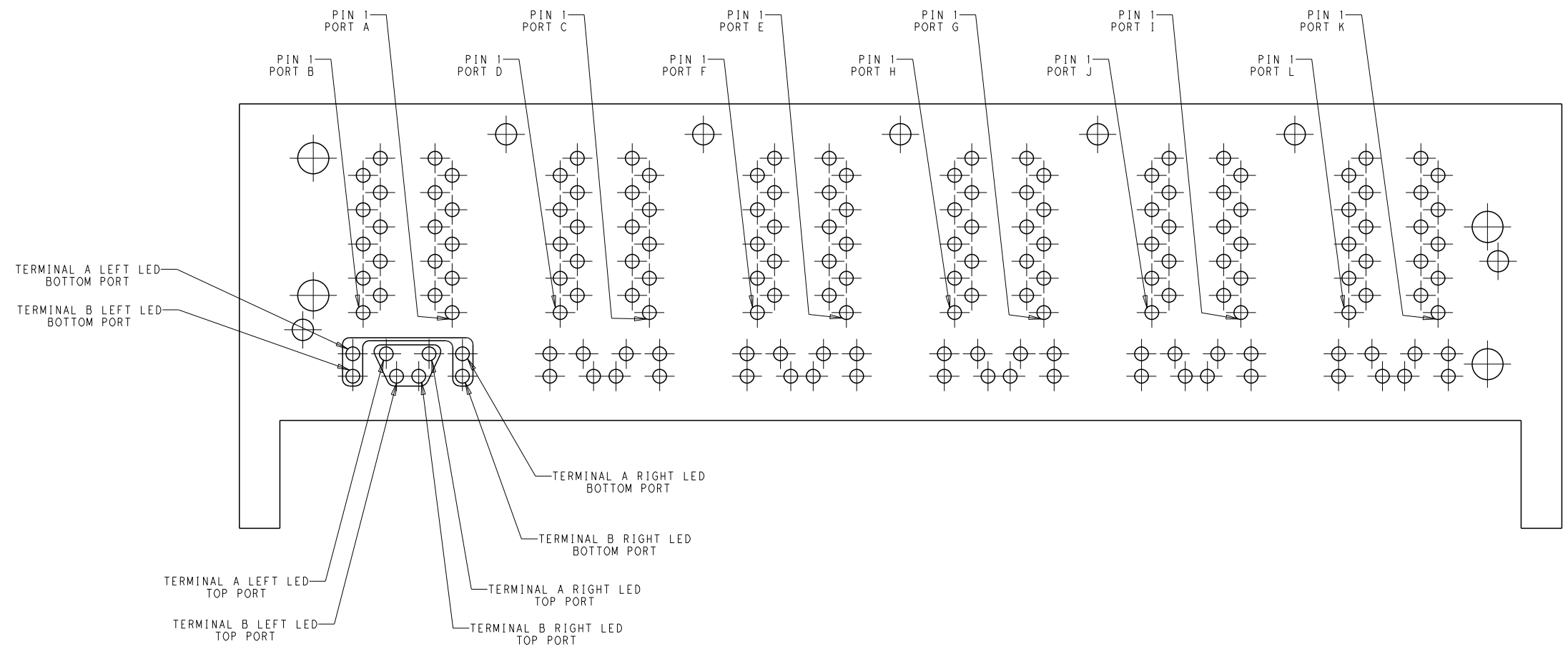


RECOMMENDED PC BOARD LAYOUT
 VIEWED FROM COMPONENT SIDE



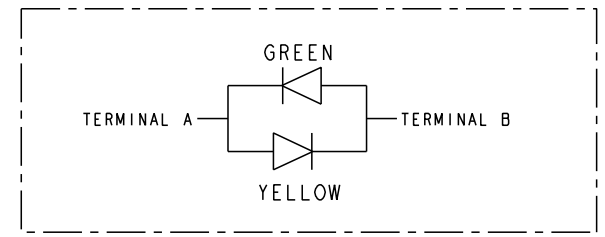
DETAIL G
 SCALE 6:1


THIS DRAWING IS A CONTROLLED DOCUMENT.		DWN DALE PAN 30JUL2008	 TRP CONNECTOR a bel group DONGGUAN CHINA
DIMENSIONS: mm		CHK KEITH ZHU 30JUL2008	
TOLERANCES UNLESS OTHERWISE SPECIFIED:		APPD TEDDY XIONG 30JUL2008	
0 PLC ± 1 PLC ± 2 PLC ±0.25 3 PLC ± 4 PLC ± ANGLES ±		MODEL NAME	
PRODUCT SPEC 108-104004	APPLICATION SPEC -	MAGJACK STACK NON-PoE CUSTOMER DRAWING	DESC 2X6 S8G31 GIGABIT OFFSET W/ LED SIZE CAGE CODE DRAWING NO RESTRICTED TO A1 ©=1840310 SCALE 3:1 SHEET 3 OF 4 REV G



LED HOLE DESIGNATIONS VIEWED FROM COMPONENT SIDE
 SCALE 5:1

BI COLOR LED



THIS DRAWING IS A CONTROLLED DOCUMENT.		DWN DALE PAN 30JUL2008		 trp CONNECTOR a bel group	DONGGUAN CHINA
DIMENSIONS: mm		CHK KEITH ZHU 30JUL2008			
TOLERANCES UNLESS OTHERWISE SPECIFIED:		APVD TEDDY XIANG 30JUL2008		DESC 2X6 S8G31 GIGABIT OFFSET W/ LED	
0 PLC ± 1 PLC ± 2 PLC ±0.25 3 PLC ± 4 PLC ± ANGLES ±		MODEL NAME		SIZE CAGE CODE DRAWING NO RESTRICTED TO	
PRODUCT SPEC 108-104004		APPLICATION SPEC -		MAGJACK STACK NON-PoE A1 ©=1840310	
CUSTOMER DRAWING				SCALE 3:1 SHEET 4 OF 4 REV G	