



Chipsmall Limited consists of a professional team with an average of over 10 year of expertise in the distribution of electronic components. Based in Hongkong, we have already established firm and mutual-benefit business relationships with customers from,Europe,America and south Asia,supplying obsolete and hard-to-find components to meet their specific needs.

With the principle of “Quality Parts,Customers Priority,Honest Operation,and Considerate Service”,our business mainly focus on the distribution of electronic components. Line cards we deal with include Microchip,ALPS,ROHM,Xilinx,Pulse,ON,Everlight and Freescale. Main products comprise IC,Modules,Potentiometer,IC Socket,Relay,Connector.Our parts cover such applications as commercial,industrial, and automotives areas.

We are looking forward to setting up business relationship with you and hope to provide you with the best service and solution. Let us make a better world for our industry!



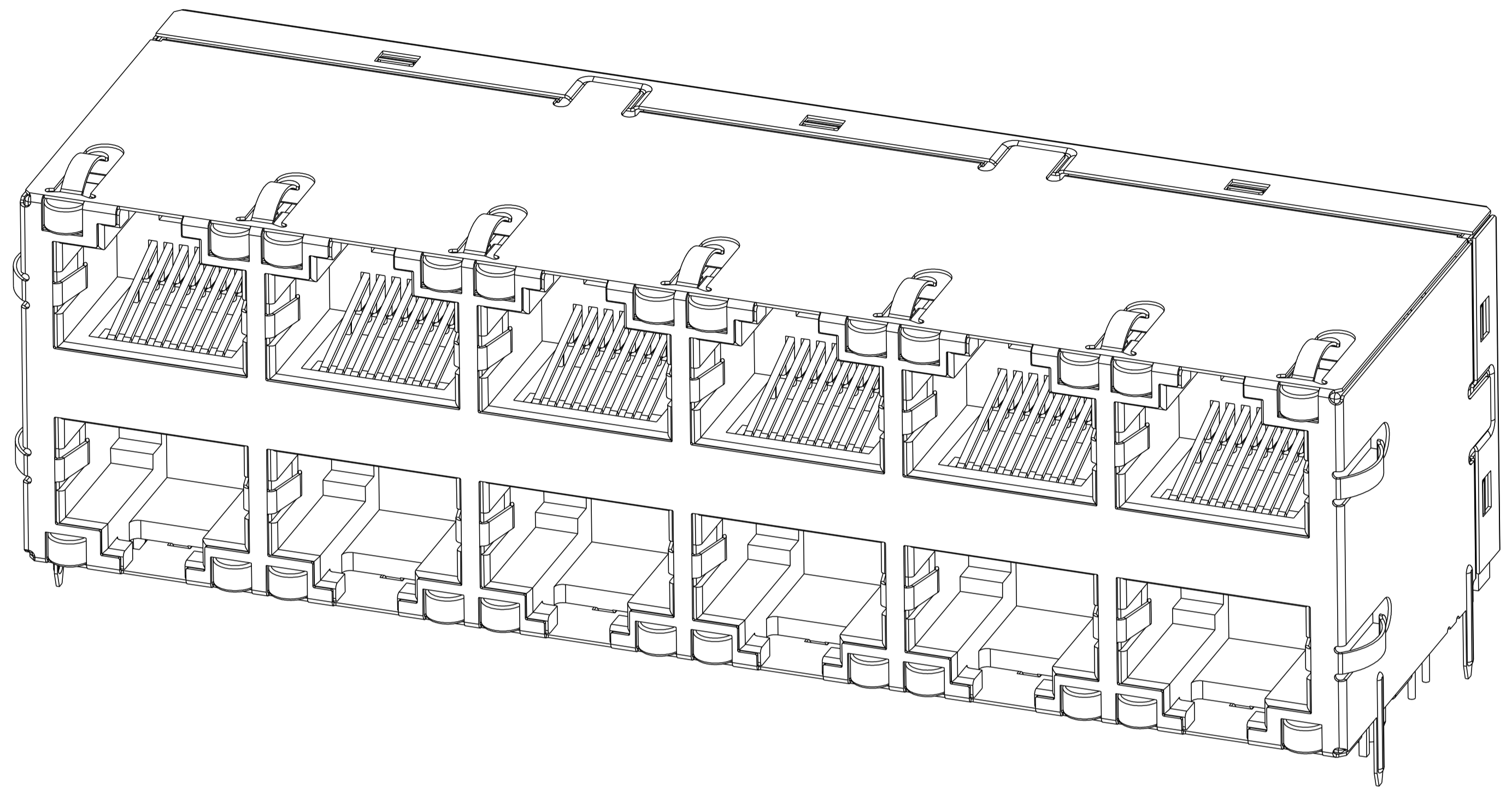
## Contact us

Tel: +86-755-8981 8866 Fax: +86-755-8427 6832

Email & Skype: info@chipsmall.com Web: www.chipsmall.com

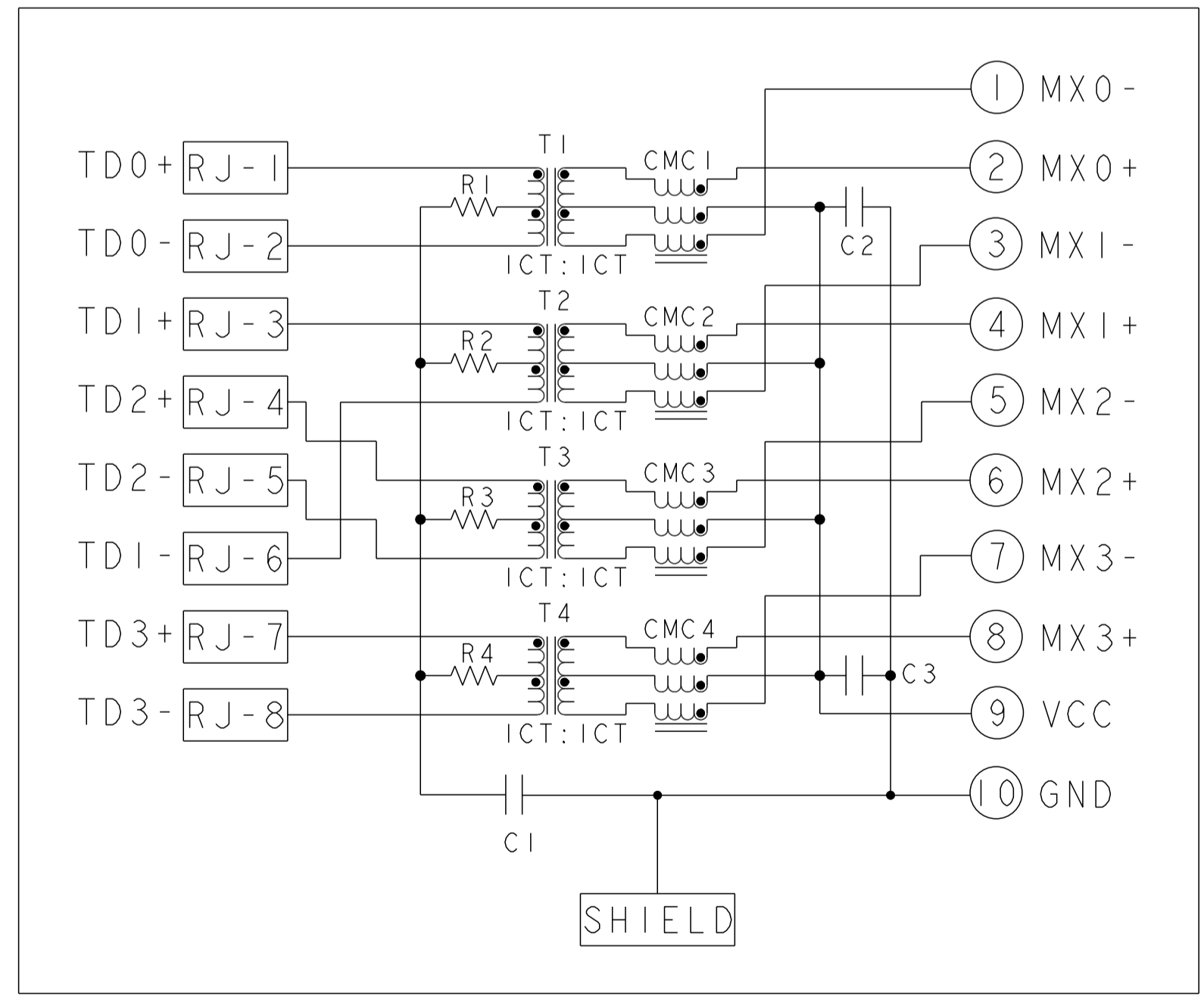
Address: A1208, Overseas Decoration Building, #122 Zhenhua RD., Futian, Shenzhen, China





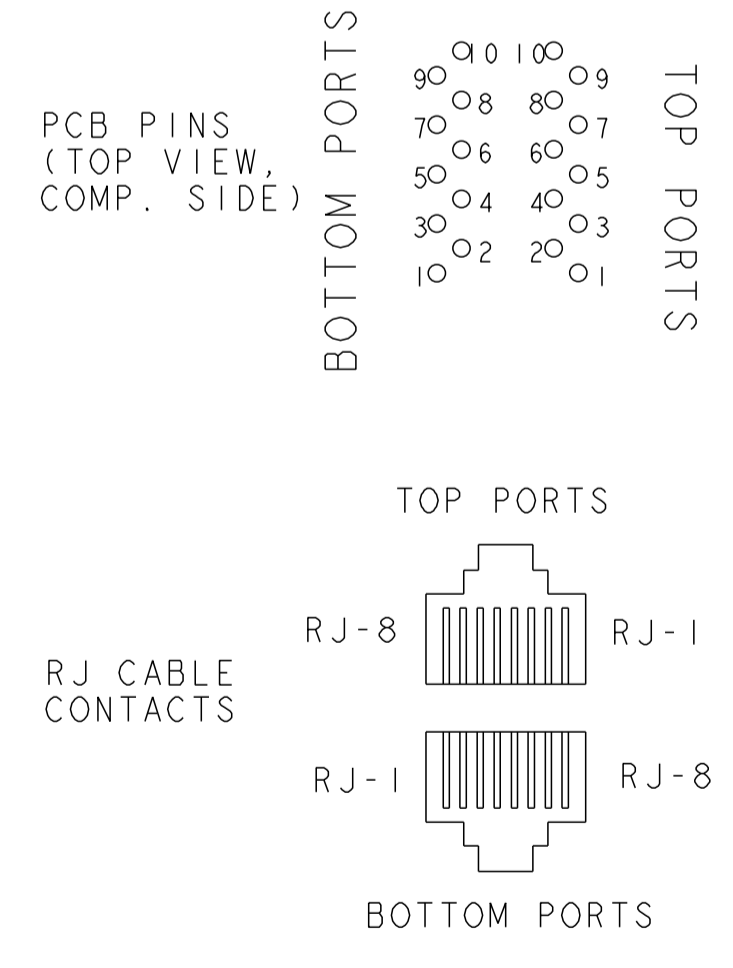
S8G56 GIGABIT CIRCUIT

TOP AND BOTTOM PORTS



C1 = 1000pF, 2kV CAPACITOR  
C2 - C3 = 10nF, 50V CAPACITORS  
R1 - R4 = 75 Ohms, 1/16W, RESISTORS

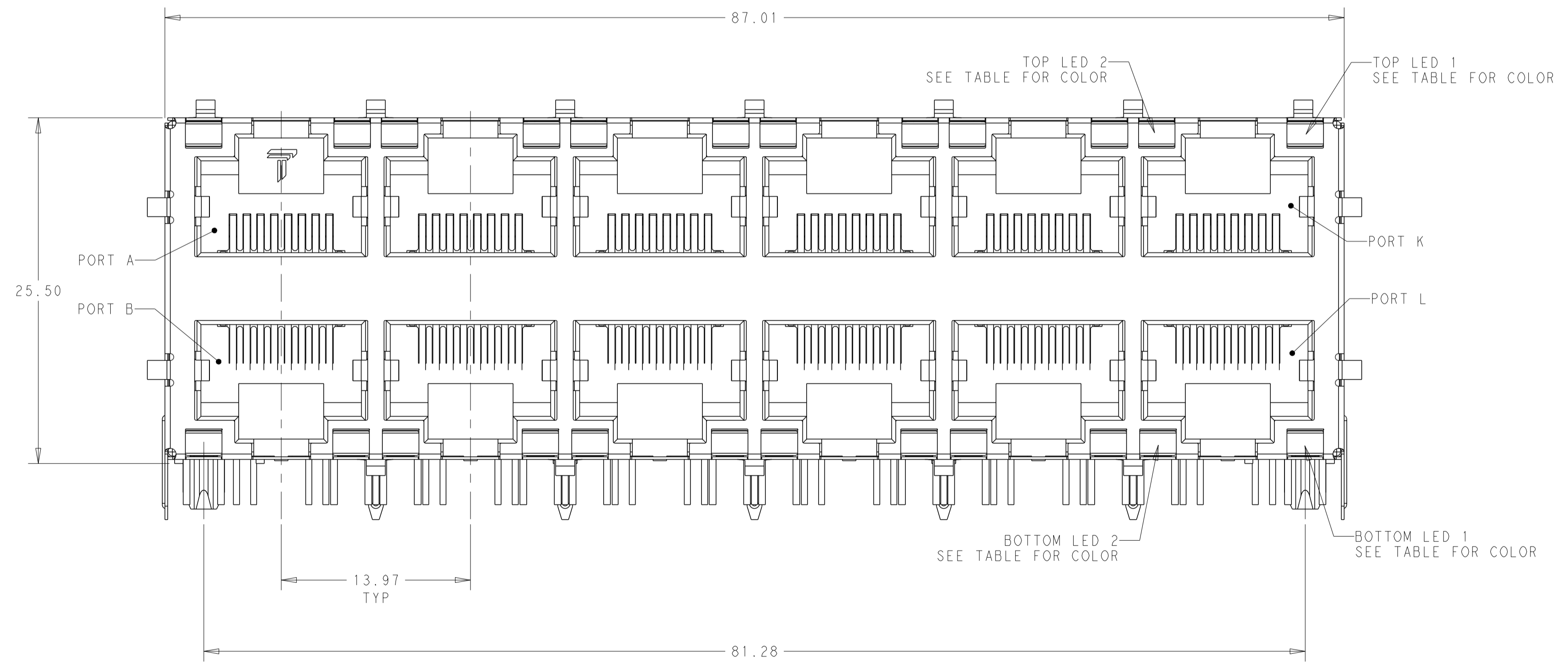
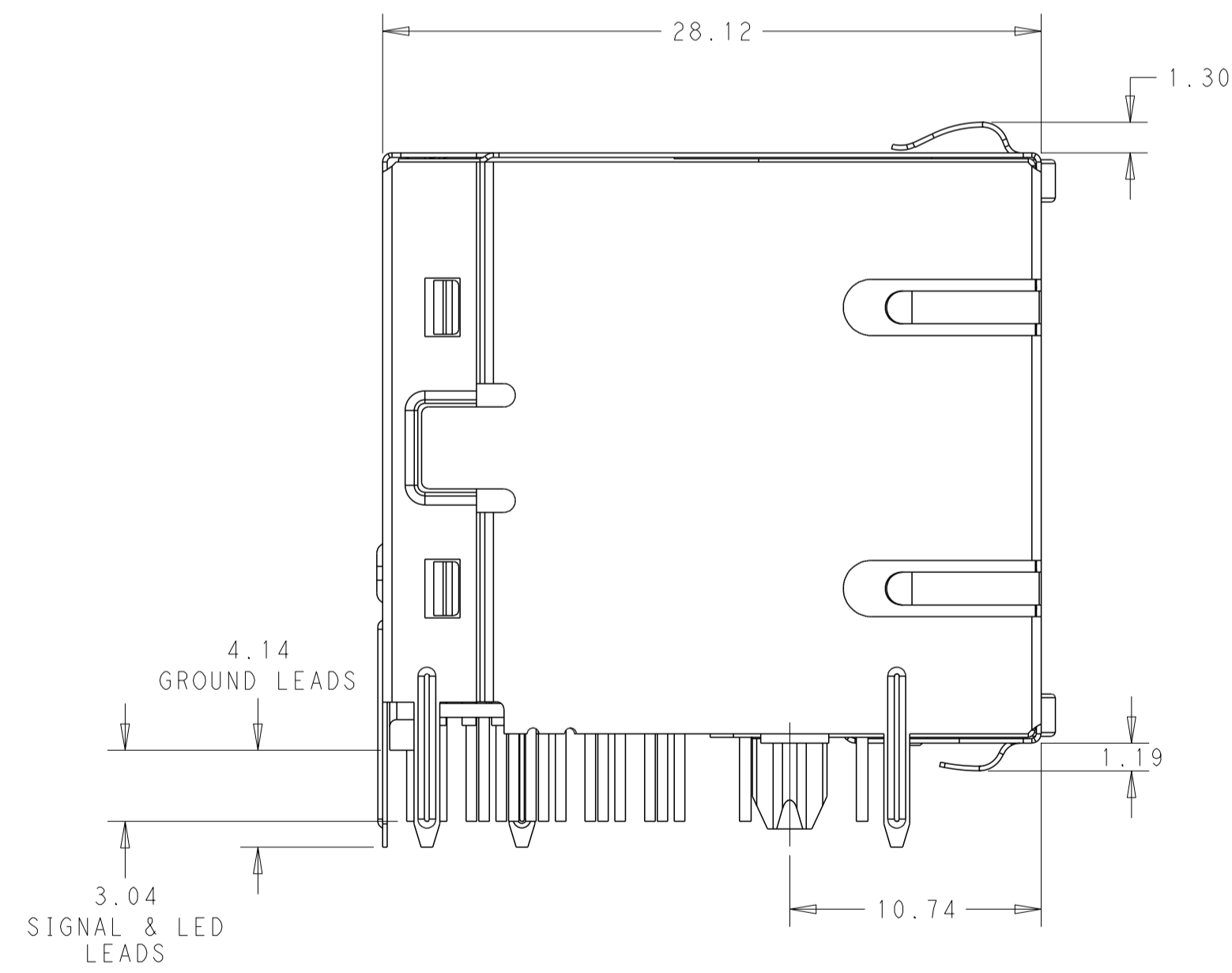
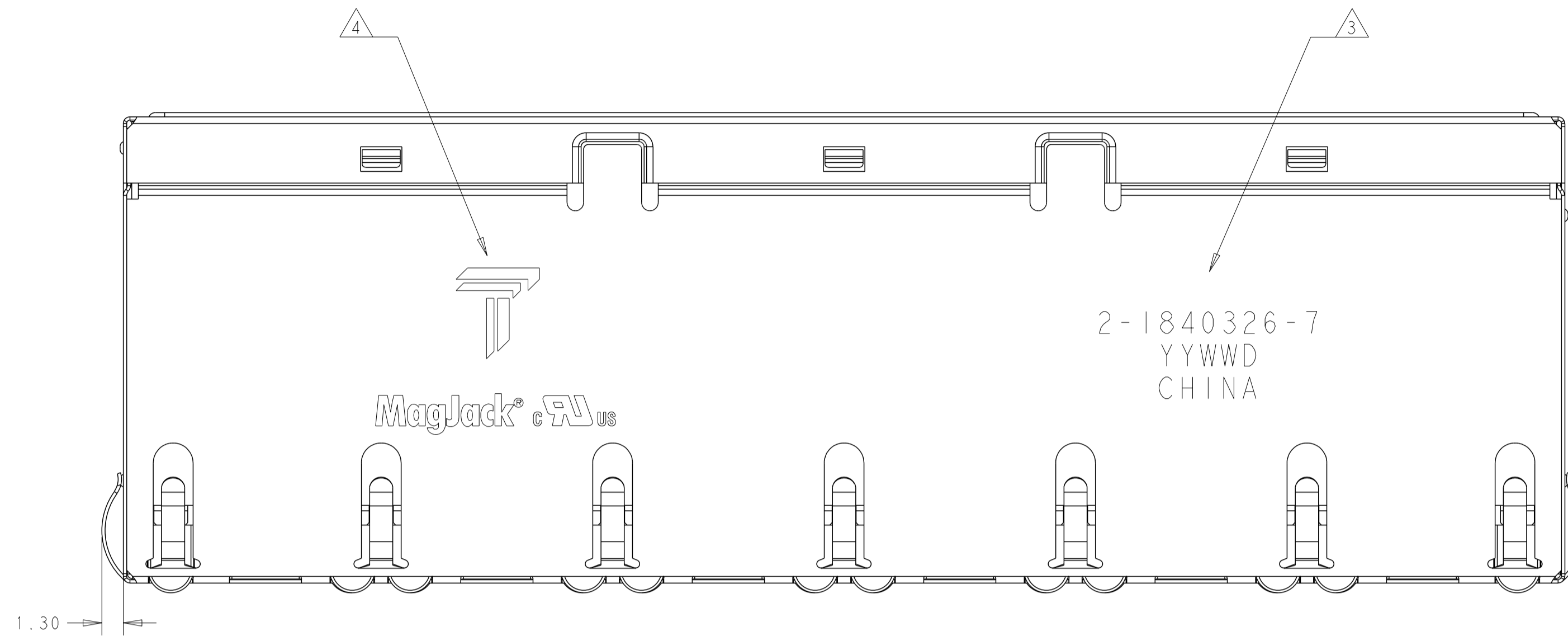
PIN DESIGNATIONS  
(REPEAT FOR EACH VERTICAL PAIR OF PORTS.)


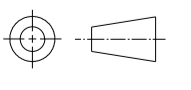


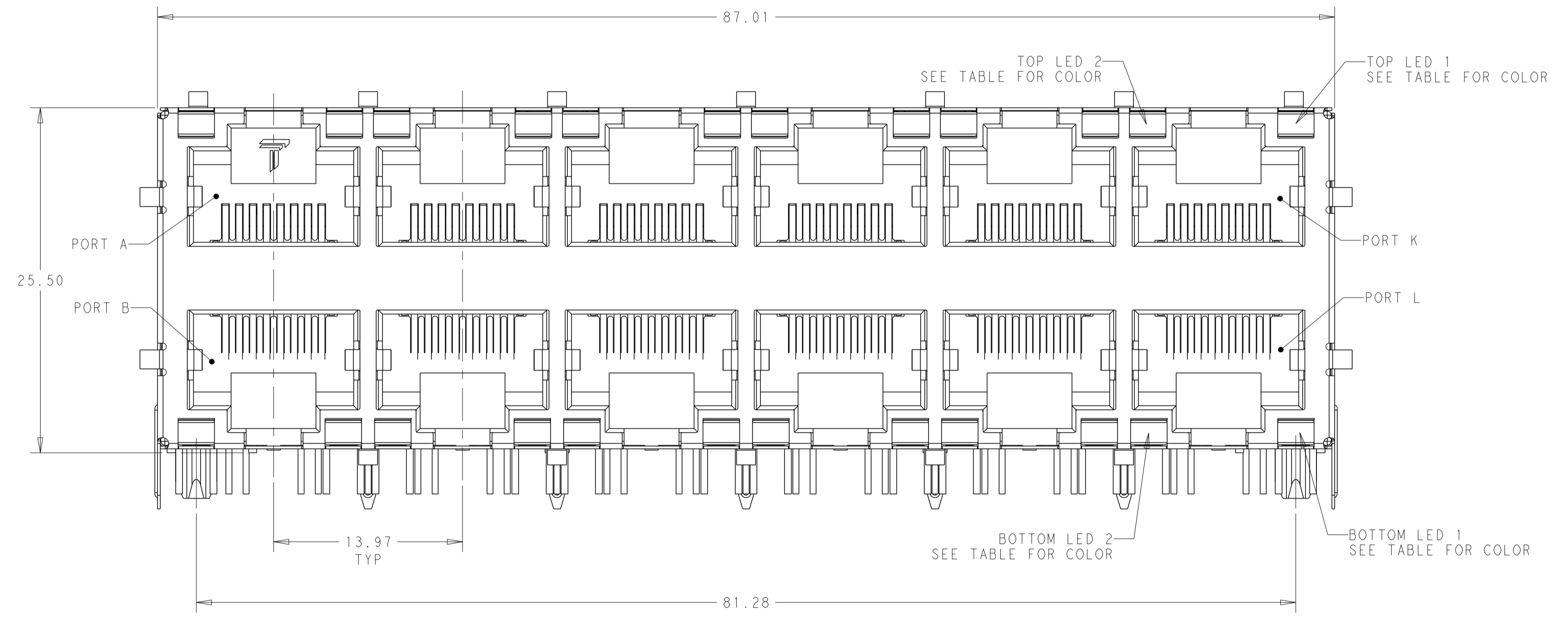
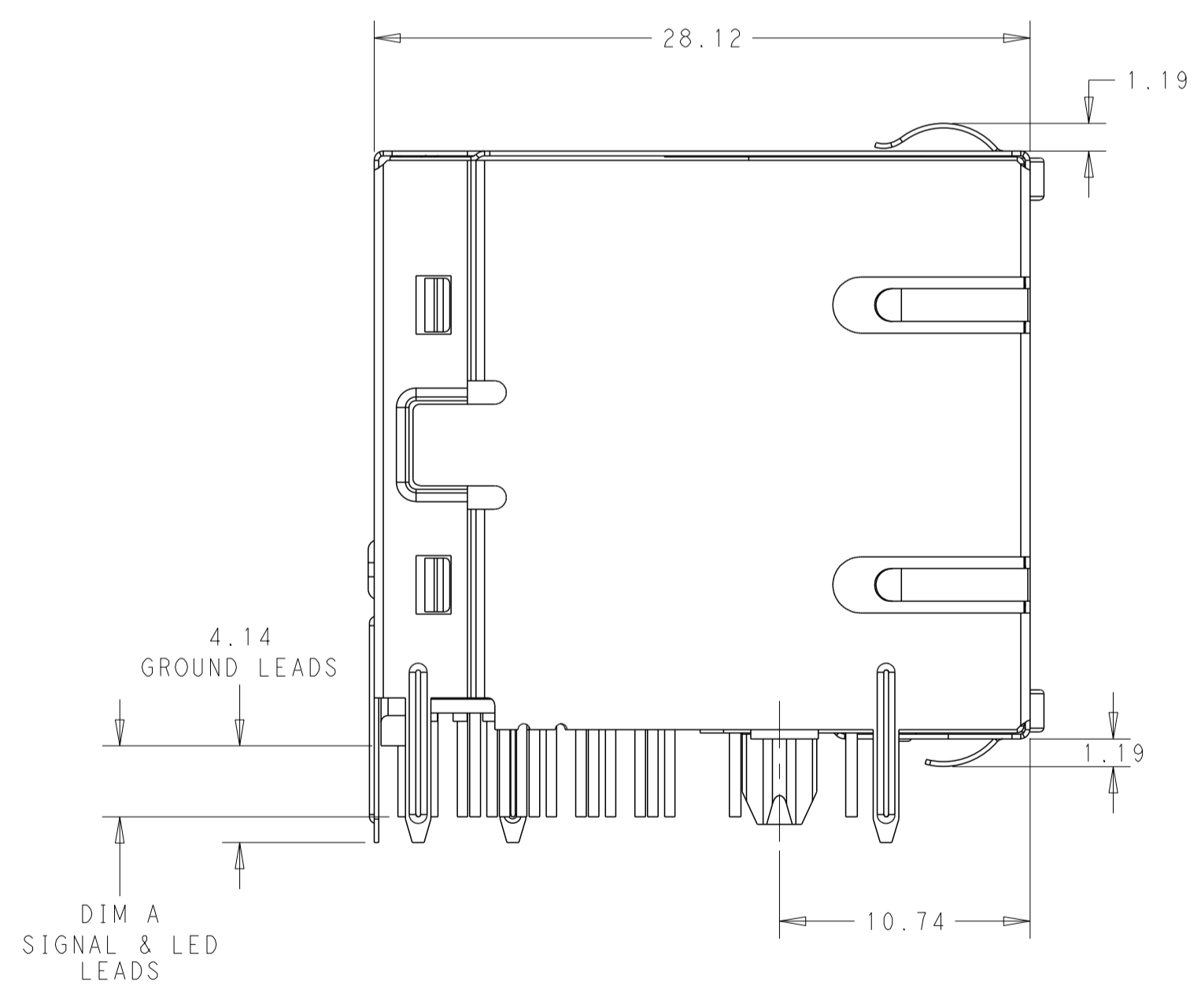
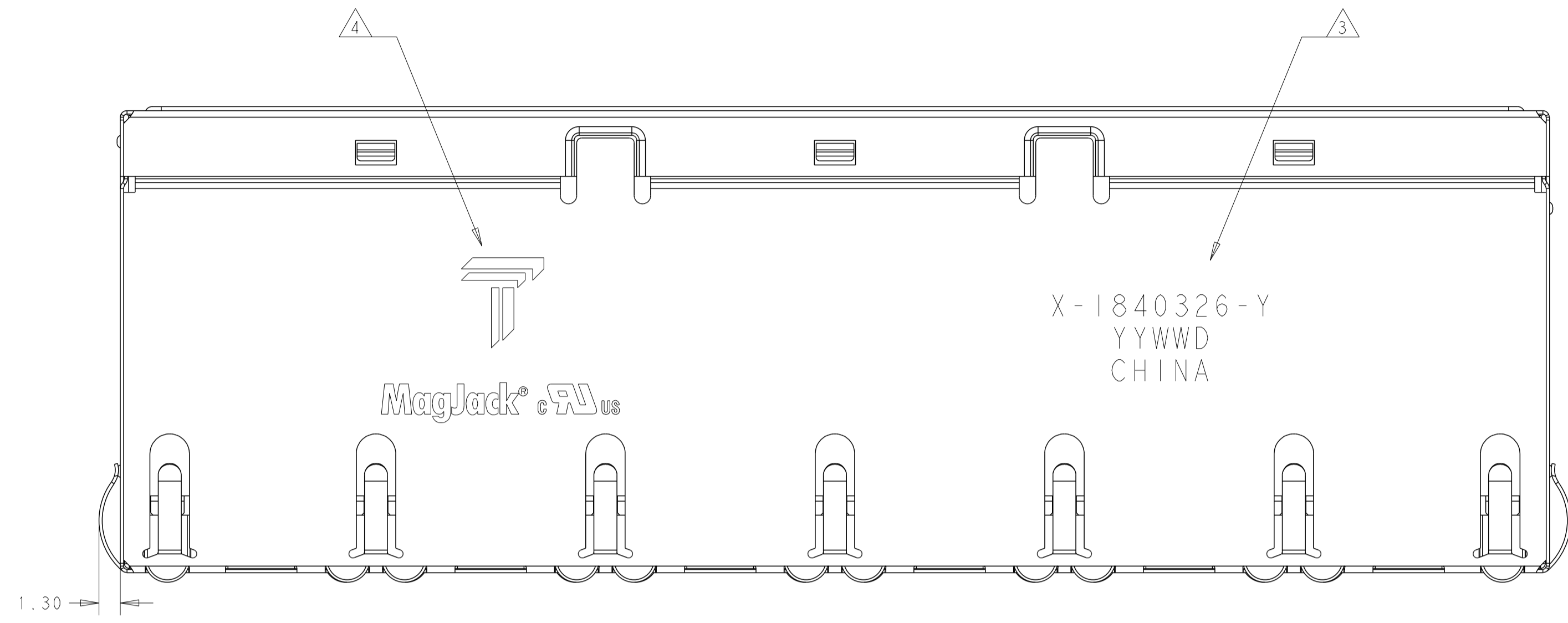
- MATERIALS:**  
 PLASTIC HOUSING: BLACK, THERMOPLASTIC FLAMMABILITY RATING UL 94V-0  
 SHIELD: BRASS, PREPLATED WITH 0.76um MIN SEMI-BRIGHT NICKEL, POST DIPPED WITH 2.54um MIN SAC SOLDER ON SOLDER TAILS,  
 CONTACTS: PHOSPHOR BRONZE, 1.27um MIN OVERALL NICKEL UNDERPLATE, WITH SELECT 0.05um MIN GOLD OVER 0.76um MIN PALLADIUM-NICKEL AT MATING INTERFACE AND 2.54um MIN MATTE TIN ON SOLDER TAILS.  
 LED: DIFFUSED EPOXY LENS, CARBON STEEL LEAD FRAME TAILS OF LED ARE PREPLATED WITH 2.03um MIN SILVER OVER 1.02um MIN NICKEL UNDERPLATE OVER 1.02um MIN COPPER UNDERPLATE. POST-PLATED WITH 2.54um MIN MATTE TIN AND/OR SAC SOLDER DIP OR PURE TIN SOLDER DIP  
 ALL PC BOARDS: HIGH TEMPERATURE PCB, TG>170°C
- MAGNETICS**  
 APPLICATION: 10/100/1000 BASE-T  
 IMPEDANCE: 100 OHMS  
 TURNS RATIO (CHIP:CABLE): 1:1 ALL FOUR PAIRS  
 OPEN CIRCUIT INDUCTANCE (OCL): 350uH MIN @100kHz, 0.1VRMS, 8mADC BIAS FROM 0°C TO 70°C, ALL FOUR PAIRS  
 ALL FOUR PAIRS BI-DIRECTIONAL  
 PERFORMANCE @ 25°C:  
 INSERTION LOSS (IL): 1.1dB MAX FROM 0.5MHz TO 100MHz  
 RETURN LOSS (RL): 18dB MIN FROM 0.5MHz TO 40MHz  
 12-20LOG(f/80)dB MIN FROM 40.1MHz TO 100MHz  
 CROSSTALK ATTENUATION: 35dB MIN FROM 0.5MHz TO 40MHz  
 33-20LOG(f/50)dB MIN FROM 40.1MHz TO 100MHz  
 COMMON MODE REJECTION RATIO (CMRR): 30dB MIN FROM 0.5MHz TO 100MHz  
 ISOLATION VOLTAGE: 2250VDC(MAX) FOR 60 SECONDS WITH A RISE TIME OF 500V/SEC AND WITH ALL PORTS CONNECTED.
- PART NUMBER, DATE CODE AND COUNTRY OF ORIGIN ARE LOCATED IN APPROXIMATE AREA SHOWN. DATE CODE: YYWW WHERE "YY" IS YEAR, "WW" IS WEEK, "D" IS DAY OF WEEK, WITH SUNDAY=1.
- TRP LOGO AND AGENCY APPROVAL LOGO ARE LOCATED IN APPROXIMATE AREA SHOWN.
- OPERATING TEMP: FROM 0°C TO +70°C.
- RJ45 CAVITY CONFORMS TO FCC RULES AND REGULATION PART 68 SUBPART F.
- INDICATED MAGNETIC CONNECTIONS ARE SYMMETRICAL AND SUPPORT AUTO-MDI/MDIX.
- DATUM AND BASIC DIMENSION ESTABLISHED BY CUSTOMER.
- BASIC DIMENSION ESTABLISHED BY CUSTOMER, BUT MAY NOT BE GREATER THAN 5.08mm.
- LEDS ARE DRIVEN WITH CONSTANT CURRENT AT APPROX 20mA  
 LED COLOR: DOMINANT WAVELENGTH (λD): GREEN 568 nm TYP. @ IF=20mA  
 FORWARD VOLTAGE (VF): GREEN 2.2V TYP. @ IF=20mA  
 DOMINANT WAVELENGTH (λD): ORANGE 605 nm TYP. @ IF=20mA  
 FORWARD VOLTAGE (VF): ORANGE 2.1V TYP. @ IF=20mA  
 DOMINANT WAVELENGTH (λD): YELLOW 588 nm TYP. @ IF=20mA  
 FORWARD VOLTAGE (VF): YELLOW 2.1V TYP. @ IF=20mA
- THE PARTS ARE RECOMMENDED FOR WAVE SOLDERING PROCESS, PEAK TEMPERATURE 260°C MAX, 10 SECONDS MAX.

SEE SHEET 3	2.40	GRN/YEL	GRN/YEL	GRN/YEL	GRN/YEL	3-1840326-4
SEE SHEET 3	2.40	GREEN	GREEN	GREEN	GREEN	3-1840326-1
SEE SHEET 3	3.04	GRN/YEL	GREEN	GRN/YEL	GREEN	1840326-5
SEE SHEET 3	3.04	GRN/YEL	GRN/YEL	GRN/YEL	GRN/YEL	1840326-4
SEE SHEET 2	3.04	GRN/ORA	GRN/ORA	GRN/ORA	GRN/ORA	2-1840326-7
SEE SHEET 3	3.56	GRN/ORA	GRN/ORA	GRN/ORA	GRN/ORA	1-1840326-7
SEE SHEET 3	3.56	GRN/YEL	GRN/YEL	GRN/YEL	GRN/YEL	1-1840326-4
SEE SHEET 3	3.04	GREEN	GREEN	GREEN	GREEN	1840326-1
OUTLINE DIMENSION	DIM A	BOTTOM LED 2	BOTTOM LED 1	TOP LED 2	TOP LED 1	PART NUMBER
THIS DRAWING IS A CONTROLLED DOCUMENT.						
DIMENSIONS: mm		TOLERANCES UNLESS OTHERWISE SPECIFIED:		DWT: TOMMY REN 30JAN2010 CHK: TONY YUAN 30JAN2010 APVD: KEITH ZHU 30JAN2010 MODEL NAME: MAGJACK PRODUCT SPEC: 108-104004		
0 PLC ±0.25 1 PLC ±0.25 2 PLC ±0.25 3 PLC ±0.25 4 PLC ± ANGLES ± APPLICATION SPEC ±		TRP CONNECTOR a bel group DONGGUAN CHINA		2X6 S8G56 GIGABIT W/ LED SIZE: A1 CAGE CODE: 1840326 DRAWING NO: 1840326 RESTRICTED TO: N SCALE: NTS SHEET: 1 OF 5 REV: N		

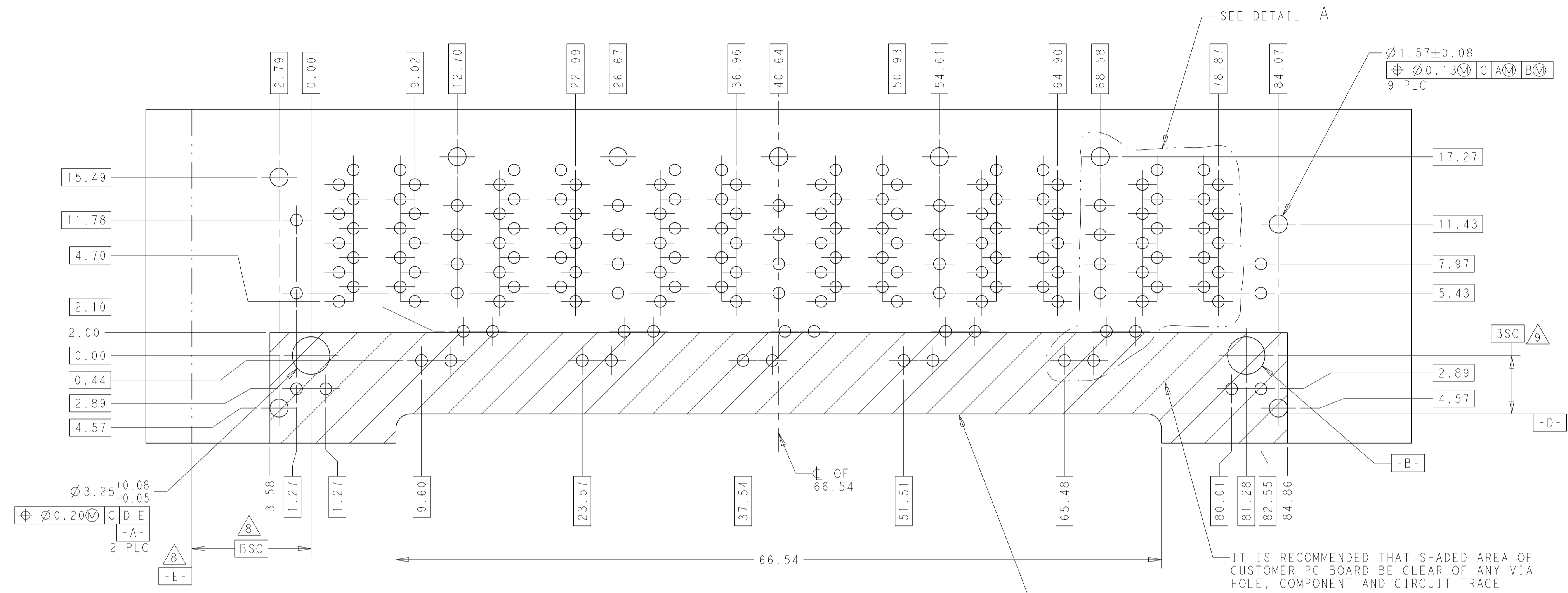
THIS SHEET FOR 2-1840326-7 ONLY



THIS DRAWING IS A CONTROLLED DOCUMENT.		DRW: TOMMY REN 30JAN2010	 <b>trp</b> CONNECTOR a bel group DONGGUAN CHINA
DIMENSIONS: mm		CHK: TONY YUAN 30JAN2010	
		APP'D: KEITH ZHU 30JAN2010	
TOLERANCES UNLESS OTHERWISE SPECIFIED:		MODEL NAME	DESC: 2X6 S8G56 GIGABIT W/ LED
0 PLC	±0.25	MAGJACK	SIZE: A1
1 PLC	±0.25	STACK Non-PoE	CAGE CODE: C=1840326
2 PLC	±0.25		DRAWING NO: -
3 PLC	±		RESTRICTED TO: -
4 PLC	±		SCALE: NTS
ANGLES	±		SHEET: 2 OF 5
APPLICATION SPEC	±		REV: N
PRODUCT SPEC: 108-104004		CUSTOMER DRAWING	



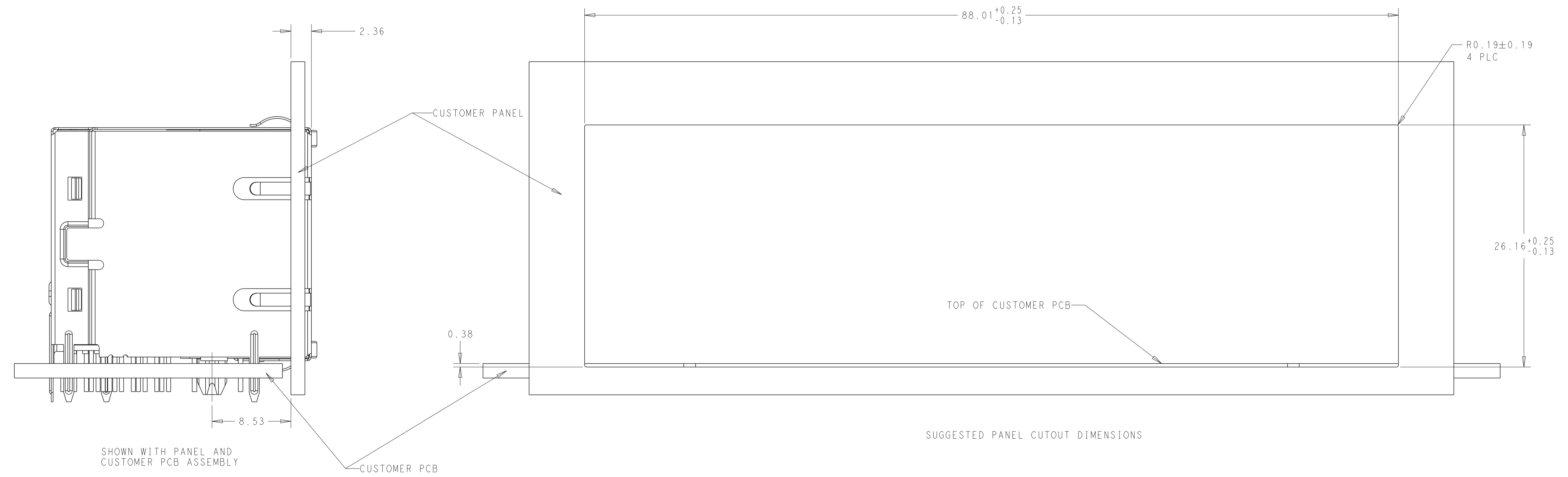
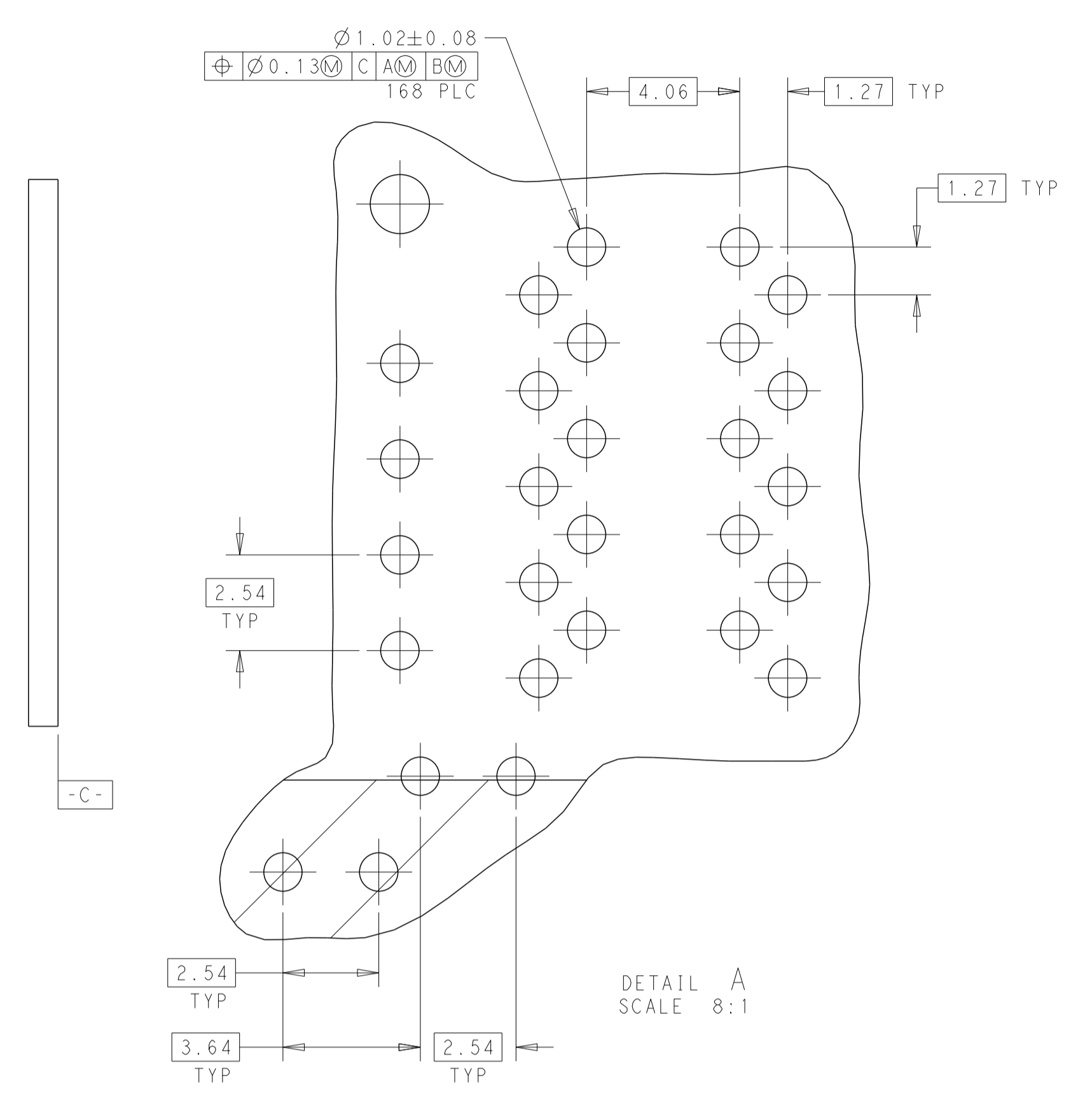
THIS DRAWING IS A CONTROLLED DOCUMENT.		DRW: TOMMY REN 30JAN2010	 <b>trp</b> CONNECTOR <small>a bel group</small> DONGGUAN CHINA
DIMENSIONS: mm		CHK: TONY YUAN 30JAN2010	
		APP'D: KEITH ZHU 30JAN2010	
TOLERANCES UNLESS OTHERWISE SPECIFIED: 0 PLC ±0.25 1 PLC ±0.25 2 PLC ±0.25 3 PLC ± 4 PLC ± ANGLES APPLICATION SPEC ±		MODEL NAME: MAGJACK	DESC: 2X6 S8G56 GIGABIT W/ LED
PRODUCT SPEC: 108-104004		SIZE: A1	RESTRICTED TO: -
CUSTOMER DRAWING		SCALE: NTS	SHEET 3 OF 5 REV N



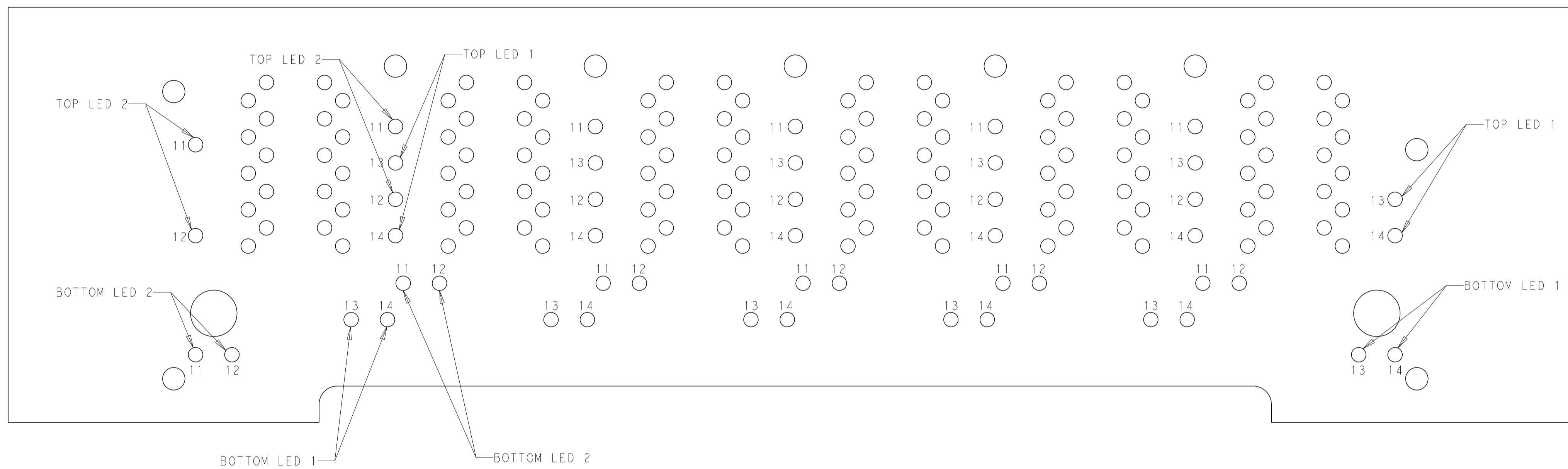
RECOMMENDED PCB LAYOUT COMPONENT SIDE VIEW

IT IS RECOMMENDED THAT SHADED AREA OF CUSTOMER PC BOARD BE CLEAR OF ANY VIA HOLE, COMPONENT AND CIRCUIT TRACE

RECOMMENDED PCB FRONT EDGE CUTOUT: THE BOTTOM SHIELD GROUND TABS(FRONT) SHOULD NOT BE SEATED ON THE TOP OF THE PCB

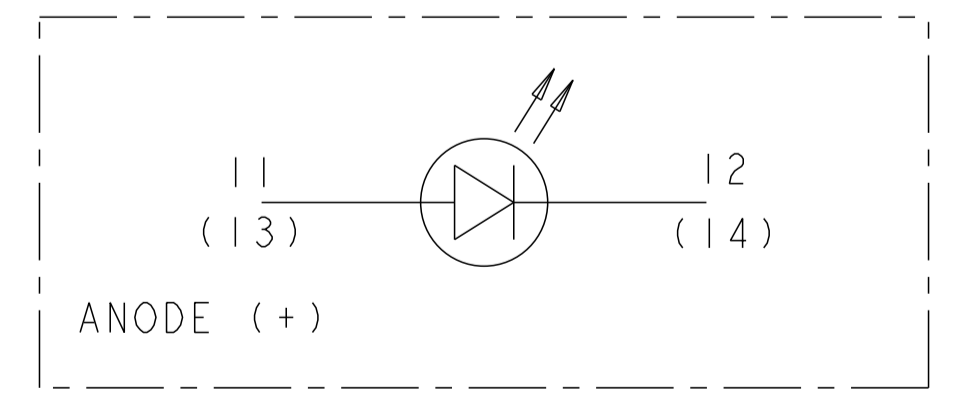


THIS DRAWING IS A CONTROLLED DOCUMENT.		DRW: TOMMY REN 30JAN2010	<b>trp</b> CONNECTOR a bel group DONGGUAN CHINA
DIMENSIONS: mm		CHK: TONY YUAN 30JAN2010	
		APP'D: KEITH ZHU 30JAN2010	
TOLERANCES UNLESS OTHERWISE SPECIFIED: 0 PLC ±0.25 1 PLC ±0.25 2 PLC ±0.25 3 PLC ± 4 PLC ± ANGLES ± APPLICATION SPEC ±		MODEL NAME: MAGJACK	DESC: 2X6 S8G56 GIGABIT W/ LED
PRODUCT SPEC: 108-104004		SIZE: A1	CAGE CODE: 1840326
CUSTOMER DRAWING		SCALE: NTS	SHEET 4 OF 5 REV N

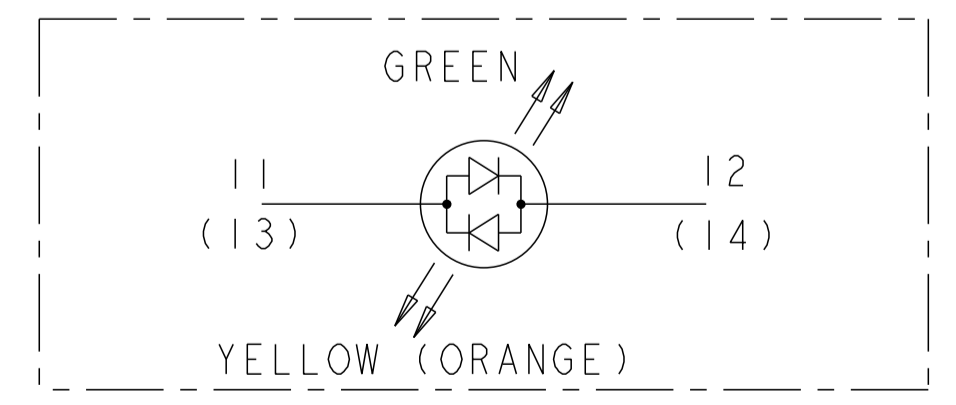



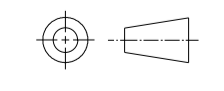
LED HOLE DESIGNATIONS VIEWED FROM COMPONENT SIDE

SINGLE COLOR LED



BI-COLOR LED



THIS DRAWING IS A CONTROLLED DOCUMENT.		DRW: TOMMY REN 30JAN2010	 <b>trp</b> CONNECTOR <small>a bel group</small>	DONGGUAN CHINA	
DIMENSIONS: mm		CHK: TONY YUAN 30JAN2010		DESC: 2X6 S8G56 GIGABIT W/ LED	RESTRICTED TO
		APP'D: KEITH ZHU 30JAN2010		MODEL NAME: MAGJACK	SIZE: A1
PRODUCT SPEC: 108-104004	TOLERANCES UNLESS OTHERWISE SPECIFIED:	APPL: -	STACK Non-PoE	DRAWING NO: C=1840326	
SCALE: NTS		SHEET 5 OF 5		REV N	