



Chipsmall Limited consists of a professional team with an average of over 10 year of expertise in the distribution of electronic components. Based in Hongkong, we have already established firm and mutual-benefit business relationships with customers from,Europe,America and south Asia,supplying obsolete and hard-to-find components to meet their specific needs.

With the principle of “Quality Parts,Customers Priority,Honest Operation,and Considerate Service”,our business mainly focus on the distribution of electronic components. Line cards we deal with include Microchip,ALPS,ROHM,Xilinx,Pulse,ON,Everlight and Freescale. Main products comprise IC,Modules,Potentiometer,IC Socket,Relay,Connector.Our parts cover such applications as commercial,industrial, and automotives areas.

We are looking forward to setting up business relationship with you and hope to provide you with the best service and solution. Let us make a better world for our industry!



Contact us

Tel: +86-755-8981 8866 Fax: +86-755-8427 6832

Email & Skype: info@chipsmall.com Web: www.chipsmall.com

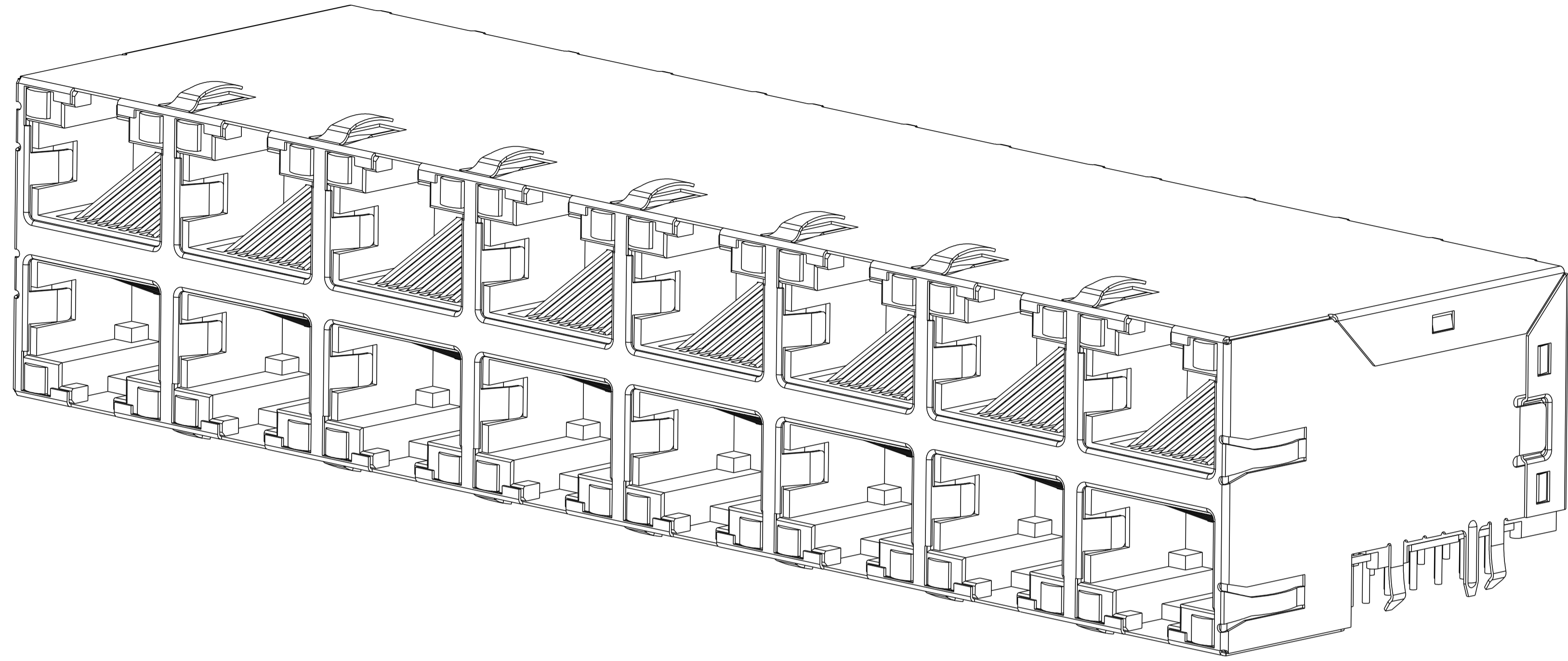
Address: A1208, Overseas Decoration Building, #122 Zhenhua RD., Futian, Shenzhen, China



8 7 6 5 4 3 2 1
 THIS DRAWING AND THE SUBJECT MATTER SHOWN THEREON ARE CONFIDENTIAL AND THE PROPERTY OF BEL/STEWART/TRP CONNECTOR AND SHALL NOT BE REPRODUCED, COPIED, OR USED IN ANY MANNER WITHOUT THE WRITTEN CONSENT OF TRP CONNECTOR.

PRODUCT MAY BE PROTECTED BY ONE OR MORE OF THE FOLLOWING US PATENTS:
 5736910 5939955 6425781 6428361 6554638 6840817 7123117
 7429195 7717749 7808751 6217391 6149050 7924130

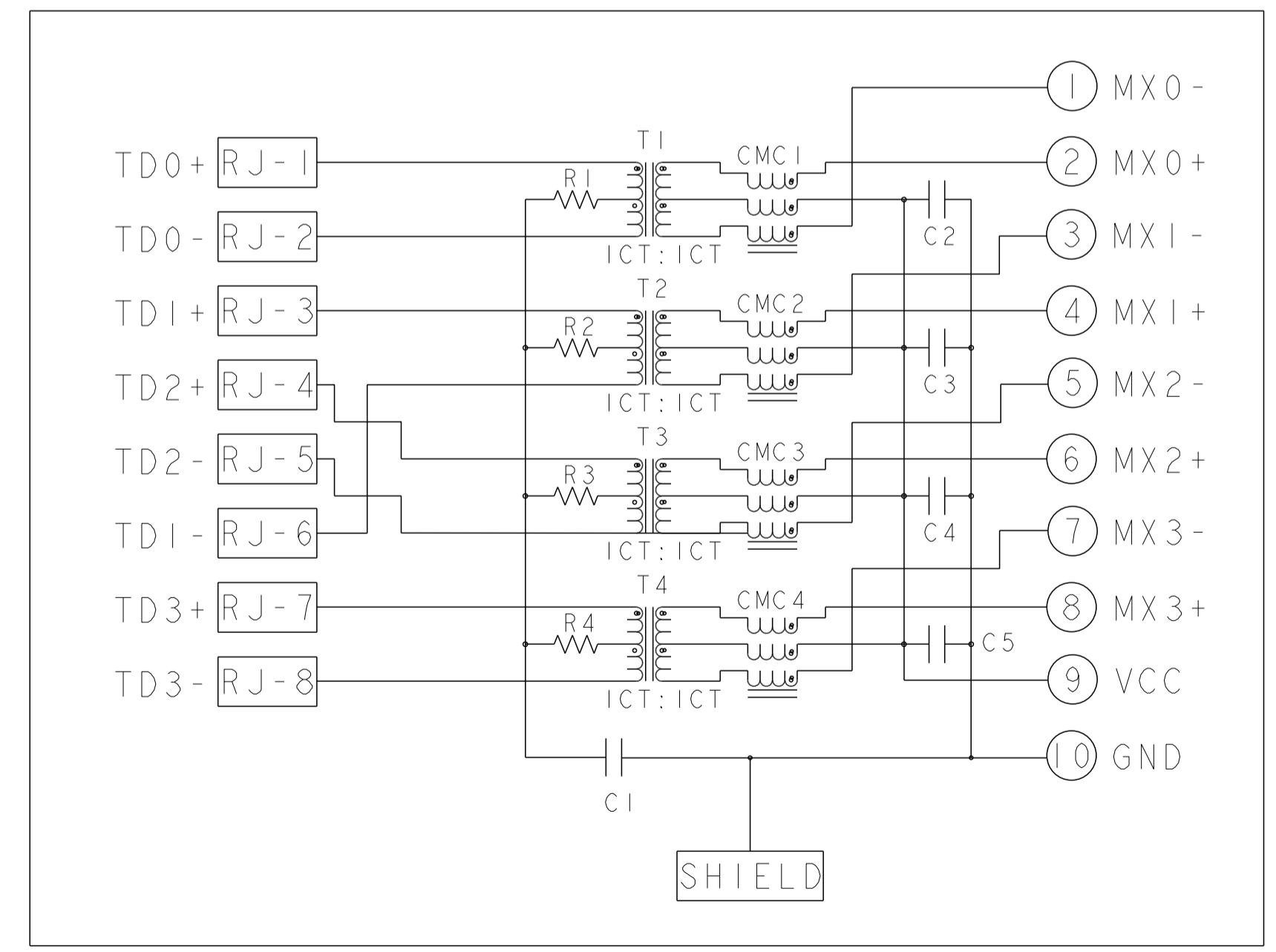
REVISIONS					
P	LTN	DESCRIPTION	DATE	DWN	APVD
E		EC-1812005 COMPANY LOGO CHANGE	28062014	QC	TY



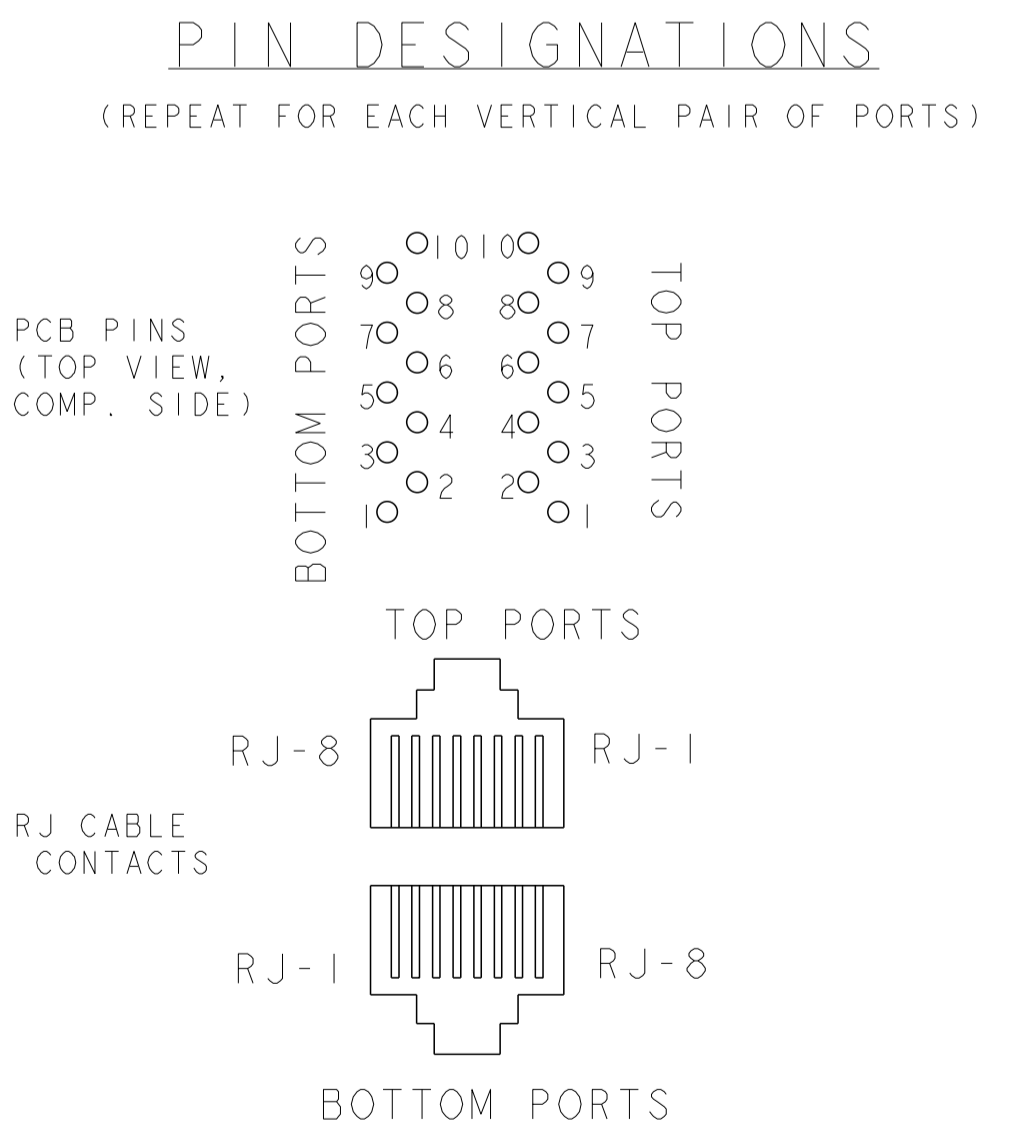
- △ MATERIALS:
 - HOUSING: THERMOPLASTIC, BLACK, FLAMMABILITY RATING UL 94V-0.
 - SHIELD: BRASS, PREPLATED WITH 0.76um MIN SEMI-BRIGHT NICKEL, POST DIPPED WITH 2.54um MIN SAC SOLDER ON SOLDER TAILS.
 - CONTACTS: PHOSPHOR BRONZE, PLATED WITH 1.27um MIN OVERALL NICKEL UNDERPLATE, SELECTIVE 1.27um MIN GOLD AT MATING INTERFACE AND 2.54um MIN MATTE TIN ON SOLDER TAILS.
 - LED: DIFFUSED EPOXY LENS, CARBON STEEL LEAD FRAME LEADS, PREPLATED WITH 2.03um MIN SILVER OVER 1.02um MIN NICKEL OVER 1.02um MIN COPPER UNDERPLATE, POST PLATED WITH 2.54um MIN MATTE TIN AND/OR 2.54um MIN SAC SOLDER DIP OR PURE TIN SOLDER DIP.
- △ MAGNETICS:
 - APPLICATION: 10/100/1000 BASE-T
 - IMPEDANCE: 100 ohm
 - TURNS RATIO (CHIP:CABLE): 1:1 ALL FOUR PAIRS
 - OPEN CIRCUIT INDUCTANCE (OCL): 350uH MIN @100kHz, 0.1VRMS, 8mA DC BIAS FROM 0°C TO 70°C, ALL FOUR PAIRS
 - RISE TIME(10%-90%): 2.5ns TYPICAL;
 - ALL FOUR PAIRS BI-DIRECTIONAL
 - PERFORMANCE @25°C:
 - INSERTION LOSS (IL): 1.1dB MAX FROM 0.5MHz TO 100MHz
 - RETURN LOSS (RL): 18dB MIN FROM 0.5MHz TO 40MHz
 - 12-20LOG(f/80)dB MIN FROM 40.1MHz TO 100MHz
 - CROSSTALK ATTENUATION: 35dB MIN FROM 0.5MHz TO 40MHz
 - 33-20LOG(f/50)dB MIN FROM 40.1MHz TO 100MHz
 - COMMON MODE REJECTION RATIO (CMRR): 30dB MIN FROM 0.5MHz TO 100MHz
 - ISOLATION VOLTAGE: 2250VDC (MAX) FOR 60 SECONDS WITH A RISE TIME OF 500V/SEC AND WITH ALL PORTS CONNECTED.

S8G16 GIGABIT CIRCUIT

TOP AND BOTTOM PORTS △△



C1 = 1000pF, 3kV
 C2 - C5 = 470pF, 10%, 50V
 R1-R4 = 75 OHMS, 1/16W



- △ PART NUMBER, DATE CODE AND COUNTRY OF ORIGIN ARE LOCATED IN THE APPROXIMATE AREA SHOWN. DATE CODE: YYWW "YY" IS YEAR, "WW" IS WORK WEEK, "D" IS DAY OF WEEK, WITH SUNDAY=1
- △ TRP CONNECTOR LOGO AND AGENCY APPROVAL LOGO ARE LOCATED IN THE APPROXIMATE AREA SHOWN.
- △ RJ45 CAVITIES CONFORM TO FCC RULES AND REGULATIONS PART 68 SUBPART F.
- △ LED ARE DRIVEN WITH CONSTANT CURRENT AT APPROX. 20mA
 DOMINANT WAVELENGTH (λD)
 GREEN, 568nm TYP at IF=20mA
 YELLOW, 588nm TYP at IF=20mA
 FORWARD VOLTAGE (VF):
 GREEN, 2.2V TYP at IF=20mA
 YELLOW, 2.1V TYP at IF=20mA
- △ INDICATED MAGNETIC CONNECTIONS ARE SYMMETRICAL AND SUPPORT AUTO-MDI/MDIX.
- 8 OPERATING TEMPERATURE: FROM 0°C TO 70°C
- 9 THE PARTS ARE RECOMMENDED FOR WAVE SOLDERING PROCESS, PEAK TEMPERATURE 260°C MAX, 10 SECONDS MAX. IT IS RECOMMENDED THAT THE CONNECTOR SHIELD AND BODY BE MASKED TO PROTECT IT FROM DIRECT EXPOSURE TO THE SOLDER WAVE TO AVOID DAMAGE TO THE CONNECTOR AND LED.

2.54	GREEN/YELLOW	GREEN/YELLOW	GREEN/YELLOW	GREEN/YELLOW	7	1-1840377-4	
3.30	GREEN/YELLOW	GREEN/YELLOW	GREEN/YELLOW	GREEN/YELLOW	7	1840377-4	
DIM A	BOTTOM LED 2 (LEFT)	BOTTOM LED 1 (RIGHT)	TOP LED 2 (LEFT)	TOP LED 1 (RIGHT)	REAR PCB GND TABS	PART NUMBER	
THIS DRAWING IS A CONTROLLED DOCUMENT.						DWN: RICHARD QIAN 14NOV2009 CHK: FRANK LIU 14NOV2009 APVD: LIJUN RAO 14NOV2009 MODEL NAME: MAGJACK DESC: 2X8 S8G16 GIGABIT OFFSET W/ LED	
DIMENSIONS: mm		TOLERANCES UNLESS OTHERWISE SPECIFIED:				DONGGUAN CHINA trp CONNECTOR a bel group	
0 PLC ±0.25 1 PLC ±0.25 2 PLC ±0.25 3 PLC ±0.25 4 PLC ± ANGLES ±		PRODUCT SPEC: 108-104004 APPLICATION SPEC:				SIZE: A1 CAGE CODE: 1840377 DRAWING NO: 1840377 RESTRICTED TO:	
CUSTOMER DRAWING						SCALE: 4:1	SHEET 1 OF 4 REV F

8

7

6

5

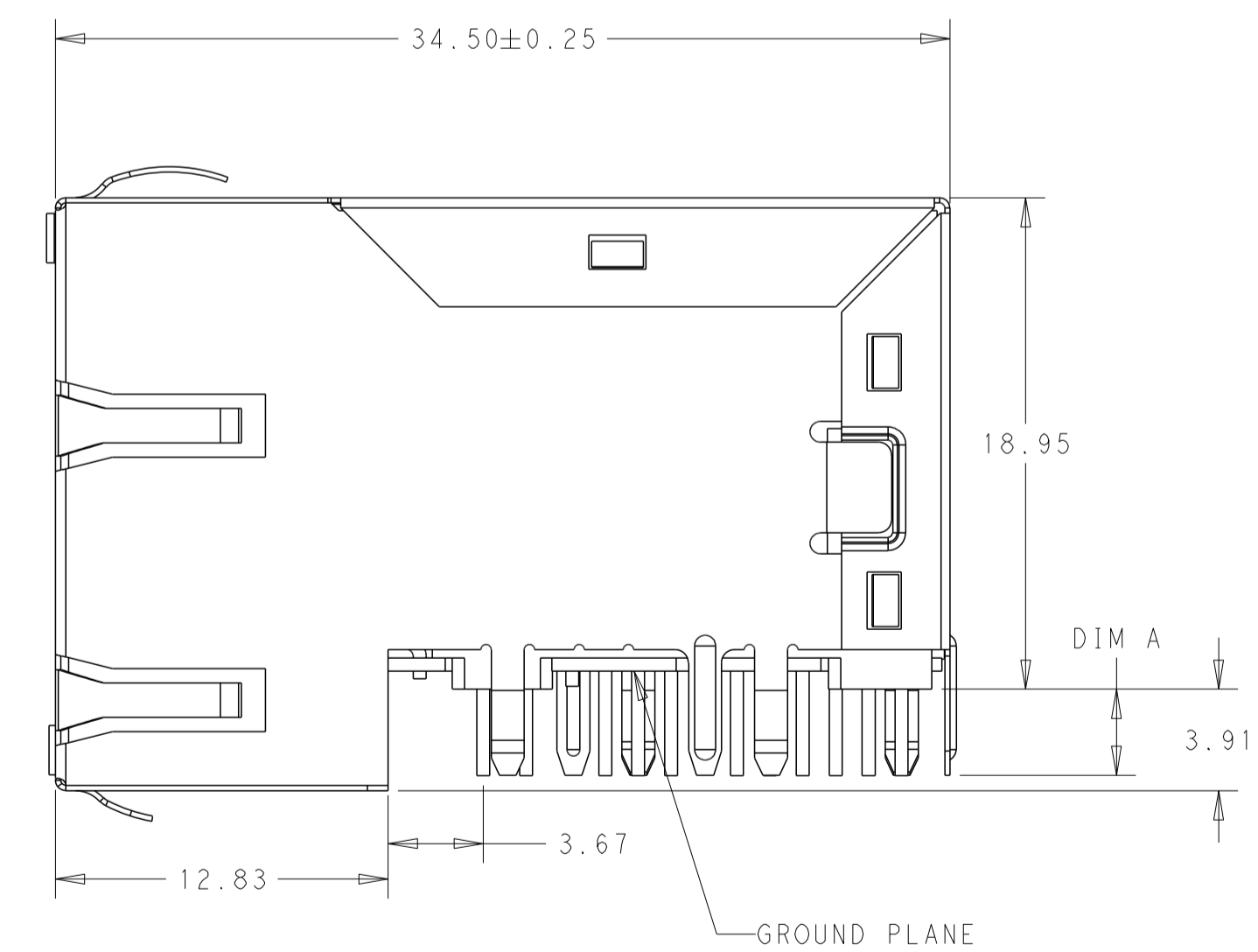
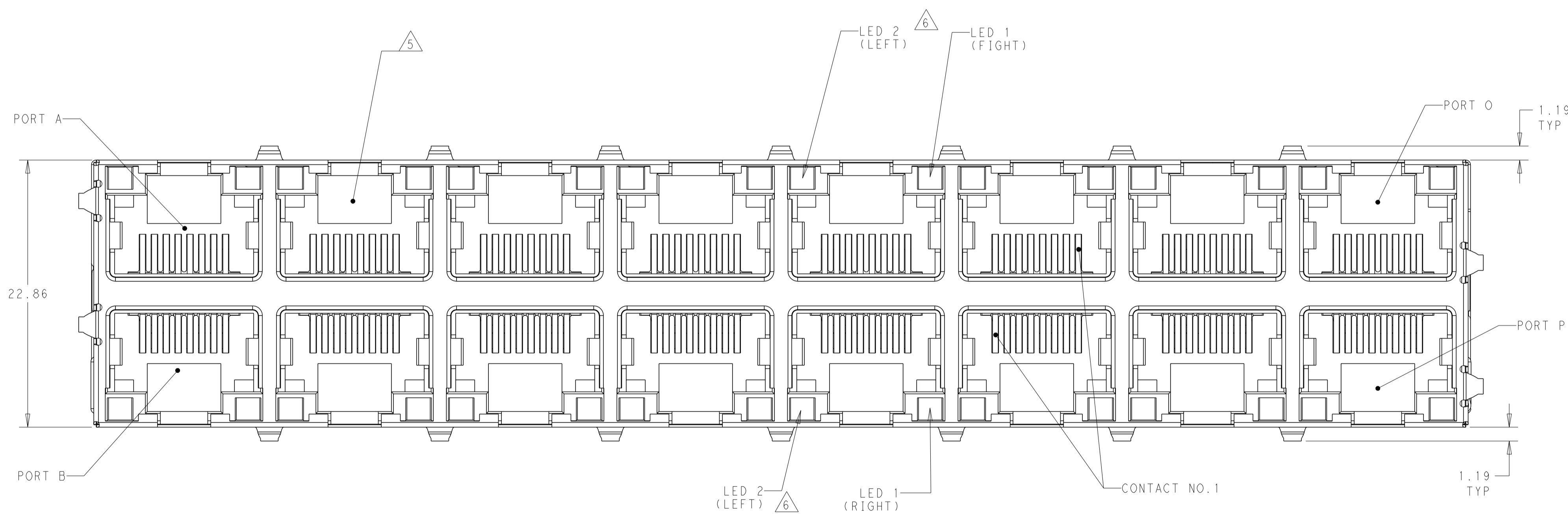
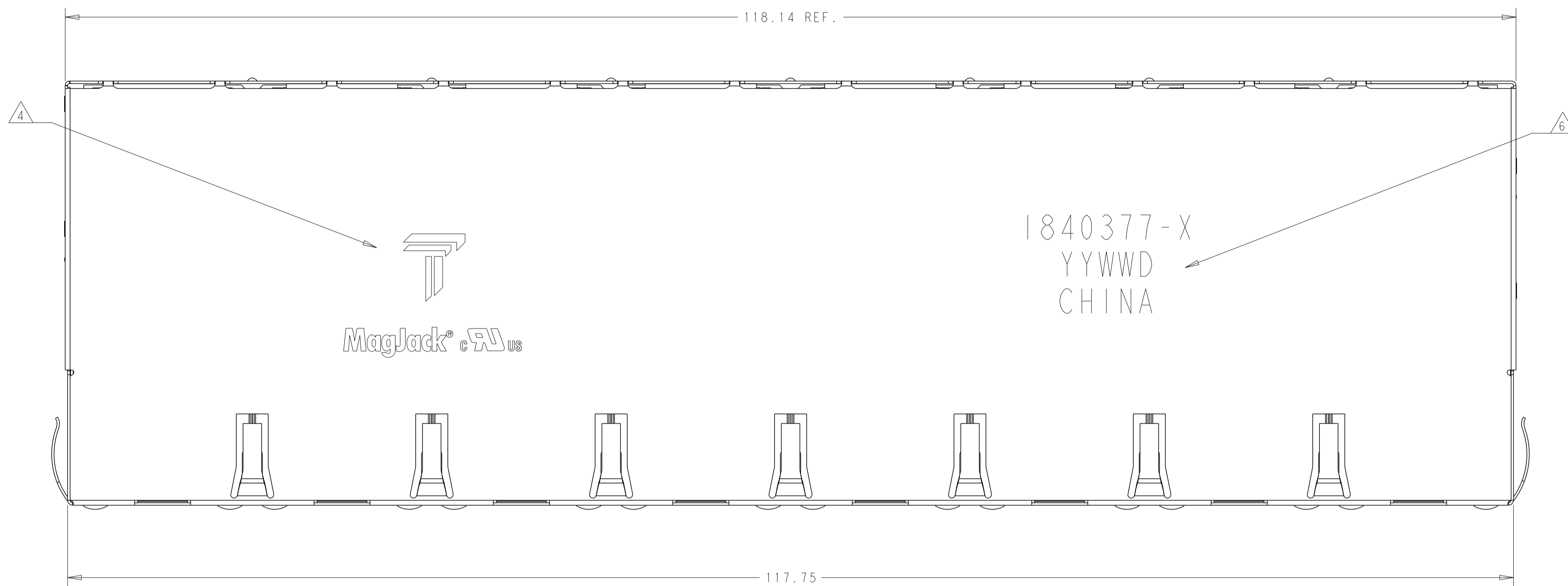
4


3

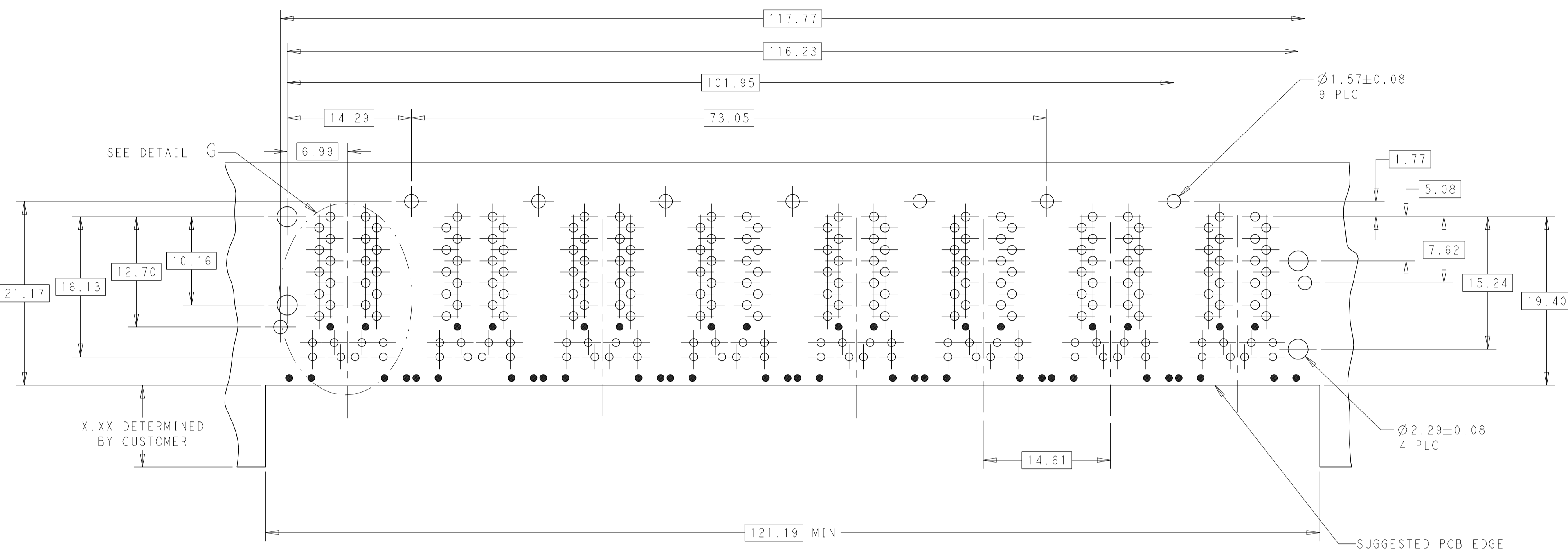
2

1

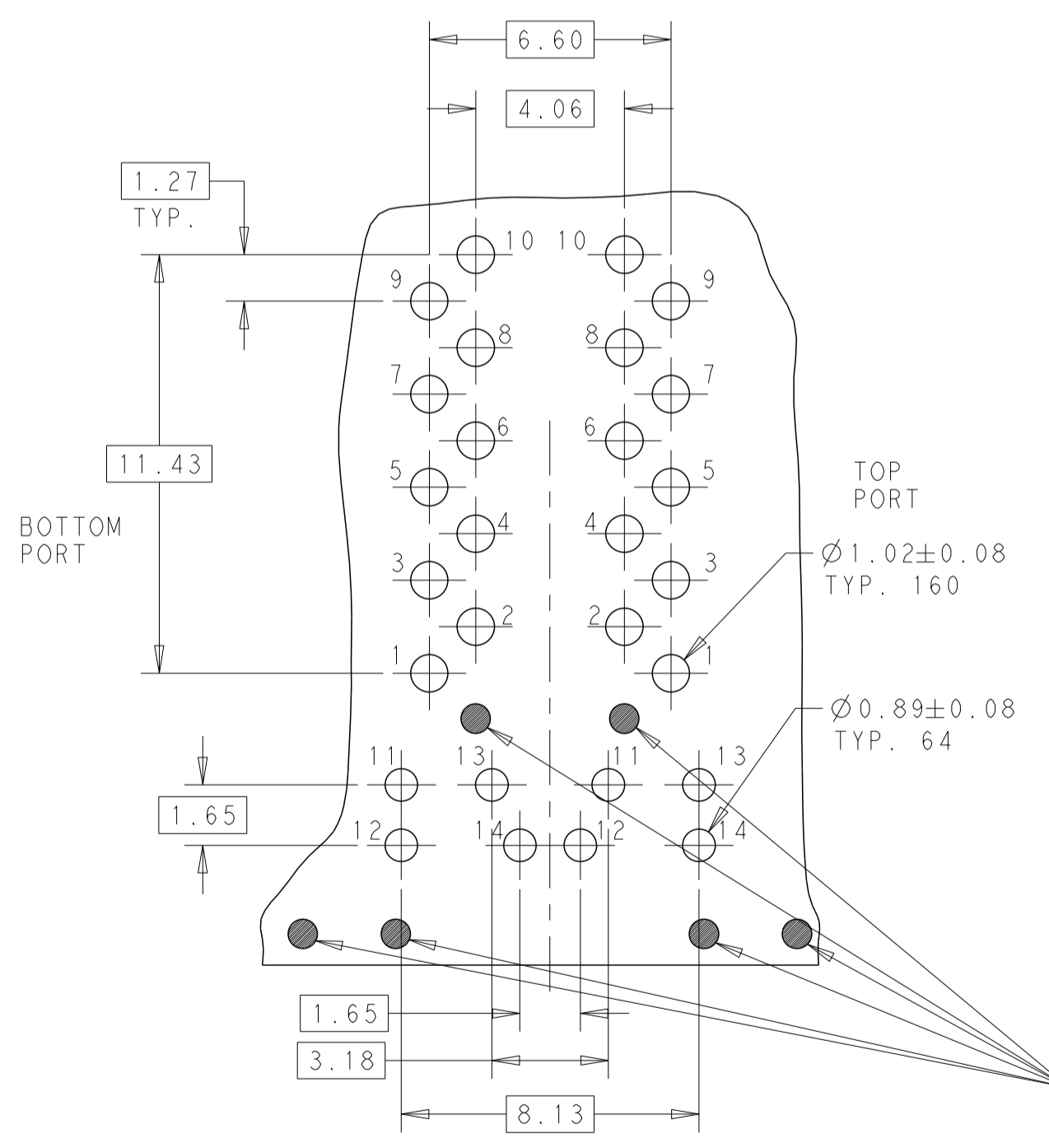
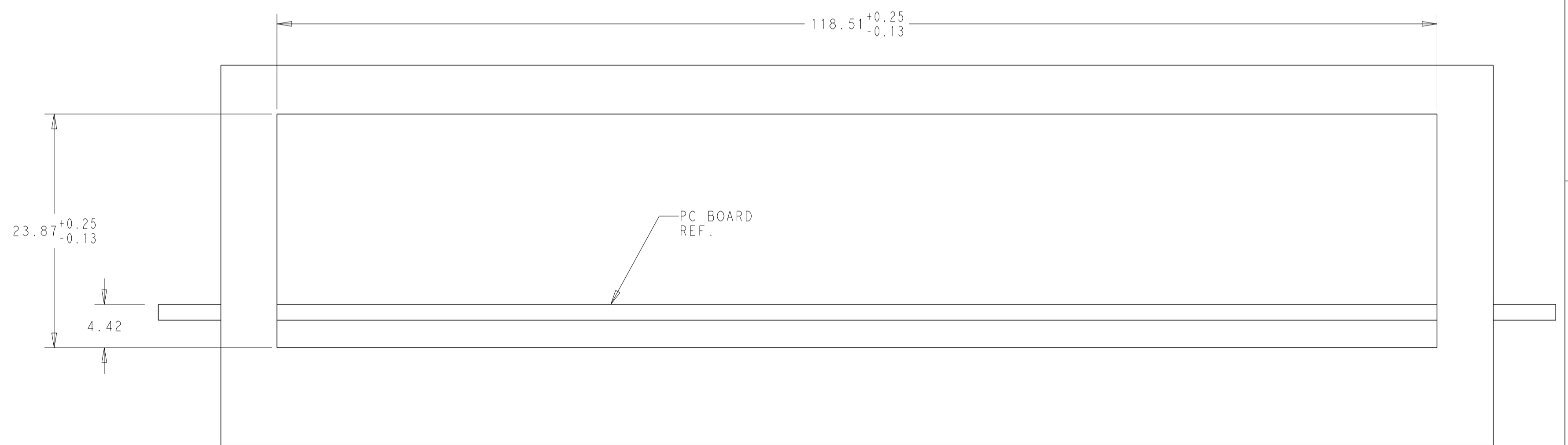
© COPYRIGHT TRP connector ALL RIGHTS RESERVED



THIS DRAWING IS A CONTROLLED DOCUMENT.		DRW: RICHARD QIAN 14NOV2009	 trp CONNECTOR a bel group DONGGUAN CHINA
DIMENSIONS: mm		CHK: FRANK LIU 14NOV2009	
TOLERANCES UNLESS OTHERWISE SPECIFIED:		APVD: LIJUN RAO 14NOV2009	
0 PLC ±0.25 1 PLC ±0.25 2 PLC ±0.25 3 PLC ± 4 PLC ± ANGLES ± APPLICATION SPEC ±	MODEL NAME MAGJACK STACK Non-PoE	DESC 2X8 S8G16 GIGABIT OFFSET W/ LED	SIZE A1
PRODUCT SPEC 108-104004	CUSTOMER DRAWING	SCALE 4:1	SHEET 2 OF 4 REV F

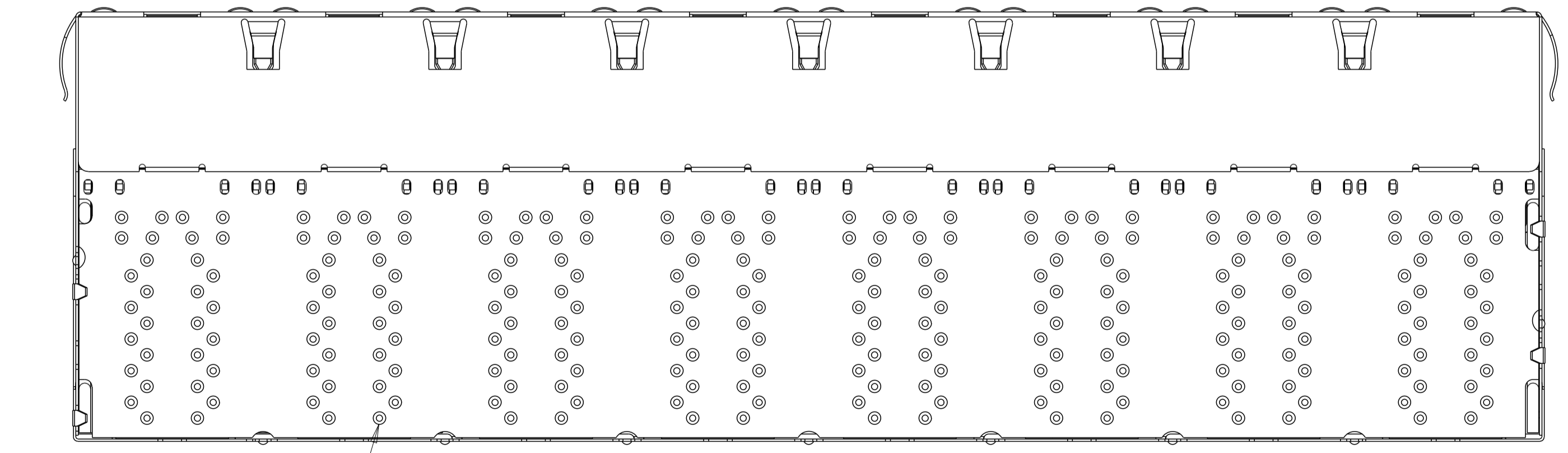
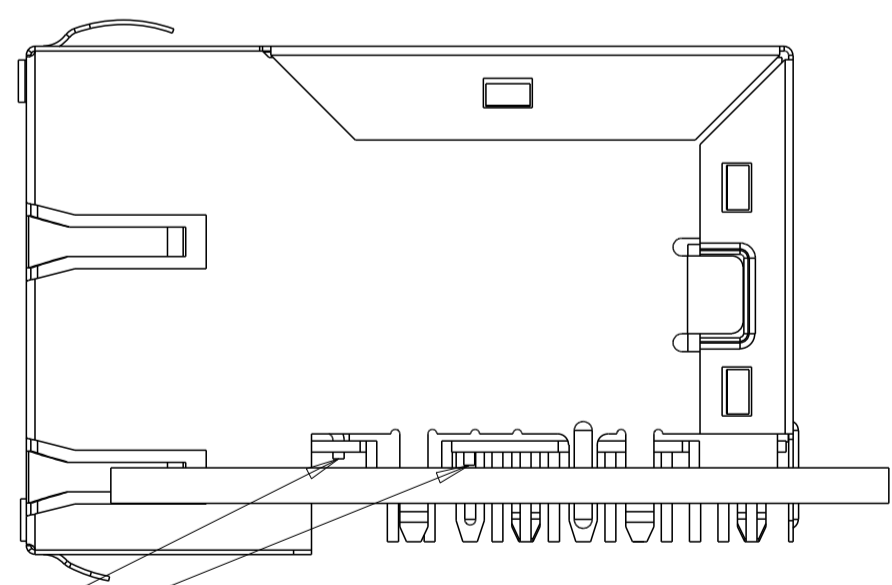


RECOMMENDED PC BOARD LAYOUT VIEW FROM COMPONENT SIDE



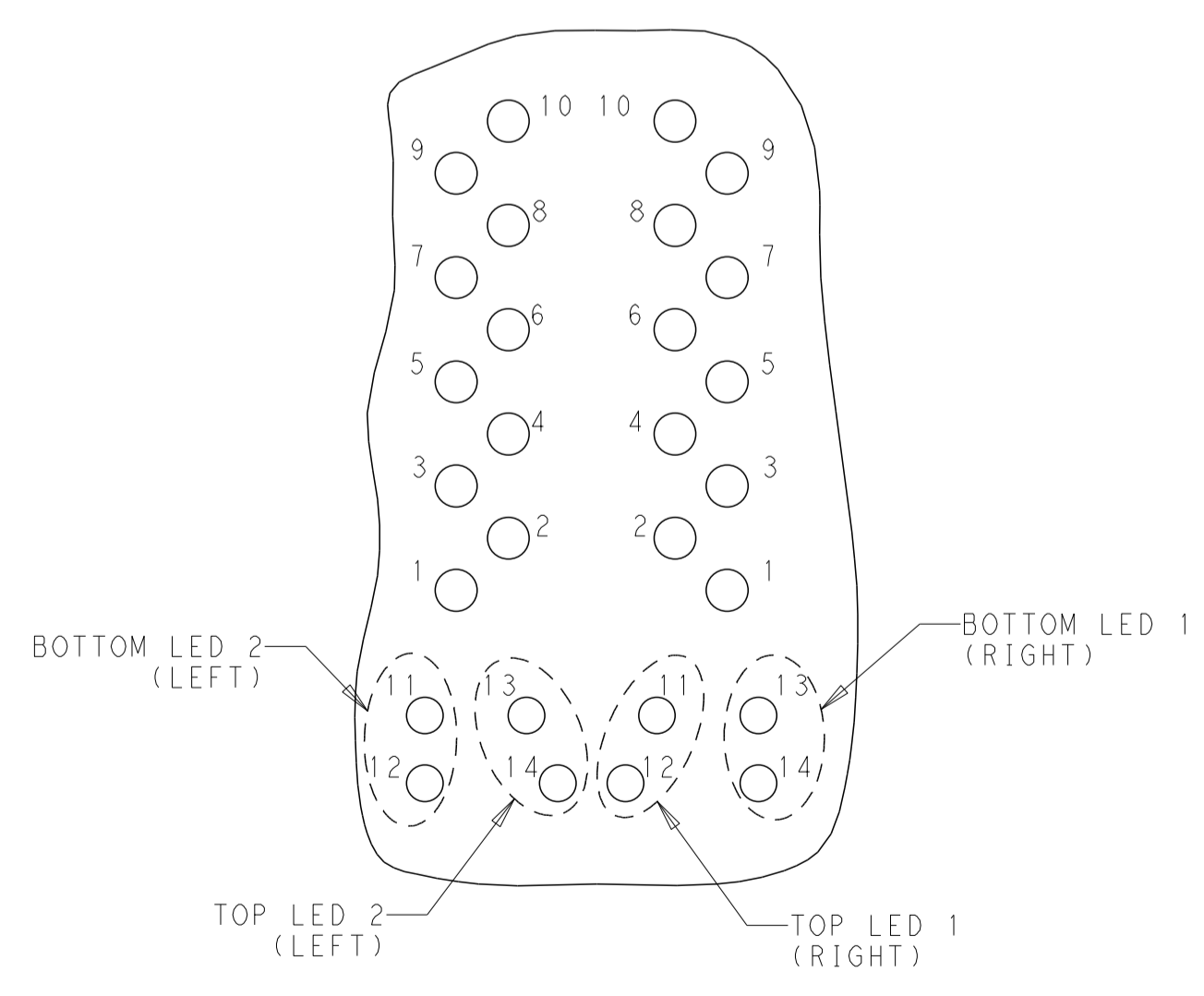
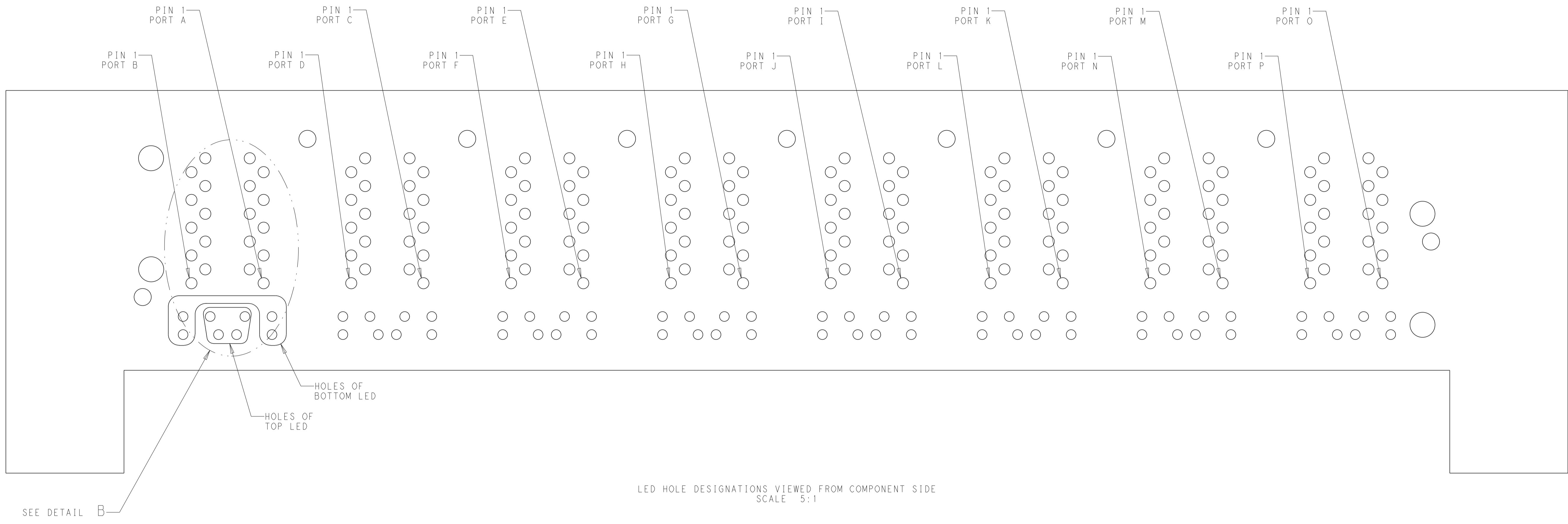
DETAIL G SCALE 6:1

PIN #0, BOTTOM LED'S PIN ON MOD JACK AND BOTTOM PCB ARE STUB PINS WITH LENGTH SIMILAR TO PCB STANDOFF HEIGHT PRECAUTIONS SHOULD BE TAKEN IN PCB DESIGN TO GUARD AGAINST SHORTING TRACES TO STUB PINS



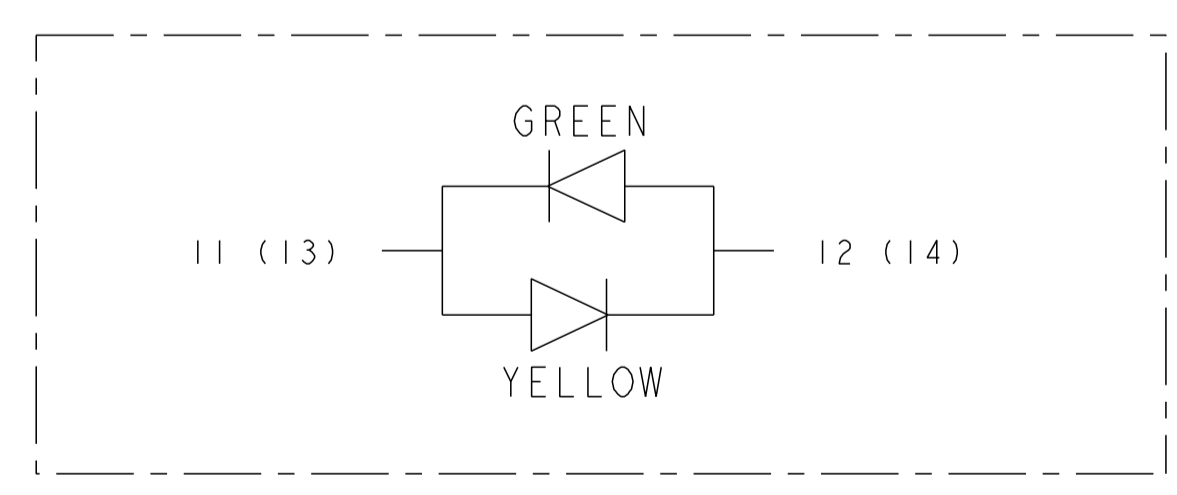
ALL THE SIGNAL PINS MUST BE SOLDERED WITH BOTTOM PCB

THIS DRAWING IS A CONTROLLED DOCUMENT.		DRW: RICHARD QIAN 14NOV2009	trp CONNECTOR a bel group DONGGUAN CHINA
DIMENSIONS: mm		CHK: FRANK LIU 14NOV2009	
TOLERANCES UNLESS OTHERWISE SPECIFIED:		APVD: LIJUN BAO 14NOV2009	
	0 PLC ±0.25 1 PLC ±0.25 2 PLC ±0.25 3 PLC ±0.25 4 PLC ± ANGLES ± APPLICATION SPEC ±	MODEL NAME: MAGJACK	DESC: 2X8 S8G16 GIGABIT OFFSET W/ LED
PRODUCT SPEC: 108-104004		SIZE: A1	CAGE CODE: 1840377
CUSTOMER DRAWING		SCALE: 4:1	SHEET 3 OF 4 REV F



DETAIL B
SCALE 6:1

BI COLOR LED



THIS DRAWING IS A CONTROLLED DOCUMENT.		DRW: RICHARD QIAN 14NOV2009	trp CONNECTOR a bel group DONGGUAN CHINA
DIMENSIONS: mm		CHK: FRANK LIU 14NOV2009	
		APVD: LIJUN RAO 14NOV2009	
TOLERANCES UNLESS OTHERWISE SPECIFIED:		MODEL NAME	DESC
0 PLC	±0.25	MAGJACK	2X8 S8G16 GIGABIT OFFSET W/ LED
1 PLC	±0.25	STACK Non-PoE	SIZE
2 PLC	±0.25		CAGE CODE
3 PLC	±		DRAWING NO
4 PLC	±		SCALE
ANGLES	±		1840377
PRODUCT SPEC			RESTRICTED TO
108-104004			-
APPLICATION SPEC			CUSTOMER DRAWING
			SCALE 4:1 SHEET 4 OF 4 REV F