



Chipsmall Limited consists of a professional team with an average of over 10 year of expertise in the distribution of electronic components. Based in Hongkong, we have already established firm and mutual-benefit business relationships with customers from,Europe,America and south Asia,supplying obsolete and hard-to-find components to meet their specific needs.

With the principle of “Quality Parts,Customers Priority,Honest Operation,and Considerate Service”,our business mainly focus on the distribution of electronic components. Line cards we deal with include Microchip,ALPS,ROHM,Xilinx,Pulse,ON,Everlight and Freescale. Main products comprise IC,Modules,Potentiometer,IC Socket,Relay,Connector.Our parts cover such applications as commercial,industrial, and automotives areas.

We are looking forward to setting up business relationship with you and hope to provide you with the best service and solution. Let us make a better world for our industry!



Contact us

Tel: +86-755-8981 8866 Fax: +86-755-8427 6832

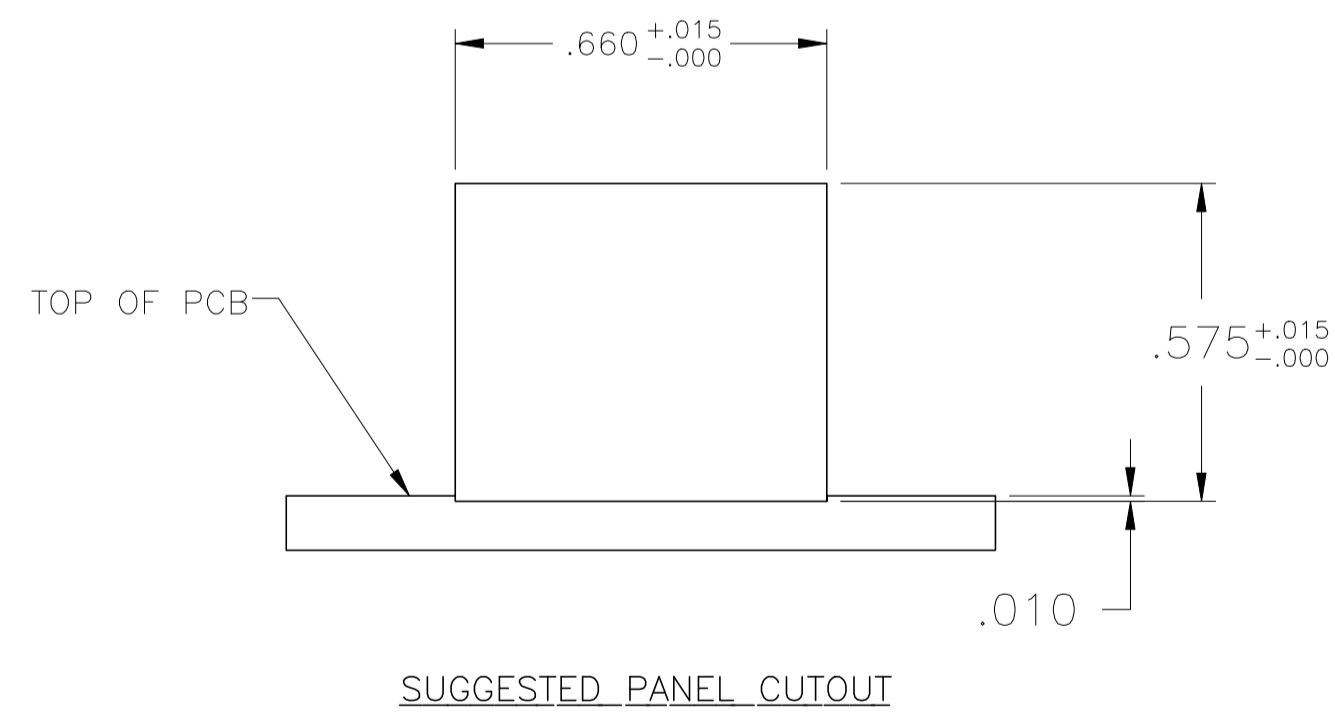
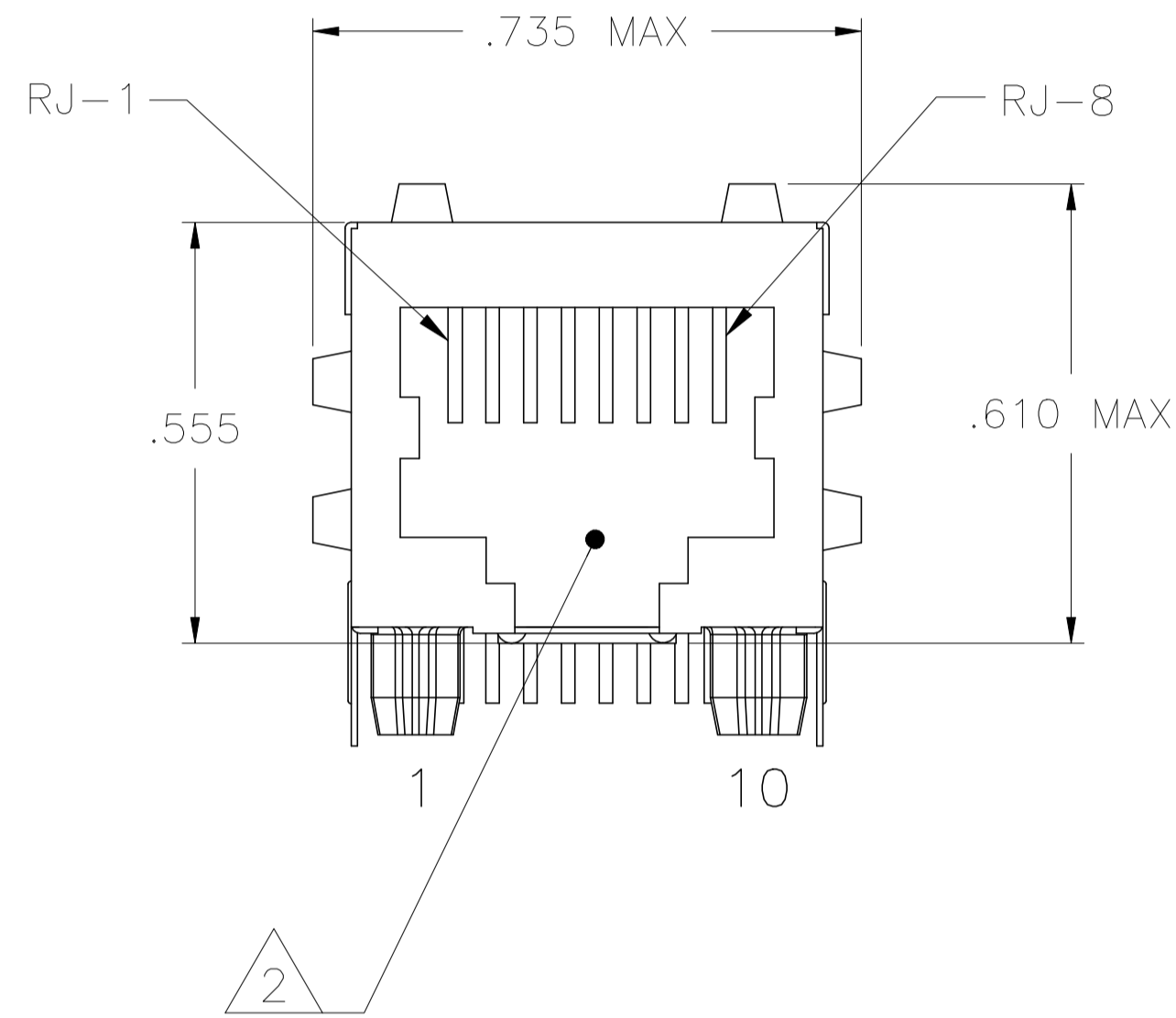
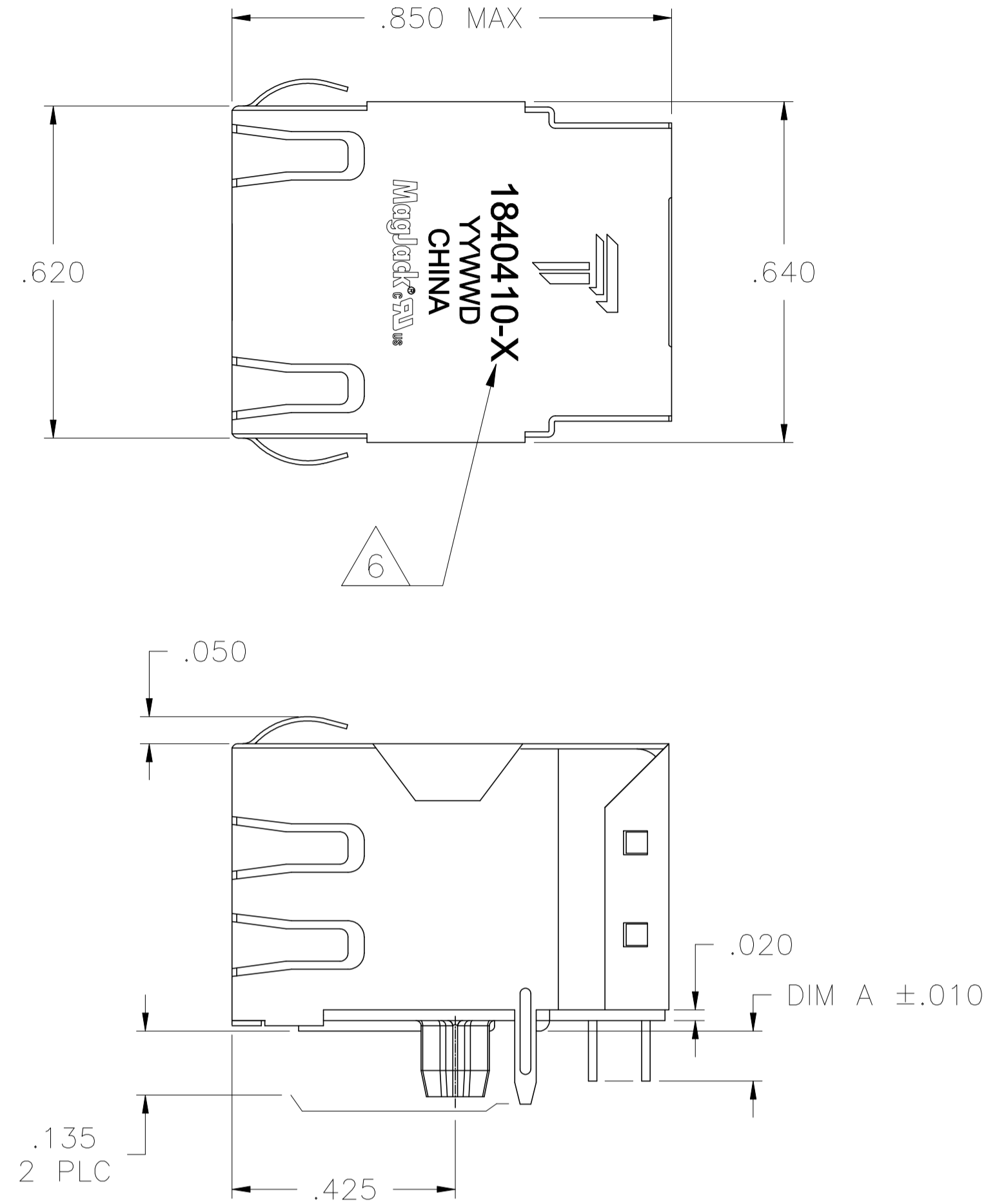
Email & Skype: info@chipsmall.com Web: www.chipsmall.com

Address: A1208, Overseas Decoration Building, #122 Zhenhua RD., Futian, Shenzhen, China



REVISIONS					
P	REV	DESCRIPTION	DATE	DWN	APVD
H		EC-1411035 COMPANY LOGO CHANGE	13JAN2015	TL	KZ

MECHANICAL:

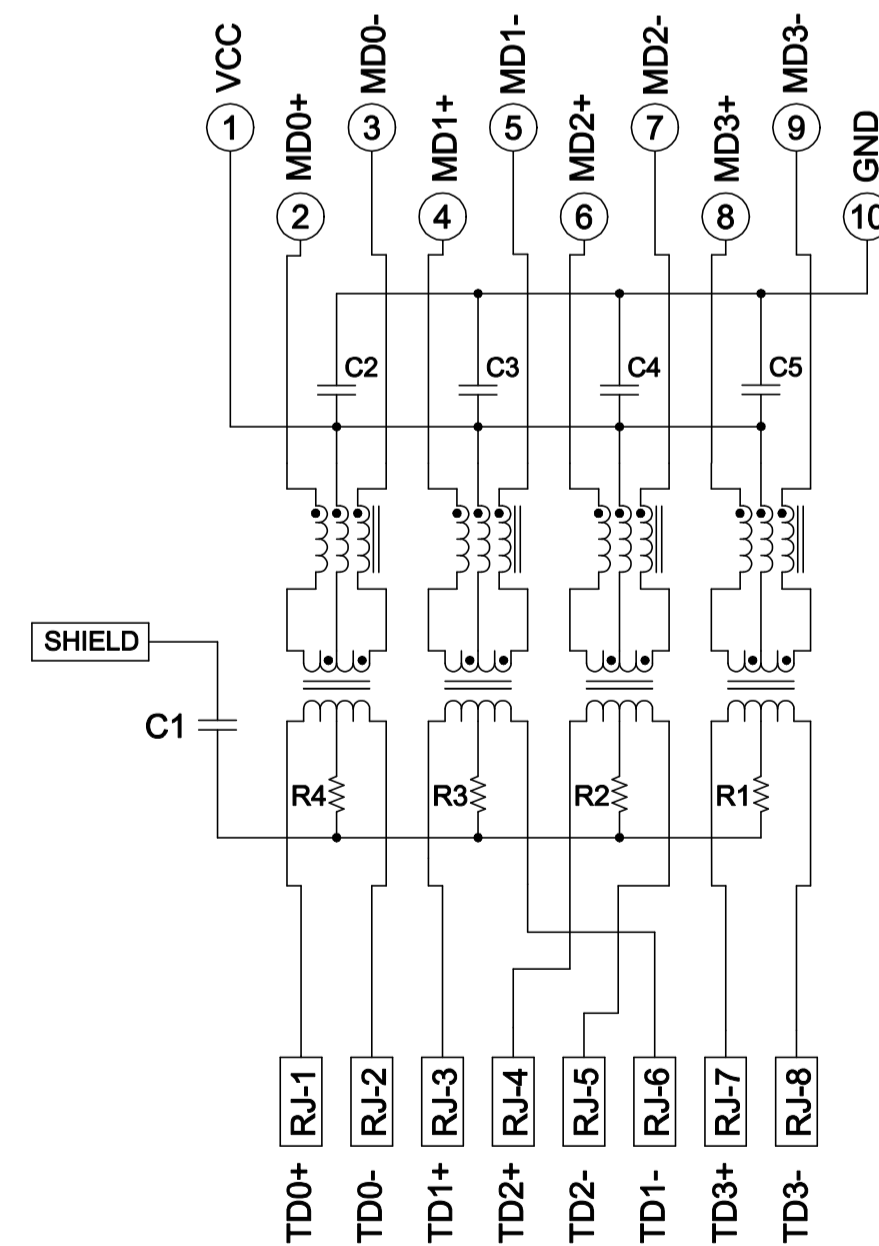


NOTES:

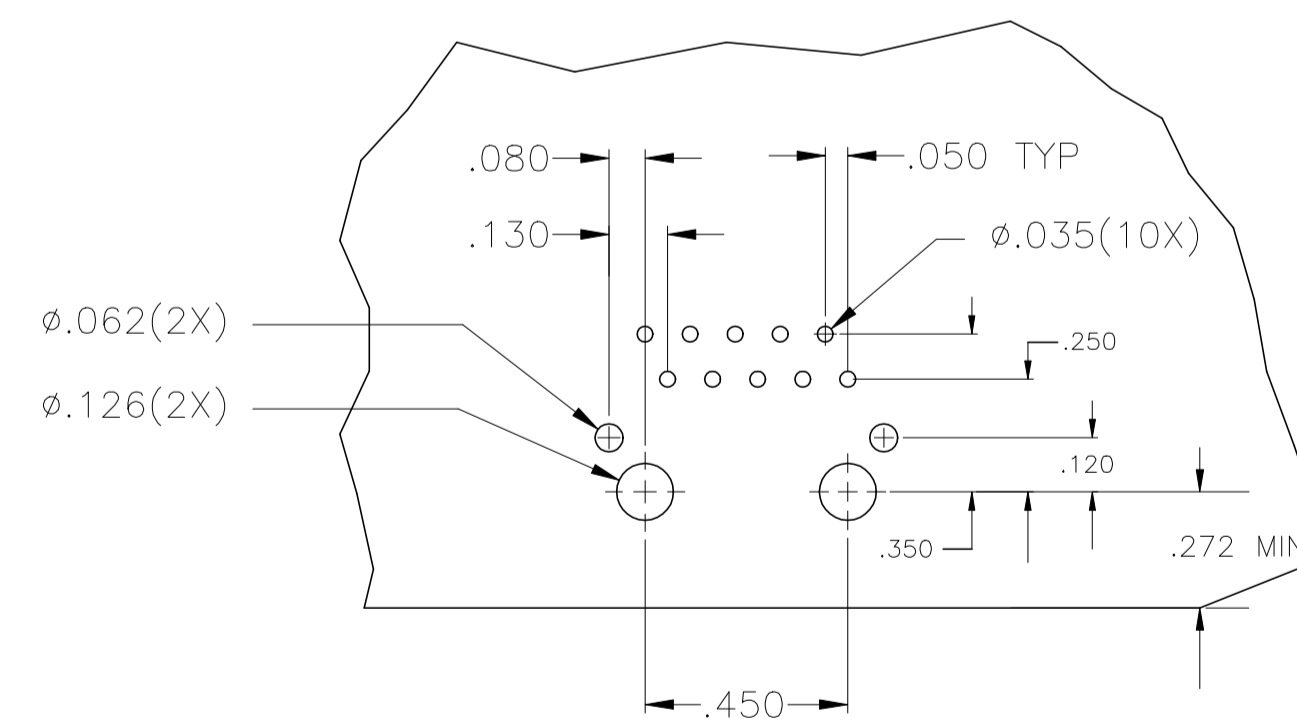
- 1 MATERIALS
 - HOUSING: THERMOPLASTIC, FLAMMABILITY RATING UL 94V-0.
 - SHIELD: BRASS C26800 0.008 INCH THICK, PREPLATED WITH 30μINCH MIN SEMI-BRIGHT NICKEL. SOLDER TABS POST DIPPED WITH 100μINCH MIN SAC SOLDER.
 - CONTACTS: PHOSPHOR BRONZE 0.0157 X 0.018", 50μINCH MIN OVERALL NICKEL UNDERPLATE, WITH SELECTIVE 50μINCH MIN HARD GOLD FINISH PLATE.
 - SOLDER TAILS: 100μINCH MIN MATTE TIN AND/OR SAC SOLDER DIP.
- 2 RJ45 JACK CAVITY CONFORMS TO FCC RULES AND REGULATIONS PART 68 SUB PART F.
- 3 MAGNETICS
 - APPLICATION: 10/100/1000 BASE-T, EXTENDED TEMPERATURE
 - IMPEDANCE: 100 OHMS
 - TURNS RATIO (CHIP:CABLE): 1:1 ALL FOUR PAIRS
 - OPEN CIRCUIT INDUCTANCE (OCL): 350μH MIN. @100kHz, 0.1VRMS, 8mADC BIAS FROM -40°C TO +85°C, ALL FOUR PAIRS
 - ALL FOUR PAIRS BI-DIRECTIONAL
 - PERFORMANCE @ 25°C:
 - INSERTION LOSS (IL): 1.1dB MAX. FROM 0.5MHz TO 100MHz
 - RETURN LOSS (RL): 18dB MIN FROM 0.5MHz TO 40MHz
 - 12-20LOG(f/80)dB MIN. FROM 40.1MHz TO 100MHz
 - CROSSTALK ATTENUATION: 35dB MIN. FROM 0.5MHz TO 40MHz
 - 33-20LOG(f/50)dB MIN. FROM 40.1MHz TO 100MHz
 - COMMON MODE REJECTION RATIO (CMRR):30dB MIN. FROM 0.5MHz TO 100MHz
 - ISOLATION VOLTAGE:
 - 1840410-1, 1840410-2 COMPLY WITH IEEE802.3 2002, PARA 40.6.1.1, ITEM b.
 - 1840410-6 COMPLIES WITH IEEE802.3 2002, PARA 40.6.1.1, ITEM a and b.
- 4. OPERATING TEMPERATURE: FROM -40°C TO +85°C.
- 5 INDICATED MAGNETIC CONNECTIONS ARE SYMMETRICAL TO SUPPORT AUTO-MDI/MDIX.
- 6 TRP CONNECTOR LOGO, PART NUMBER, DATE CODE, COUNTRY OF ORIGIN AND AGENCY APPROVAL MARKING IN APPROXIMATE LOCATION SHOWN.
- 7. THESE PARTS ARE RECOMMENDED FOR WAVE SOLDERING PROCESS,PREHEAT TEMPERATURE IS 120°C TO 160°C, 120 SECONDS TO 180 SECONDS, PEAK WAVE SOLDERING TEMPERATURE IS 260°C MAX,10 SECONDS MAX.

ELECTRICAL:

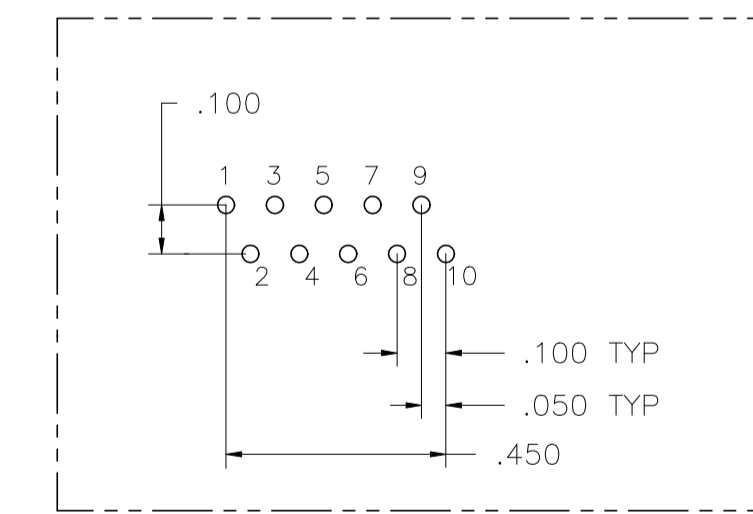
4G46ETP1 GIGABIT CIRCUIT



C1=1000pF, CAPACITOR
 R1-R4=75 OHMS, 1/16W RESISTORS
 C2-C5=0.1uF, 50V CAPACITOR



SUGGESTED PCB LAYOUT
 COMPONENT SIDE



PIN DESIGNATIONS

OBsolete	3 KV	0.090	1840410-6
	2 KV	0.145	1840410-2
	2 KV	0.090	1840410-1
	DECOUPLING CAPACITOR	DIM A	PART NUMBER

THIS DRAWING IS A CONTROLLED DOCUMENT.

DIMENSIONS: INCHES	TOLERANCES UNLESS OTHERWISE SPECIFIED:	0 PLC ± .-	1 PLC ± .-	2 PLC ± .010	3 PLC ± .005	4 PLC ± .-	ANGLES ± .-
--------------------	--	------------	------------	--------------	--------------	------------	-------------

PRODUCT SPEC: 108-2100

APPROVALS:

DWN: CLOUD ZENG	20JUN2006
CHK: MICHAEL ZHANG	20JUN2006
APVD: TEDDY XIONG	20JUN2006

MODEL NAME: MAGJACK

DESC: 1X1 4G46ETP1 GIGABIT TAB DOWN W/O LED

SIZE: A1

CAGE CODE: -

DRAWING NO: C=1840410

RESTRICTED TO: -

CUSTOMER DRAWING

SCALE: NTS

SHEET: 1 OF 1

REV: H

