



Chipsmall Limited consists of a professional team with an average of over 10 year of expertise in the distribution of electronic components. Based in Hongkong, we have already established firm and mutual-benefit business relationships with customers from,Europe,America and south Asia,supplying obsolete and hard-to-find components to meet their specific needs.

With the principle of "Quality Parts,Customers Priority,Honest Operation,and Considerate Service",our business mainly focus on the distribution of electronic components. Line cards we deal with include Microchip,ALPS,ROHM,Xilinx,Pulse,ON,Everlight and Freescale. Main products comprise IC,Modules,Potentiometer,IC Socket,Relay,Connector.Our parts cover such applications as commercial,industrial, and automotives areas.

We are looking forward to setting up business relationship with you and hope to provide you with the best service and solution. Let us make a better world for our industry!



Contact us

Tel: +86-755-8981 8866 Fax: +86-755-8427 6832

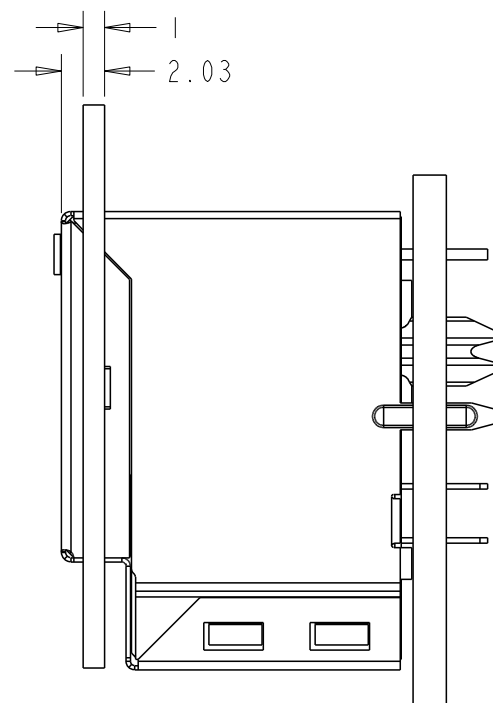
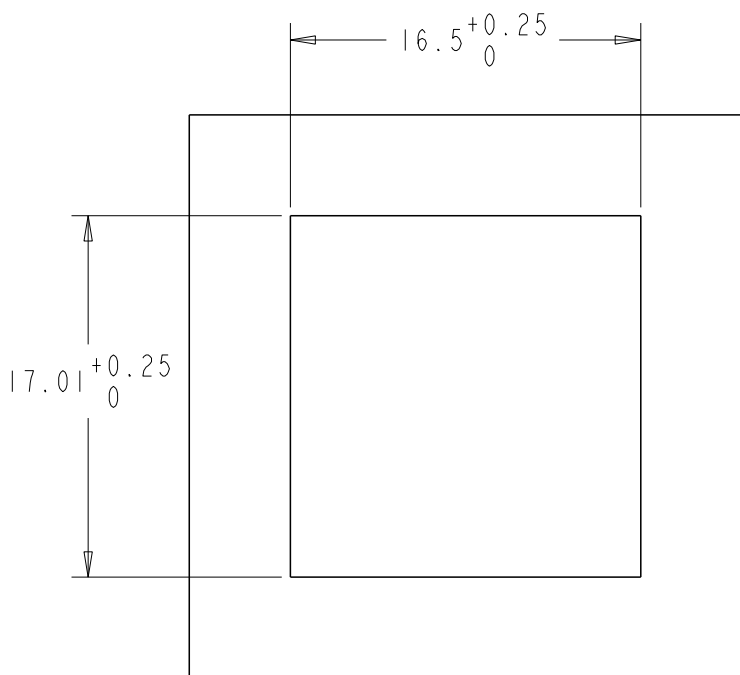
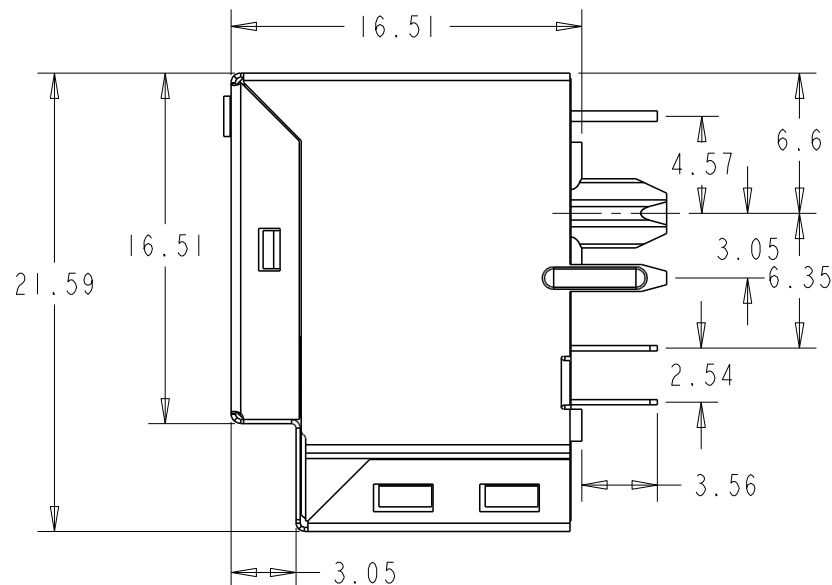
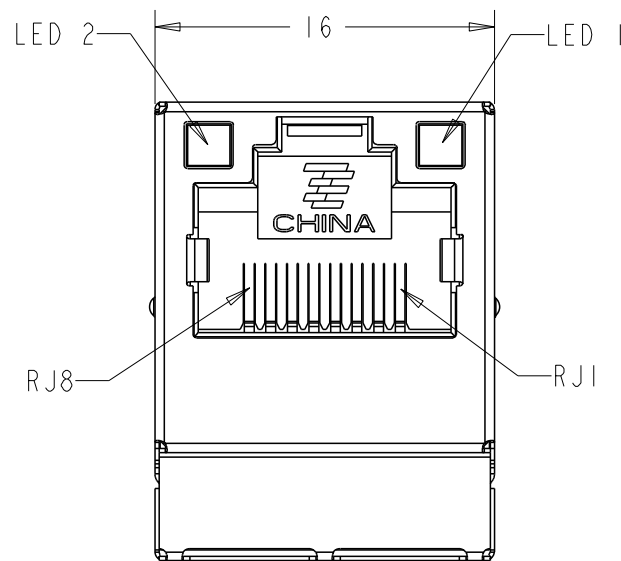
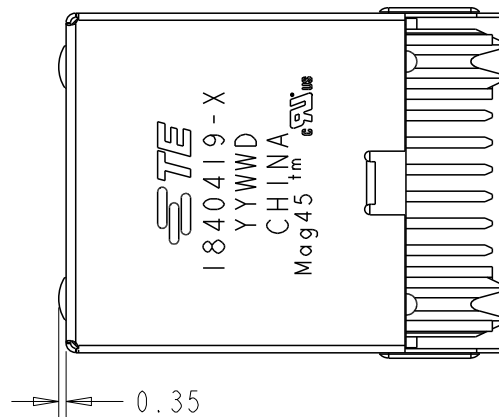
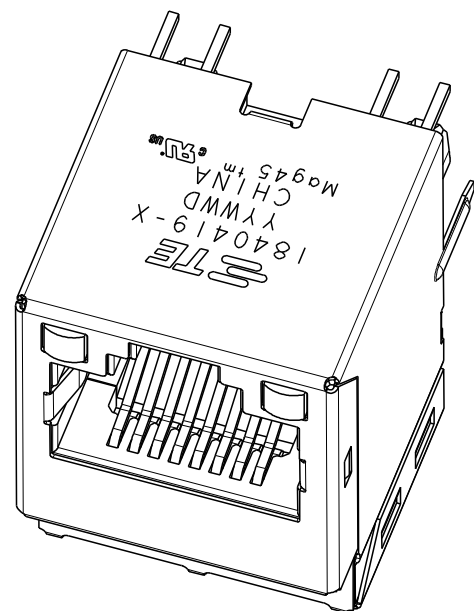
Email & Skype: info@chipsmall.com Web: www.chipsmall.com

Address: A1208, Overseas Decoration Building, #122 Zhenhua RD., Futian, Shenzhen, China



THIS DRAWING IS UNPUBLISHED. RELEASED FOR PUBLICATION 20
 © COPYRIGHT 20 BY - ALL RIGHTS RESERVED.

LOC	DIST	REVISIONS					
AA	00	P	LTR	DESCRIPTION	DATE	DWN	APVD
		B		ECO-08-004426	22APR2008	TR	TX
		C		ECO-10-019861	30SEP2010	RZ	KZ
		D		REVISED PER ECO-11-025480	09APR2012	TY	KZ
		E		REVISED PER ECO-12-007988	26APR2012	TY	KZ



1. MATERIALS

HOUSING: THERMOPLASTIC, BLACK, FLAMMABILITY RATED UL 94V-0
 SHIELD: BRASS, 0.20mm THICK, PREPLATED WITH MIN 0.76um SEMI-BRIGHT NICKEL POST DIPPED WITH 2.54um MIN SAC SOLDER AT GROUND PINS.
 CONTACTS: PHOSPHOR BRONZE, PLATED WITH 1.27um MIN OVERALL NICKEL UNDERPLATE, SELECTIVE 1.27um MIN GOLD AT MATING INTERFACE AND 2.54um MIN MATTE TIN ON SOLDER TAILS. OR 1.27um MIN NICKEL UNDERPLATE, WITH 0.05um GOLD PLATING OVER 0.76um MIN PALLADIUM NICKEL PLATING AT MATING INTERFACE AND 2.54um MIN MATTE TIN ON SOLDER TAILS.
 SOLDER TAIL: PHOSPHOR BRONZE, WITH 1.27um MIN OVERALL NICKEL UNDERPLATE AND PLATED WITH 2.54um MIN TIN
 LED: DIFFUSED EPOXY LENS, 0.50mm SQUARE CARBON STEEL WIREFRAME LEADS PREPLATED WITH 2.03um MIN SILVER OVER 1.02um MIN NICKEL OVER 1.02um MIN COPPER UNDERPLATE POST PLATED WITH 2.54um MIN TIN

2. MAGNETICS

-APPLICATION: 10/100 BASE-T
 -IMPEDANCE: 100 OHMS
 -TURNS RATIO (CHIP:CABLE): TX = 1:1, RX = 1:1
 -OPEN CIRCUIT INDUCTANCE (OCL): 350uH MIN @100kHz, 0.1VRMS, 8mADC BIAS FROM 0°C TO 70°C, TX AND RX
 -PERFORMANCE @ 25°C:
 INSERTION LOSS (IL): 1.1dB MAX FROM 0.5MHz TO 100MHz
 RETURN LOSS (RL): 18dB MIN FROM 0.5MHz TO 30MHz
 18-20LOG(f/30)dB MIN FROM 30.1MHz TO 60MHz
 12dB MIN FROM 60.1MHz TO 80MHz
 CROSSTALK ATTENUATION: 35dB MIN FROM 0.5MHz TO 40MHz
 33-20LOG(f/50)dB MIN FROM 40.1MHz TO 100MHz
 COMMON MODE REJECTION RATIO (CMRR): 30dB MIN FROM 0.5MHz TO 100MHz
 -ISOLATION VOLTAGE: COMPLIES WITH IEEE802.3 2002, PARA 23.5.1.1, ITEM b.

3. THE MAGNETIC ARE SYMMETRICAL AND SUPPORT AUTO-MDIX OPERATION.

4. OPERATING TEMPERATURE: 0 - 70°C

5. LED IS DRIVEN WITH CONSTANT CURRENT AT APPROX 20mA.

DOMINANT WAVELENGTH(λ D)
 GREEN 568nm TYP.at IF=20mA
 YELLOW 588nm TYP.at IF=20mA

FORWARD VOLTAGE(VF):
 GREEN 2.2V TYP.at IF=20mA
 YELLOW 2.1V TYP.at IF=20mA

6. ALL DIMENSIONS TO BE NOMINAL UNLESS OTHERWISE NOTED

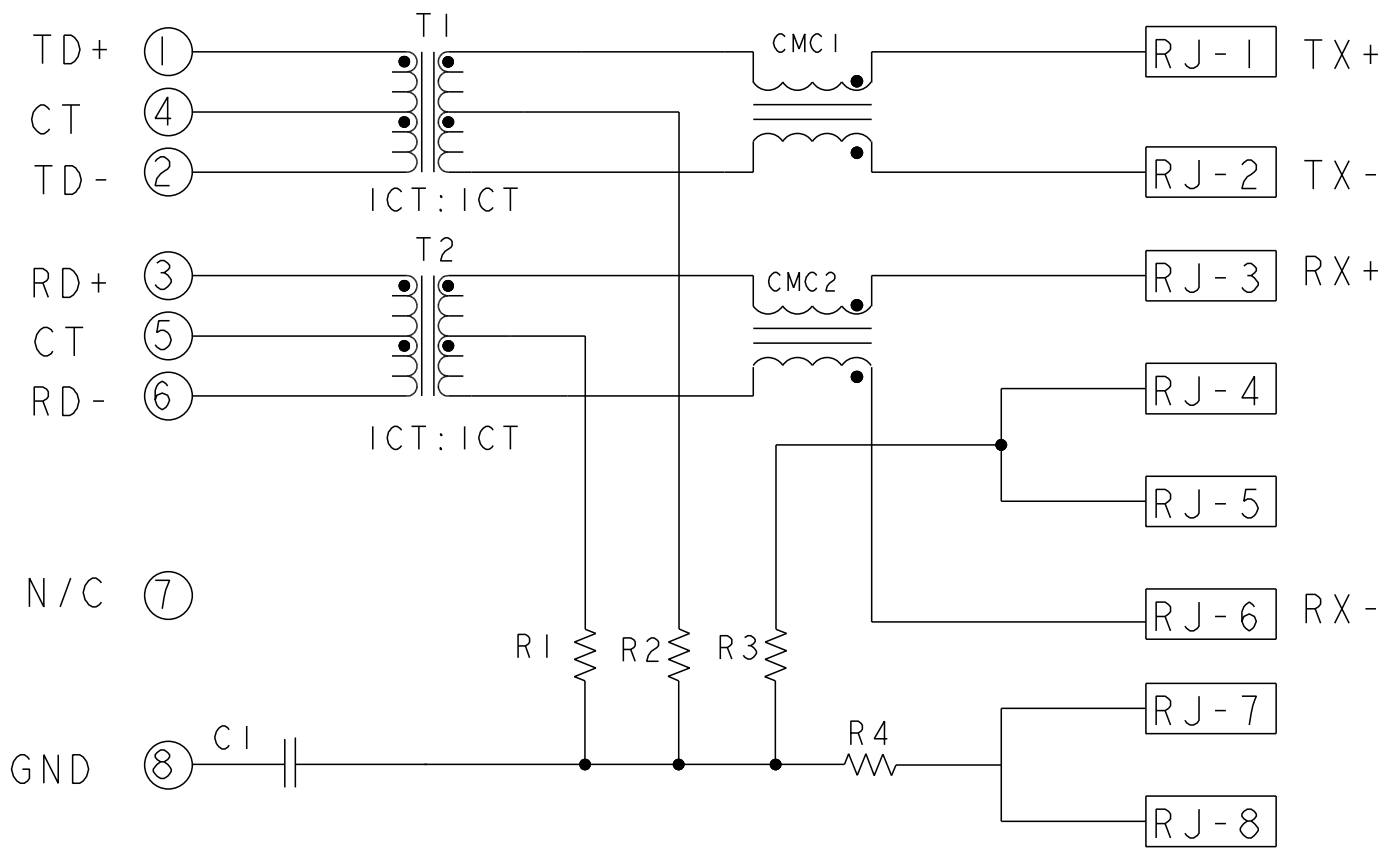
7. RJ45 CAVITY CONFORMS TO FCC RULES AND REGULATION PART 68 SUBPART F.

YES	YELLOW	GREEN	1-1840419-3
NO	GRN/YEL	GRN/YEL	1840419-4
NO	YELLOW	GREEN	1840419-3
NO	GREEN	YELLOW	1840419-2
NO	GREEN	GREEN	1840419-1
CUT OUT	LED 1	LED 2	PART NUMBER

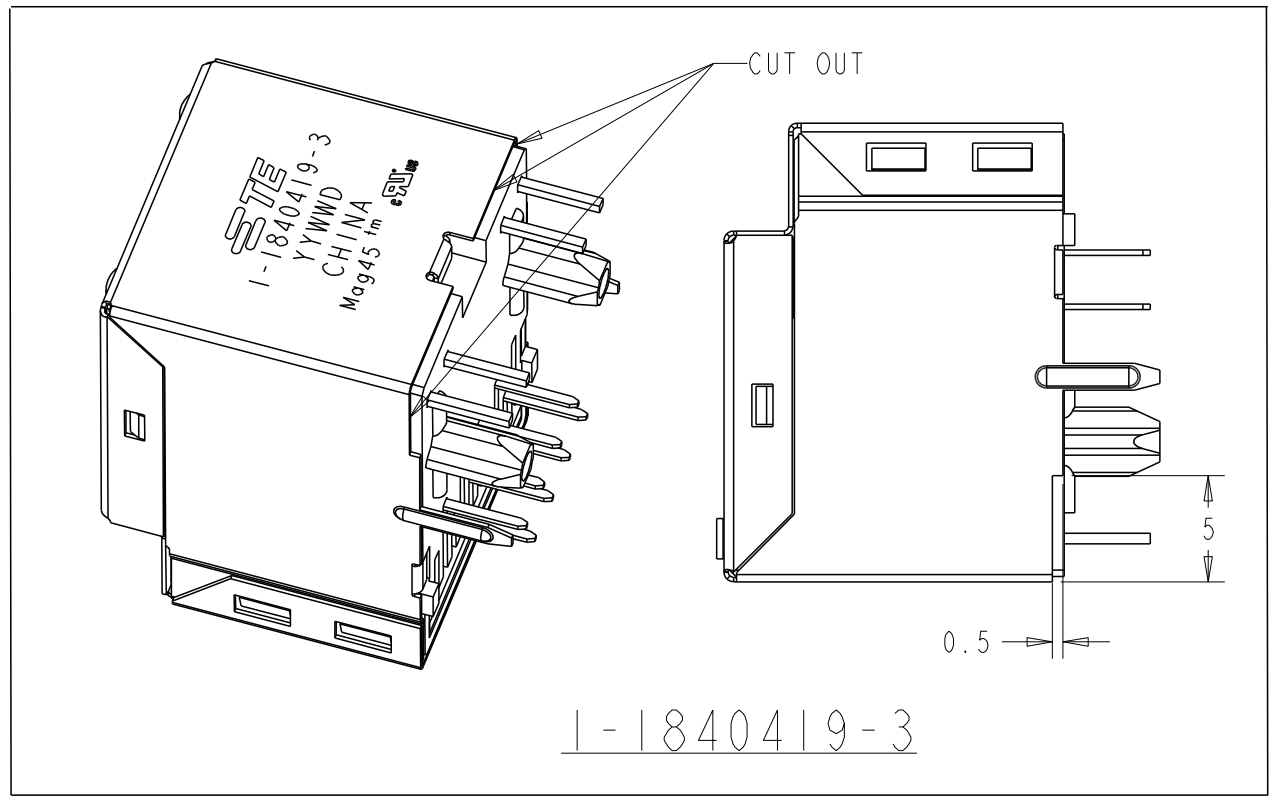
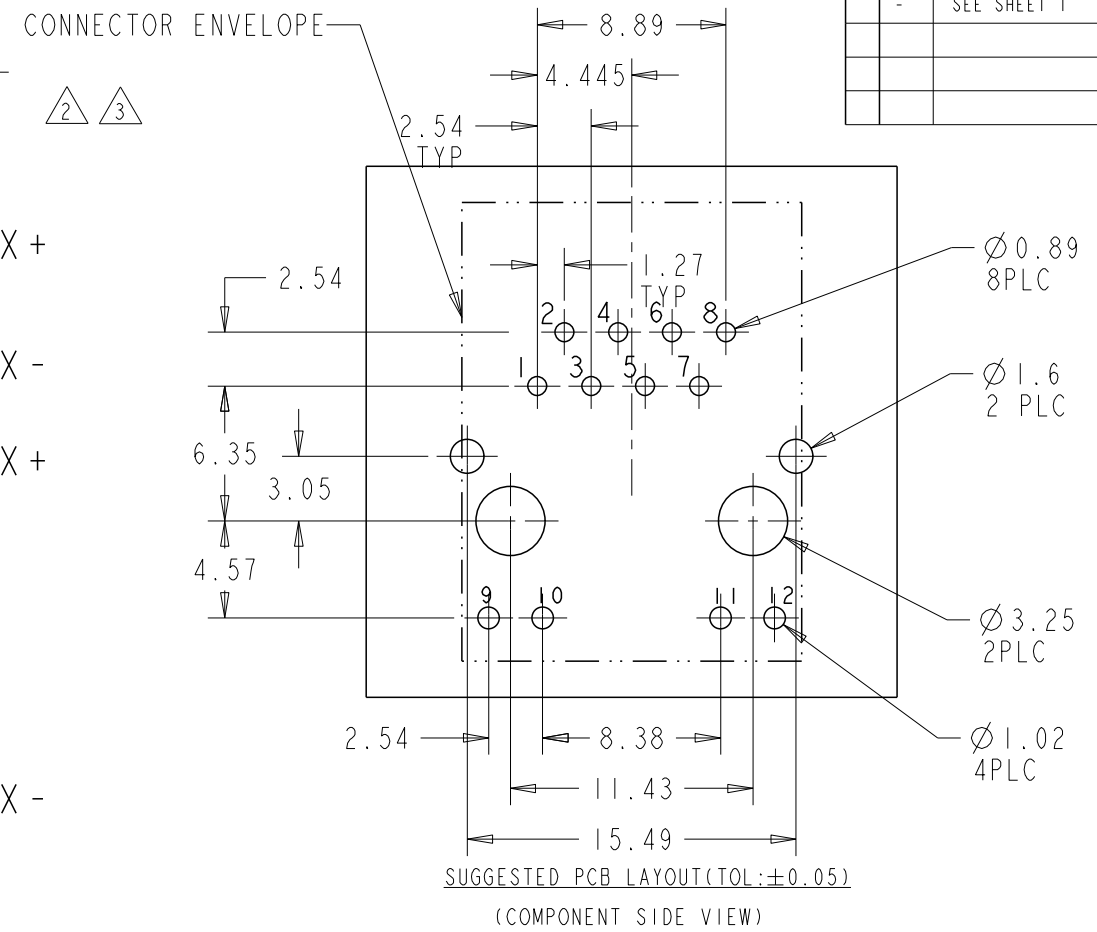
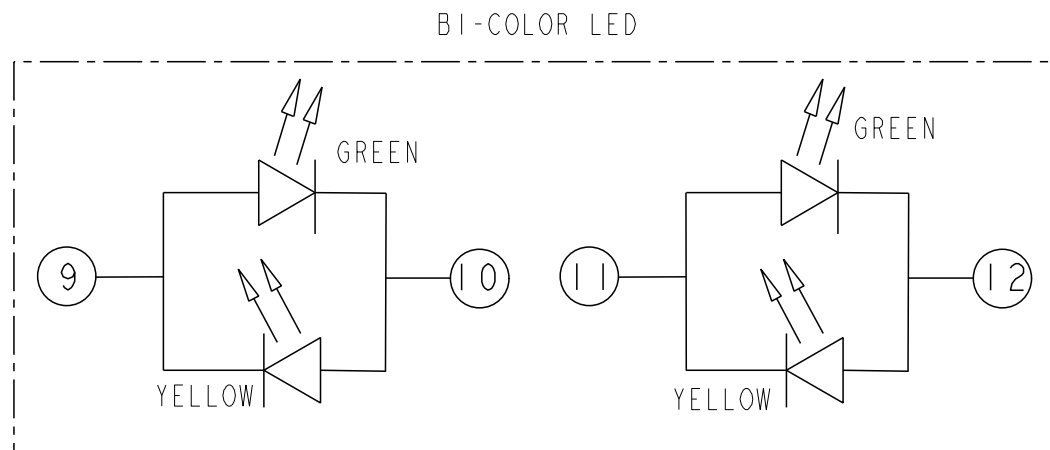
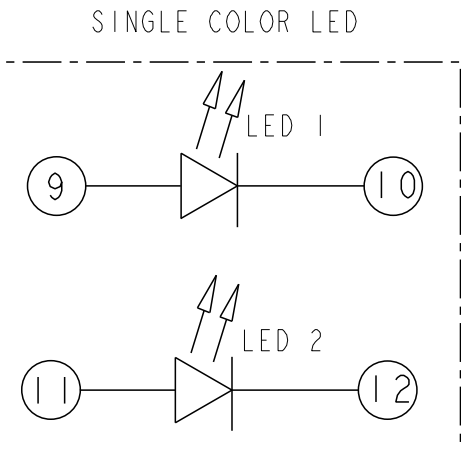
THIS DRAWING IS A CONTROLLED DOCUMENT.		DWN TOMMY REN 18AUG2006	TE Connectivity		
DIMENSIONS: mm		CHK KEITH ZHU 18AUG2006			
TOLERANCES UNLESS OTHERWISE SPECIFIED:		APVD TEDDY XIONG 18AUG2006	NAME 1X1 MAG45(TM) MODULAR JACK, VERTICAL TYPE, 426P13 CIRCUIT WITH LED		
0 PLC ±0.25 1 PLC ±0.25 2 PLC ±0.25 3 PLC ±0.25 4 PLC ± ANGLES ± FINISH ±		PRODUCT SPEC 108-2100	SIZE A2	CAGE CODE 00779	DRAWING NO C=1840419
MATERIAL		WEIGHT	RESTRICTED TO		
		CUSTOMER DRAWING	SCALE 1.000	SHEET 1 OF 2	REV E

LOC	DIST	REVISIONS					
AA	00	P	LTR	DESCRIPTION	DATE	DWN	APVD
		-		SEE SHEET 1			

426P13 10/100 BASE-T CIRCUIT Δ Δ



C1 = 1000pF, 2KV, CAPACITOR
 R1 - R4 = 75 ohms, RESISTOR



THIS DRAWING IS A CONTROLLED DOCUMENT.		DWN TOMMY REN 18AUG2006	TE Connectivity	
DIMENSIONS: mm		CHK KEITH ZHU 18AUG2006		
TOLERANCES UNLESS OTHERWISE SPECIFIED:		APVD TEDDY XIONG 18AUG2006	NAME 1X1 MAG45(TM) MODULAR JACK, VERTICAL TYPE, 426P13 CIRCUIT WITH LED	
0 PLC ±0.25		PRODUCT SPEC 108-2100	SIZE A2	CAGE CODE 00779
1 PLC ±0.25		APPLICATION SPEC	DRAWING NO C=1840419	RESTRICTED TO
2 PLC ±0.25			WEIGHT	
3 PLC ±0.25			CUSTOMER DRAWING	SCALE 4.000
4 PLC ±				SHEET 2 OF 2
ANGLES ±				REV E
FINISH ±				