



Chipsmall Limited consists of a professional team with an average of over 10 year of expertise in the distribution of electronic components. Based in Hongkong, we have already established firm and mutual-benefit business relationships with customers from,Europe,America and south Asia,supplying obsolete and hard-to-find components to meet their specific needs.

With the principle of "Quality Parts,Customers Priority,Honest Operation,and Considerate Service",our business mainly focus on the distribution of electronic components. Line cards we deal with include Microchip,ALPS,ROHM,Xilinx,Pulse,ON,Everlight and Freescale. Main products comprise IC,Modules,Potentiometer,IC Socket,Relay,Connector.Our parts cover such applications as commercial,industrial, and automotives areas.

We are looking forward to setting up business relationship with you and hope to provide you with the best service and solution. Let us make a better world for our industry!



## Contact us

Tel: +86-755-8981 8866 Fax: +86-755-8427 6832

Email & Skype: info@chipsmall.com Web: www.chipsmall.com

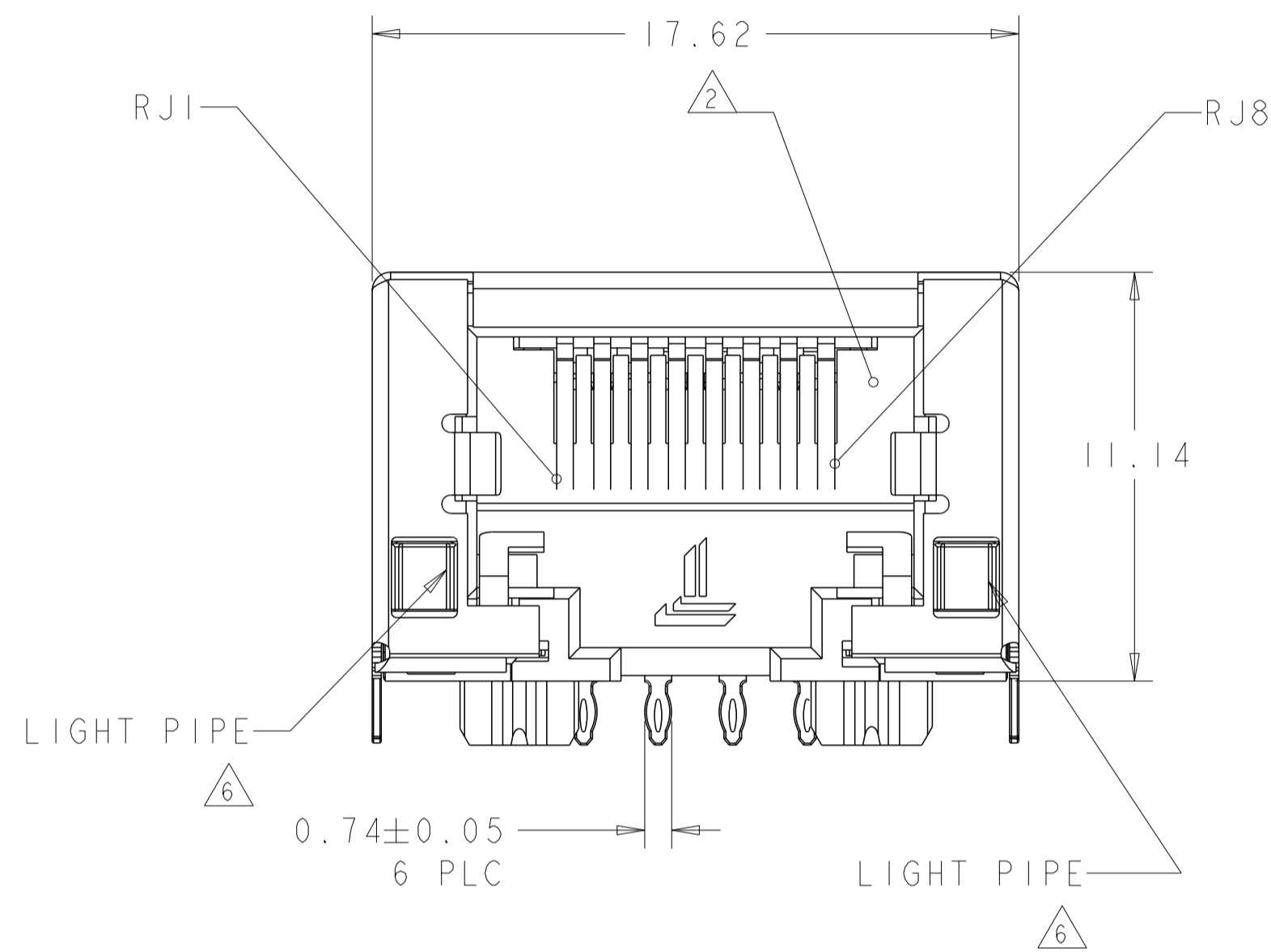
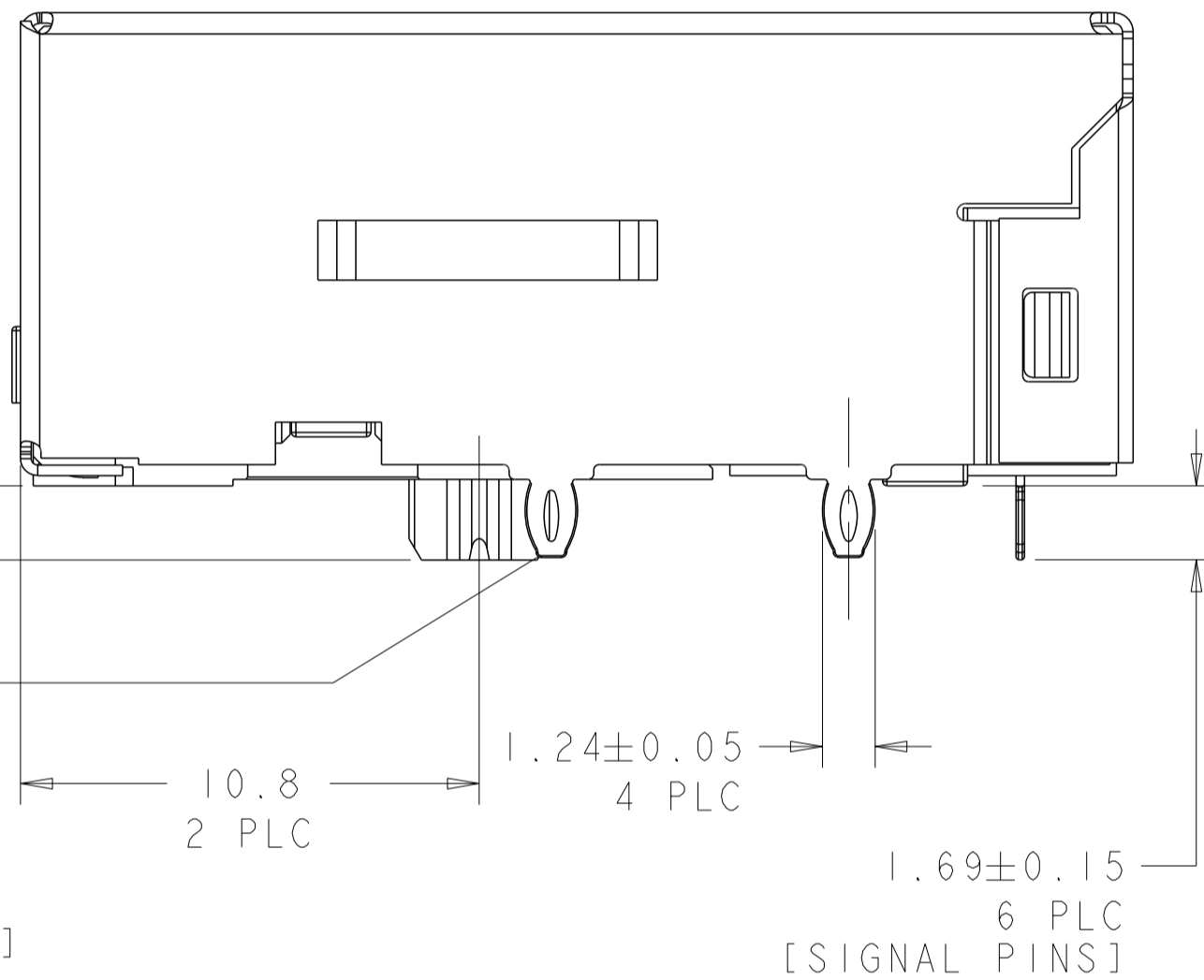
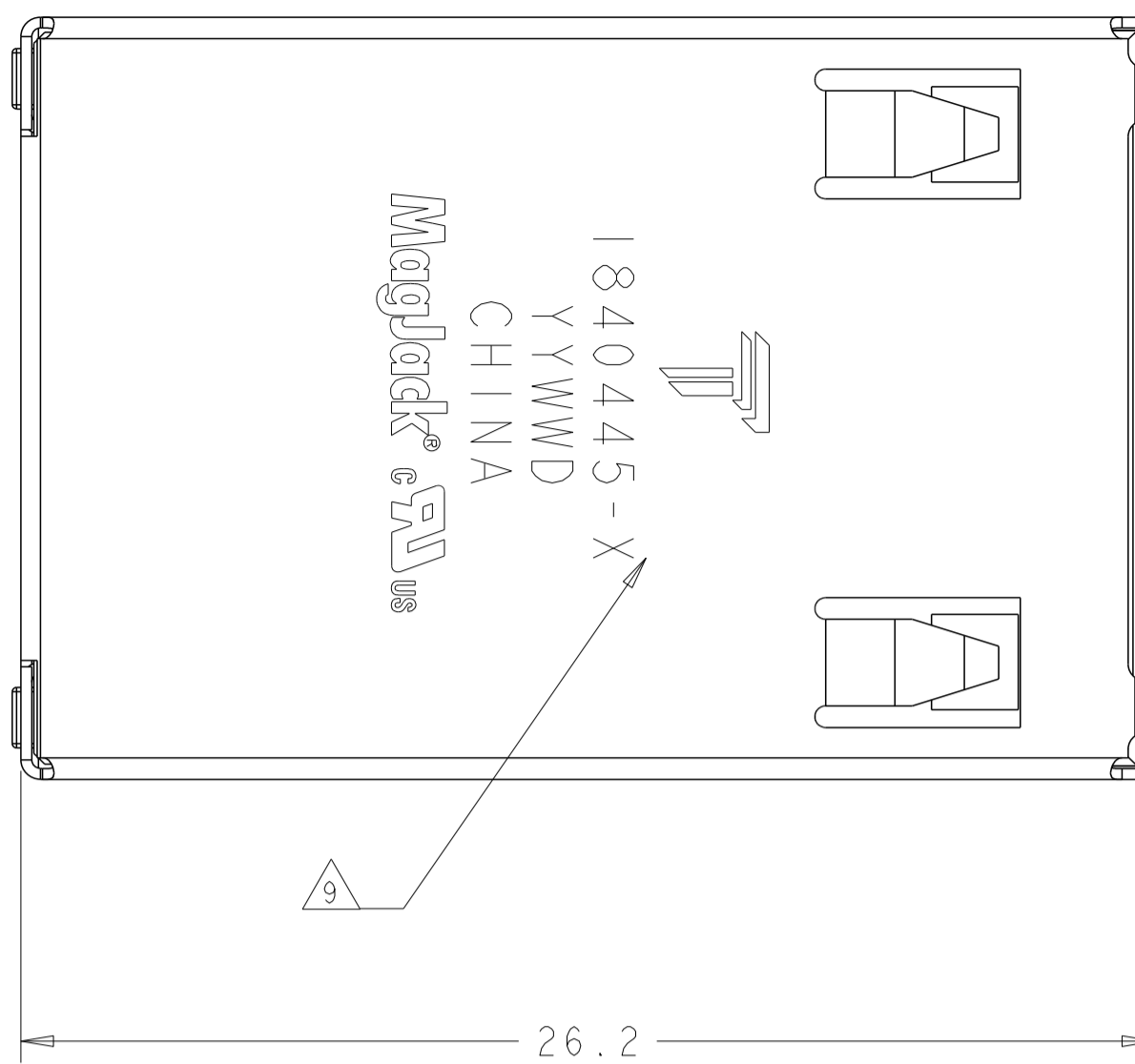
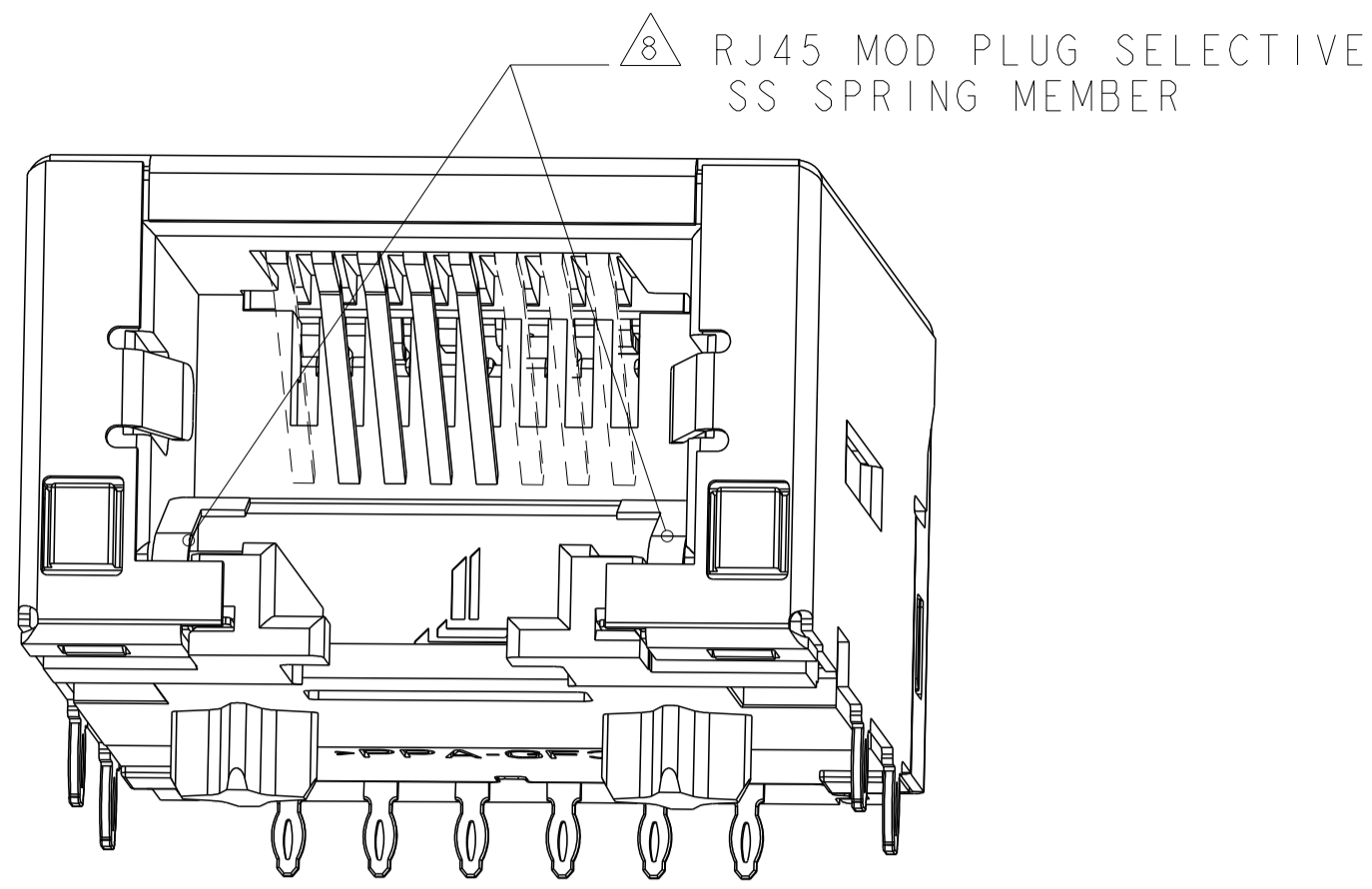
Address: A1208, Overseas Decoration Building, #122 Zhenhua RD., Futian, Shenzhen, China



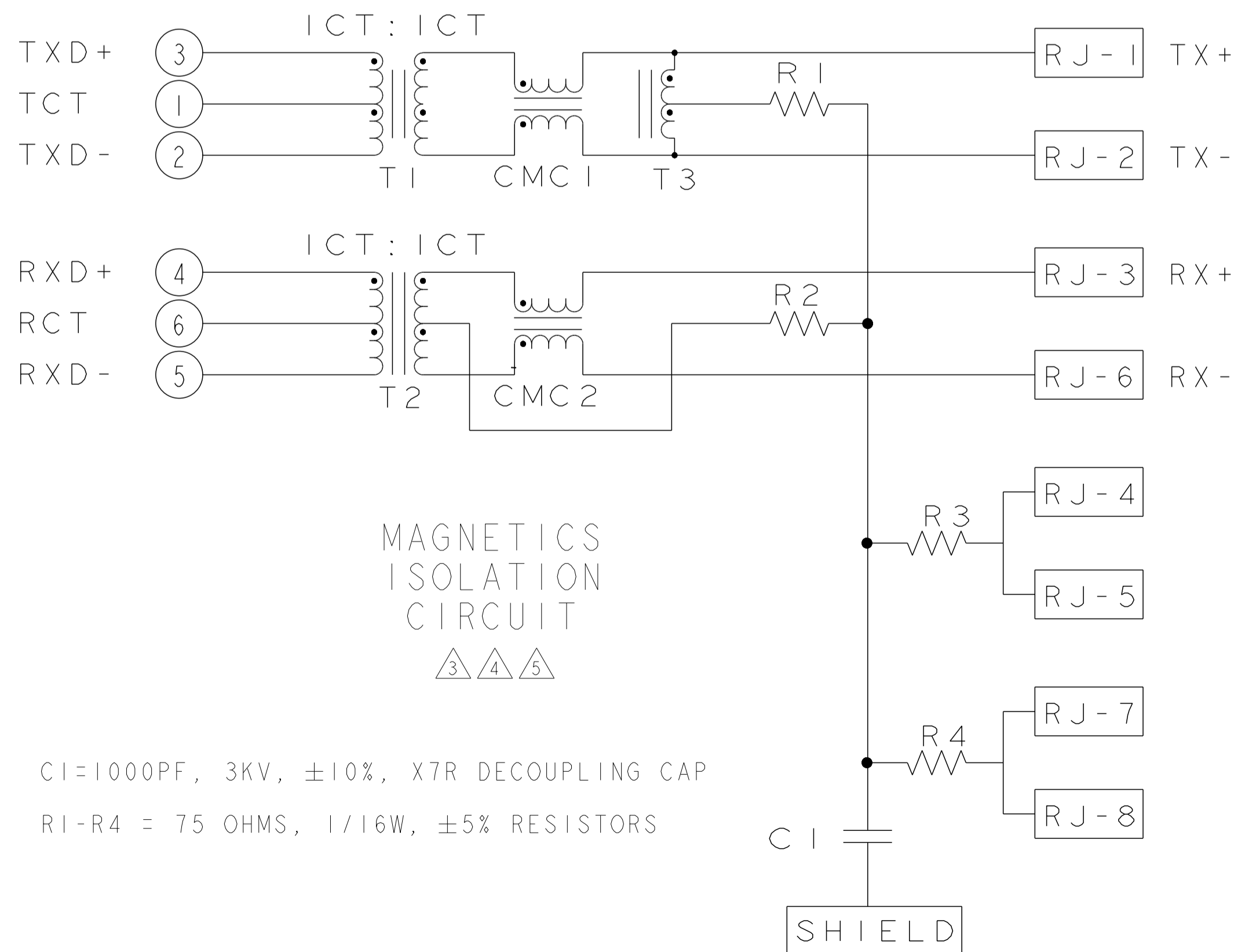
THIS DRAWING AND THE SUBJECT MATTER SHOWN THEREON ARE CONFIDENTIAL AND THE PROPERTY OF BEL/STEWART/TRP CONNECTOR AND SHALL NOT BE REPRODUCED, COPIED, OR USED IN ANY MANNER WITHOUT THE WRITTEN CONSENT OF TRP CONNECTOR.

PRODUCT MAY BE PROTECTED BY ONE OR MORE OF THE FOLLOWING US PATENTS:  
 5736910 5939955 6425781 6428361 6554638 6840817 7123117  
 7429195 7717749 7808751 6217391 6149050 7924130

REVISIONS				
REV	DATE	DESCRIPTION	BY	CHK
D	25APR2013	LOGO CHANGE	TY	KZ
E	13JAN2015	EC-1411035 COMPANY LOGO CHANGE	TYR	TYN



814 10/100 BASE-T CIRCUIT



CI=1000PF, 3KV, ±10%, X7R DECOUPLING CAP  
 R1-R4 = 75 OHMS, 1/16W, ±5% RESISTORS

1. MATERIALS:  
 - HOUSING: HIGH TEMPERATURE NYLON, BLACK, UL 94V-0  
 - SHIELD: 0.25mm THICK, BRASS PREPLATED WITH 0.76 um MIN SEMI-BRIGHT NICKEL; POST-DIPPED WITH 2 um MIN SAC ALLOY LEAD FREE SOLDER  
 - CONTACT TAILS: 0.20mm THICK, PHOSPHOR BRONZE, 1.27 um MIN OVERALL NICKEL UNDERPLATE, 3 um MIN TIN PLATE  
 - MOD JACK CONTACTS: 0.25mm THICK, PHOSPHOR BRONZE, 1.27 um MIN OVERALL NICKEL UNDERPLATE, WITH 0.76um MIN LOCALIZED GOLD PLATE AT PLUG INTERFACE  
 - LIGHT PIPE: POLYETHER SULFONE

2. RJ45 JACK CAVITY CONFORMS TO FCC RULES AND REGULATIONS PART 68, SUB-PART F.

3. MAGNETICS:  
 - APPLICATION: 10/100 BASE-T  
 - IMPEDANCE: 100Ω  
 - TURNS RATIO (CHIP:CABLE): TX 1:1, RX: 1:1  
 - OPEN CIRCUIT INDUCTANCE (OCL): 350uH (MIN) @100KHz, 0.1 VRMS  
 - 8 mA DC BIAS FROM 0°C TO 70°C, TX AND RX  
 - PERFORMANCE @25°C:

FREQUENCY	RETURN LOSS (dB MIN) CIRCUIT IMPEDANCE = 100 OHMS ±15%
0.5 MHz-30 MHz	18
30.1 MHz-60 MHz	18-20 log(f/30) f IS FREQUENCY IN MHZ
60.1 MHz-80 MHz	12

FREQUENCY	INSERTION LOSS (dB MAX)	COMMON MODE REJECTION RATIO (dB MIN)	CROSSTALK ATTENUATION (dB MIN)
0.5 MHz-40 MHz	1.1	30	35
40.1 MHz-100 MHz			33-20 log(f/50) (f IS FREQUENCY IN MHZ)

- ISOLATION VOLTAGE: COMPLIES WITH IEEE802.3.2002, PARA 23.5.1.1, ITEM a AND b.

4. THE MAGNETICS ARE ASYMMETRICAL, AND DO NOT SUPPORT AUTO-MDIX.

5. OPERATING TEMPERATURE: FROM 0°C TO +70°C.

6. LIGHT PIPES ARE USED TO TRANSMIT LIGHT OF SMD LED'S MOUNTED ON CUSTOMER BOARD.

7. ALL DIMENSIONS ARE NOMINAL UNLESS OTHERWISE NOTED.

8. RJ45 MOD PLUG SELECTIVE - THIS CONNECTOR UTILIZES STEEL SPRING MEMBER WHICH PREVENTS THE INSERTION OF A RJ11 (6 POSITION) PLUG INTO THE JACK PORT, WHILE ALLOWING A RJ45 (8 POSITION) PLUG TO MATE FREELY.

WARNING: THIS FEATURE WAS DEVELOPED FOR TYPICAL PLUG INSERTION FORCES. EXCESSIVE INSERTION FORCE MAY OVERCOME THE SELECTIVE FEATURES AND DAMAGE THE CONNECTOR.

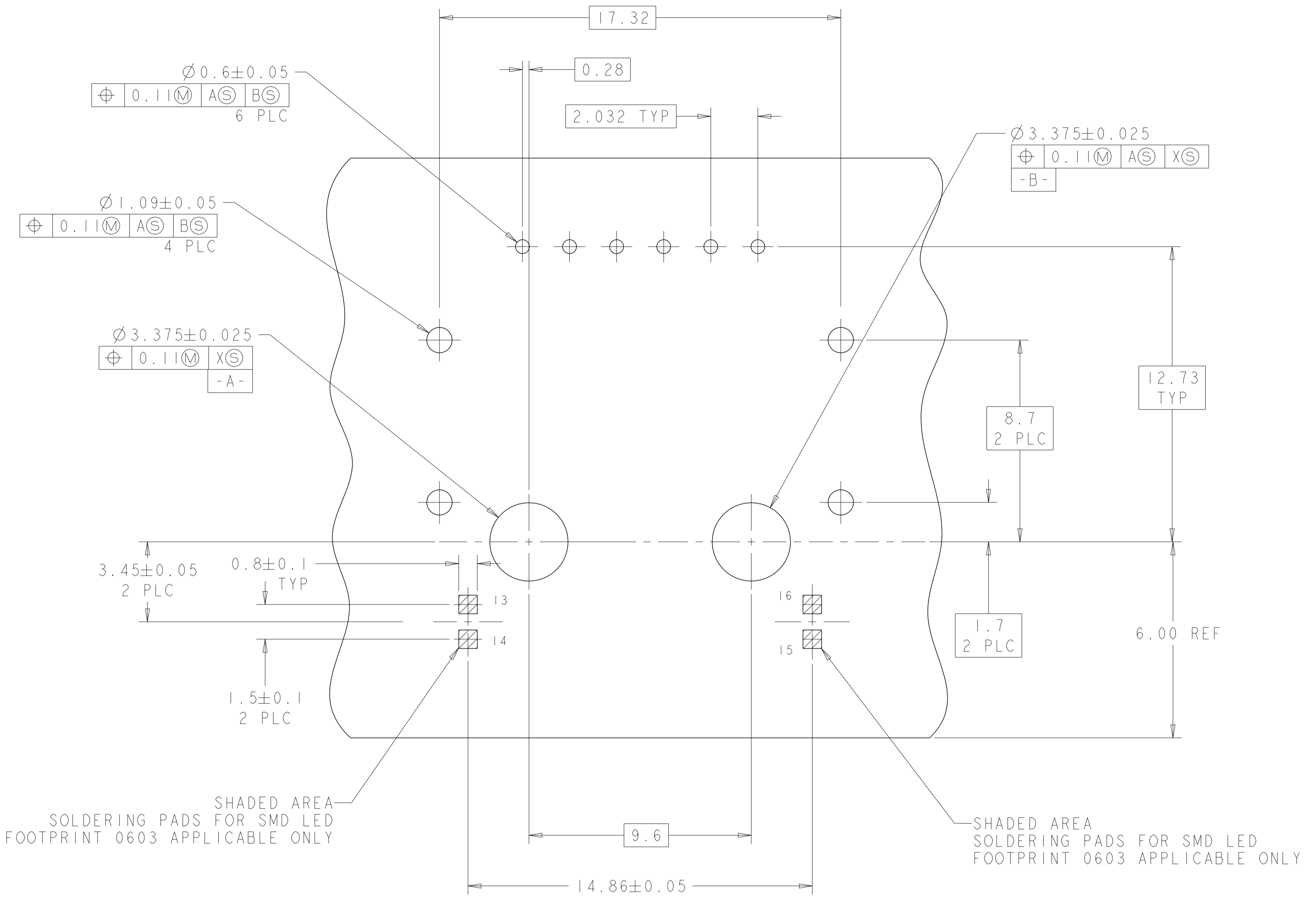
9. TRP CONNECTOR LOGO, TRADEMARK, PART NUMBER, DATE CODE, COUNTRY OF ORIGIN, AND AGENCY APPROVAL MARKING IN APPROXIMATE LOCATION SHOWN

10. 1840445-1 SHOWN UNLESS OTHERWISE NOTED,

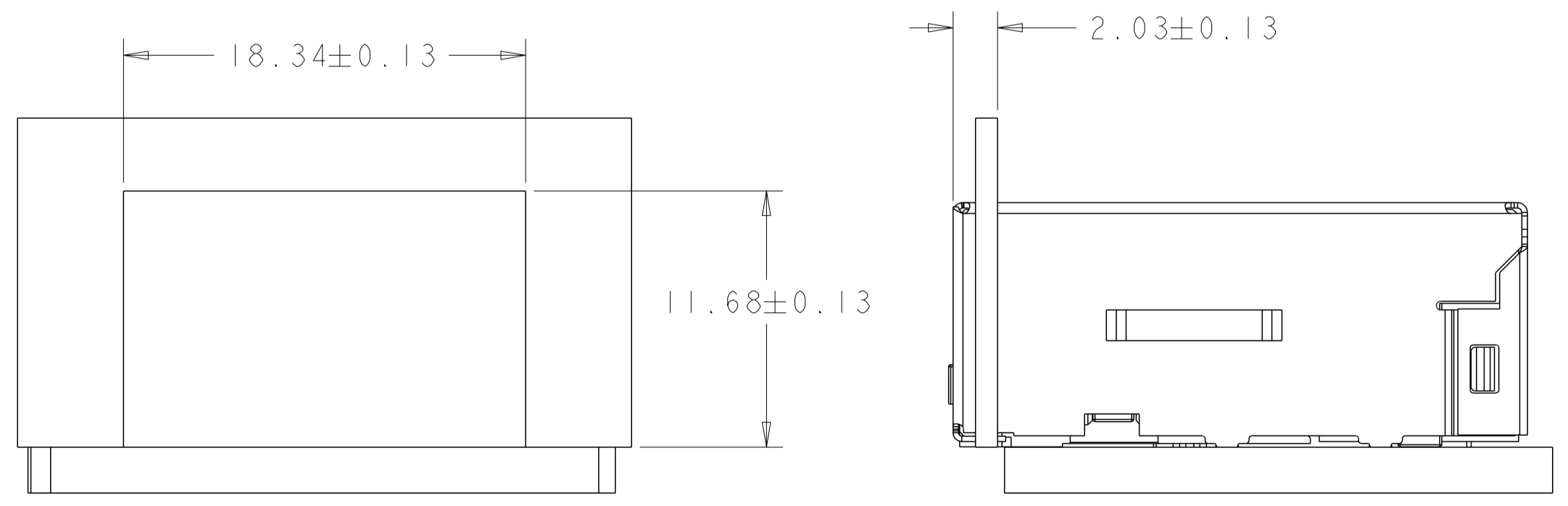
TOP AND SIDES	1840445-2
NONE	1840445-1
TABS	PART NO.

THIS DRAWING IS A CONTROLLED DOCUMENT.		OWN: TOWER YU 10SEP2007	DONGGUAN CHINA a bel group
DIMENSIONS: mm		CHK: KE LTH ZHU 10SEP2007	
TOLERANCES UNLESS OTHERWISE SPECIFIED: 0 PLC ±0.25 1 PLC ±0.25 2 PLC ±0.25 3 PLC ±0.25 4 PLC ±0.25 ANGLES ±°		APPV: TEDDY XIONG 10SEP2007	
PRODUCT SPEC: 108-104009 APPLICATION SPEC: -		MODEL NAME: MAGJACK	DESC: 1X1 814 10/100 TAB DOWN LOW PROFILE PRESS FIT NO LED W/ LIGHT PIPE
		SIZE: A1	RESTRICTED TO: -
		CAGE CODE: C=1840445	SCALE: 6:1 SHEET 1 OF 2 REV E

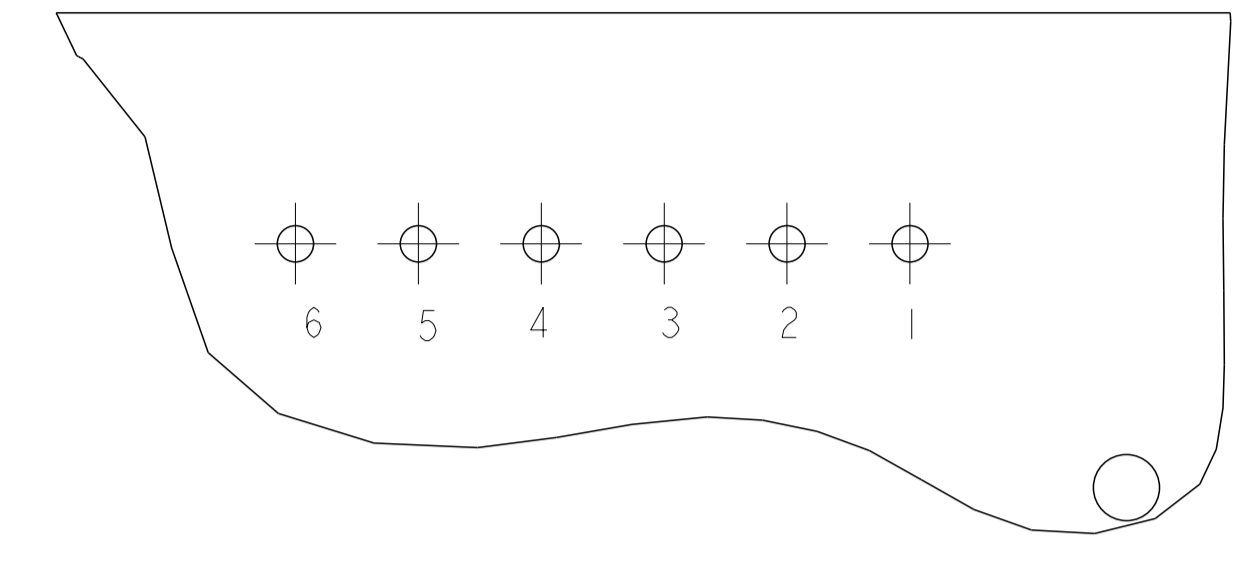




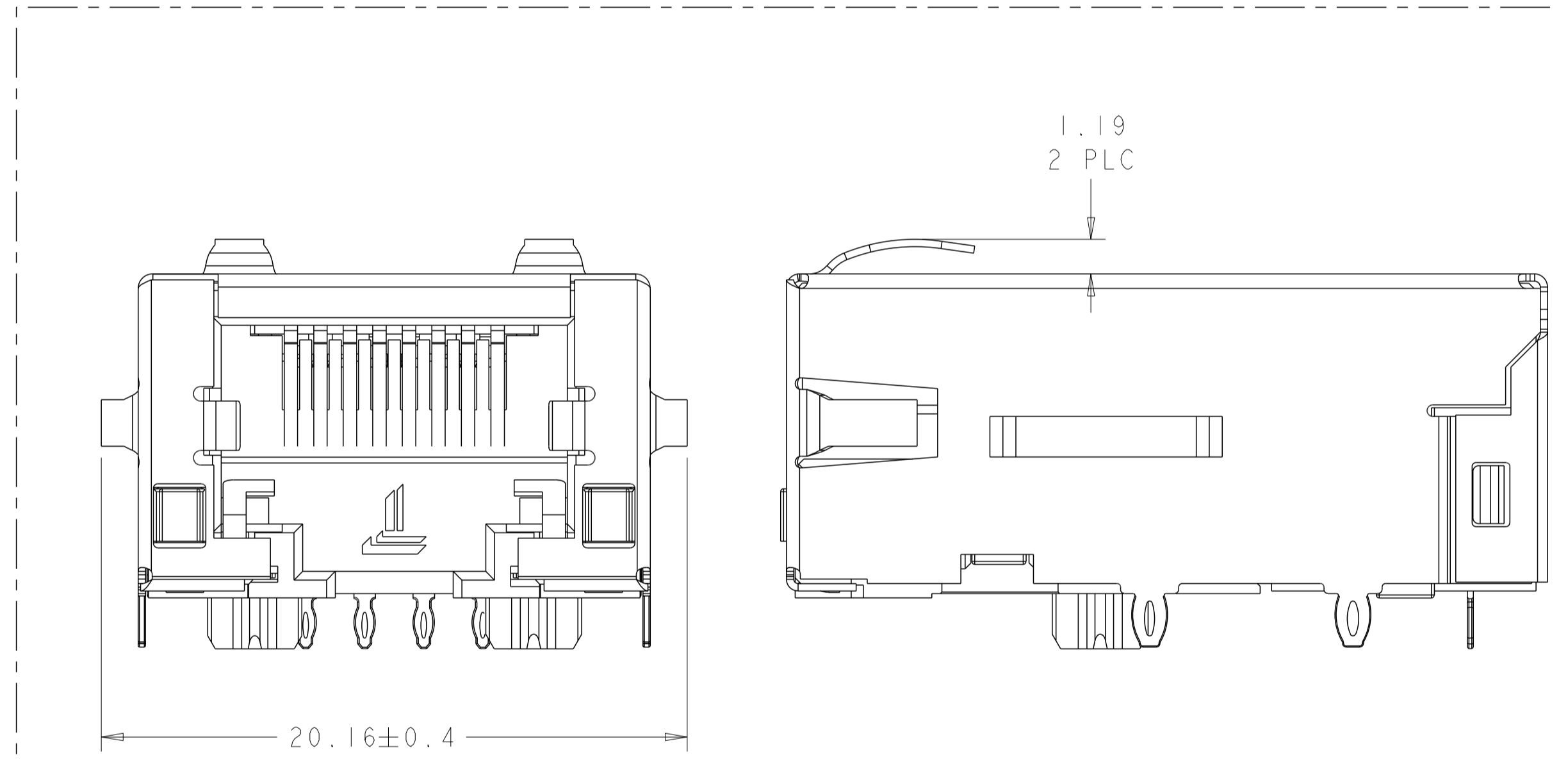
SUGGESTED PCB LAYOUT  
 (COMPONENT SIDE)



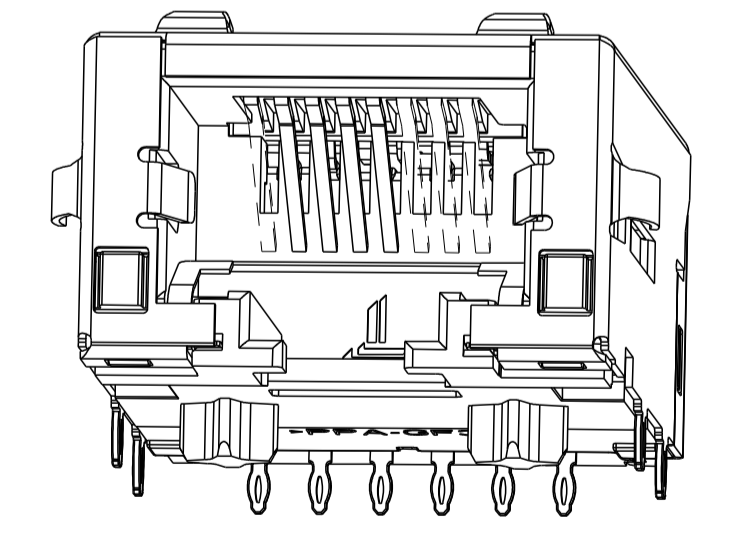
SUGGESTED PANEL OPENING



PIN DESIGNATIONS



1840445-2



SCALE 4:1

THIS DRAWING IS A CONTROLLED DOCUMENT.		OWN TOWER YU 10SEP2007	<b>trp</b> CONNECTOR a bel group DONGGUAN CHINA
DIMENSIONS: mm		CHK KE LTH ZHU 10SEP2007	
		APP'D TEDDY XIONG 10SEP2007	
TOLERANCES UNLESS OTHERWISE SPECIFIED: 0 PLC ±0.25 1 PLC ±0.25 2 PLC ±0.25 3 PLC ± 4 PLC ± ANGLES ± APPLICATION SPEC ±		MODEL NAME MAGJACK	
PRODUCT SPEC 108-104009		DESC. 1X1 814 10/100 TAB DOWN LOW PROFILE PRESS FIT NO LED W/ LIGHT PIPE	SIZE A1
CUSTOMER DRAWING		CAGE CODE DRAWING NO. C=1840445	RESTRICTED TO
		SCALE 4:1	SHEET 2 OF 2 REV E