



Chipsmall Limited consists of a professional team with an average of over 10 year of expertise in the distribution of electronic components. Based in Hongkong, we have already established firm and mutual-benefit business relationships with customers from,Europe,America and south Asia,supplying obsolete and hard-to-find components to meet their specific needs.

With the principle of “Quality Parts,Customers Priority,Honest Operation,and Considerate Service”,our business mainly focus on the distribution of electronic components. Line cards we deal with include Microchip,ALPS,ROHM,Xilinx,Pulse,ON,Everlight and Freescale. Main products comprise IC,Modules,Potentiometer,IC Socket,Relay,Connector.Our parts cover such applications as commercial,industrial, and automotives areas.

We are looking forward to setting up business relationship with you and hope to provide you with the best service and solution. Let us make a better world for our industry!



Contact us

Tel: +86-755-8981 8866 Fax: +86-755-8427 6832

Email & Skype: info@chipsmall.com Web: www.chipsmall.com

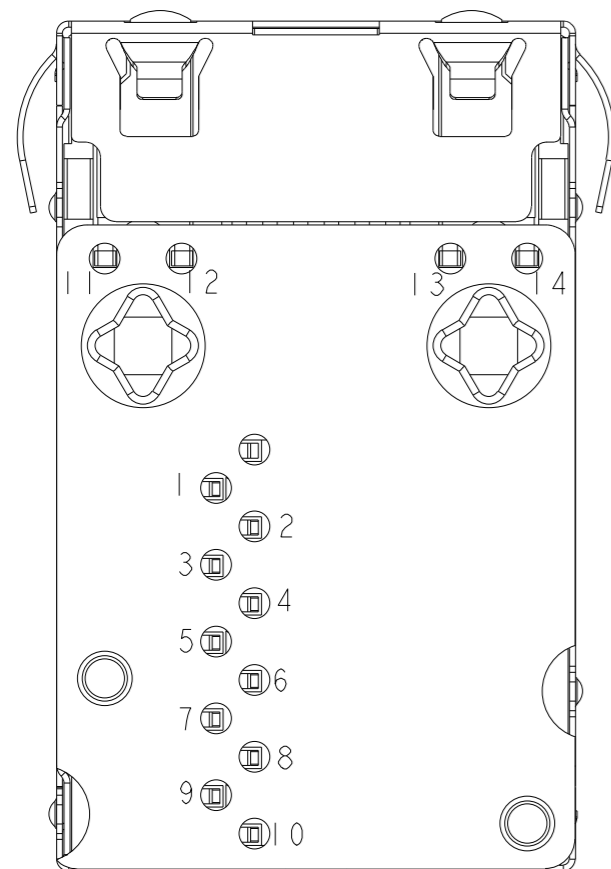
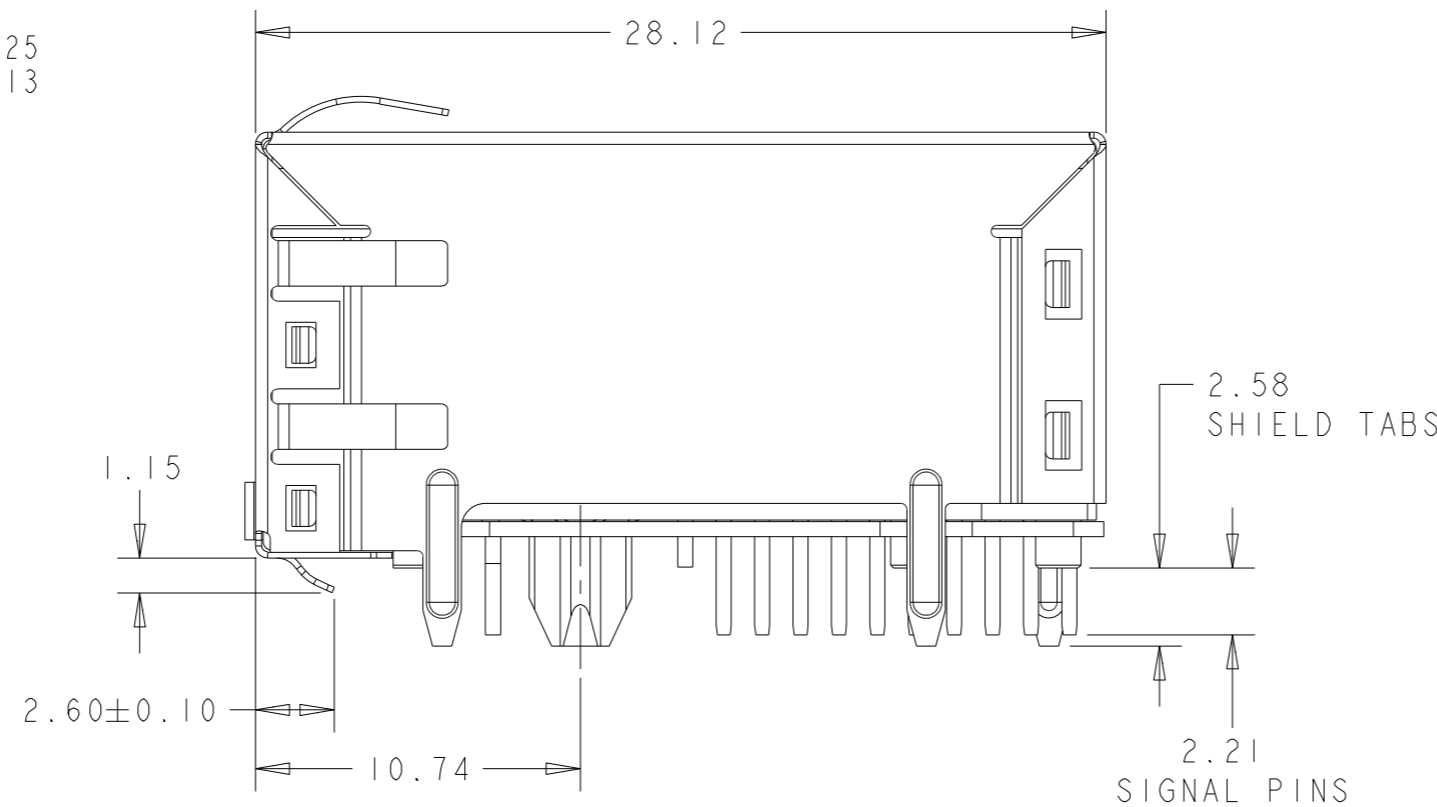
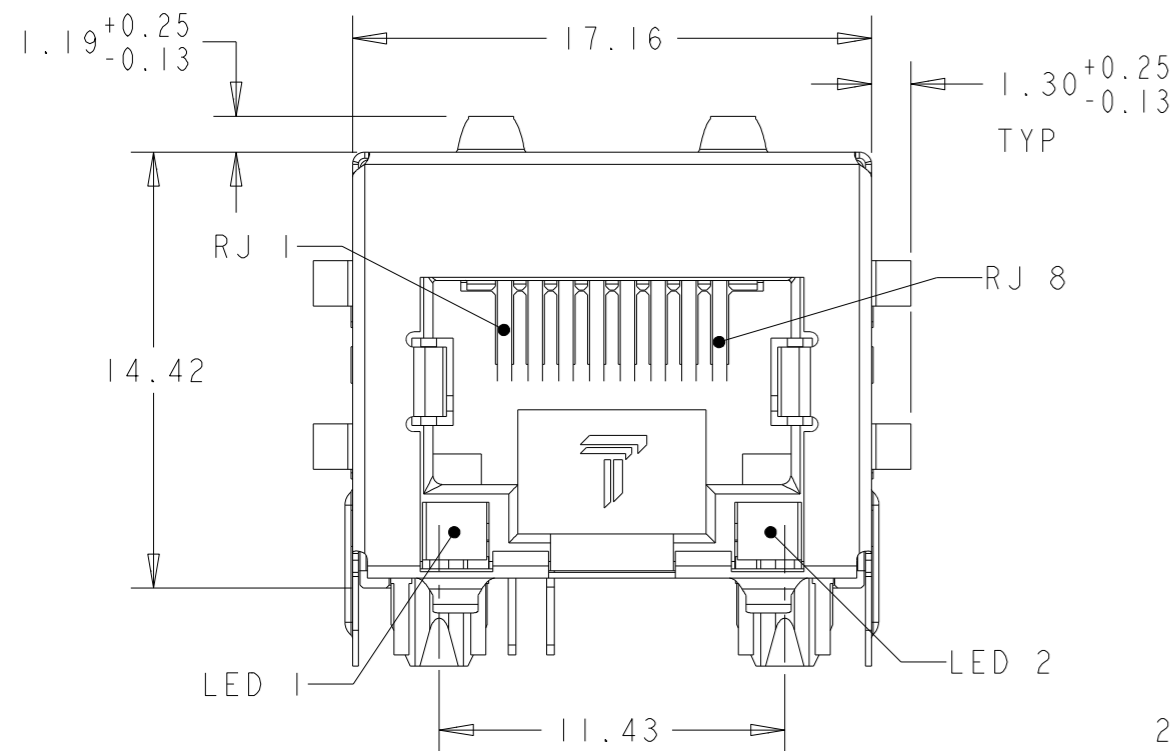
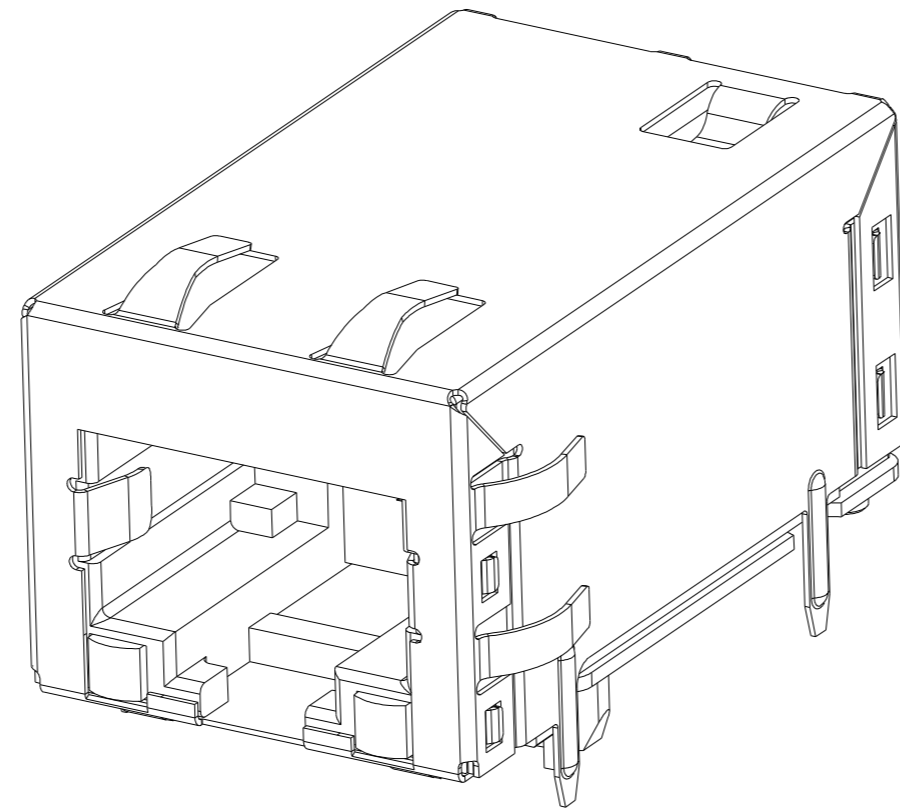
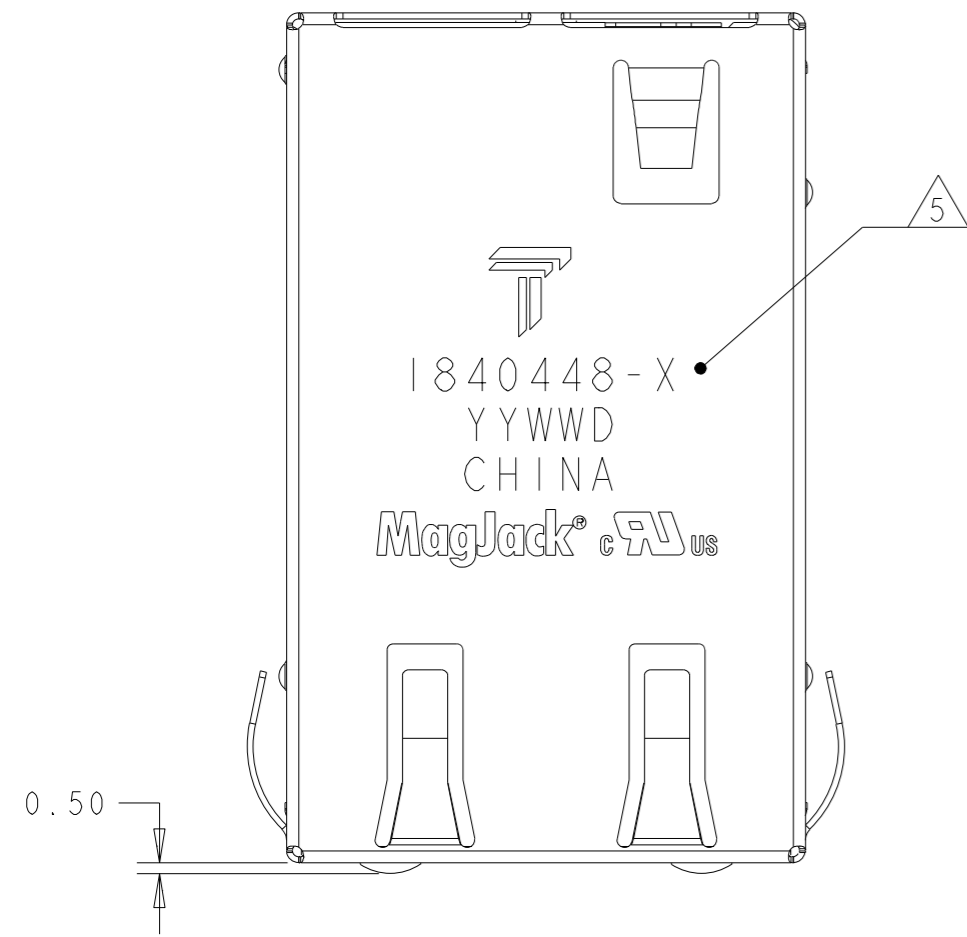
Address: A1208, Overseas Decoration Building, #122 Zhenhua RD., Futian, Shenzhen, China



THIS DRAWING AND THE SUBJECT MATTER SHOWN THEREON ARE CONFIDENTIAL AND THE PROPERTY OF BEL/STEWART/TRP CONNECTOR AND SHALL NOT BE REPRODUCED, COPIED, OR USED IN ANY MANNER WITHOUT THE WRITTEN CONSENT OF TRP CONNECTOR.

PRODUCT MAY BE PROTECTED BY ONE OR MORE OF THE FOLLOWING US PATENTS:
 5736910 5939955 6425781 6428361 6554638 6840817 7123117
 7429195 7717749 7808751 6217391 6149050 7924130

REVISIONS				
P	LTR	DESCRIPTION	DATE	APVD
F		EC-1411035 COMPANY LOGO CHANGE	23DEC2014	DP TY



- MATERIALS:
 PLASTIC HOUSING: BLACK, THERMOPLASTIC FLAMMABILITY RATING UL 94V-0
 SHIELD: BRASS, PREPLATED WITH 30µ INCH MIN SEMI-BRIGHT NICKEL, POST DIPPED WITH 100µ INCH MIN SAC SOLDER ON SOLDER TAILS
 CONTACTS: PHOSPHOR BRONZE, 50µ INCH MIN NICKEL UNDERPLATE WITH SELECT 50µ INCH MIN GOLD AT MATING INTERFACE AND 100µ INCH MIN MATTE TIN ON SOLDER TAILS.
 LED: DIFFUSED EPOXY LENS, .020" X .020" CARBON STEEL WIREFRAME LEADS PREPLATED WITH 80µ INCH MIN SILVER OVER 40µ INCH MIN NICKEL UNDERPLATE OVER 40µ INCH MIN COPPER UNDERPLATE. POST-PLATED WITH 100µ INCH MIN MATTE TIN AND/OR SAC SOLDER DIP OR PURE TIN SOLDER DIP.

- MAGNETICS:
 APPLICATION: 10/100/1000 BASE-T
 IMPEDANCE: 100 OHMS
 TURNS RATIO (CHIP:CABLE): 1:1 ALL FOUR PAIRS
 OPEN CIRCUIT INDUCTANCE (OCL): 350µH MIN @100kHz, 0.1VRMS, 8mADC BIAS FROM 0°C TO 70°C, ALL FOUR PAIRS
 ALL FOUR PAIRS BI-DIRECTIONAL
 PERFORMANCE @ 25°C:
 INSERTION LOSS (IL): 1.1dB MAX FROM 0.5MHz TO 100MHz
 RETURN LOSS (RL): 18dB MIN FROM 0.5MHz TO 40MHz
 12-20LOG(f/80)dB MIN FROM 40.1MHz TO 100MHz
 CROSSTALK ATTENUATION: 35dB MIN FROM 0.5MHz TO 40MHz
 33-20LOG(f/50)dB MIN FROM 40.1MHz TO 100MHz
 COMMON MODE REJECTION RATIO (CMRR):
 30dB MIN FROM 0.5MHz TO 100MHz
 ISOLATION VOLTAGE: 2250VDC FOR 60 SECONDS WITH A RISE TIME OF 500 V/SEC

3. OPERATING TEMP: FROM 0°C TO +70°C

4 INDICATED MAGNETIC CONNECTIONS ARE SYMMETRICAL AND SUPPORT AUTO-MDIX.

5 TRP CONNECTOR LOGO, PART NUMBER, DATE CODE AND COUNTRY OF ORIGIN LOCATED IN THE APPROXIMATE AREA SHOWN. DATE CODE: YYWW, WHERE "YY" IS YEAR, "WW" IS WORK WEEK, "D" IS DAY OF WEEK, WITH SUNDAY=1

6. RJ45 CAVITY COMFORMS TO FCC RULES AND REGULATION PART 68 SUBPART F

7. LEDs ARE DRIVEN WITH CONSTANT CURRENT AT APPROX 20mA
 LED COLOR: DOMINANT WAVELENGTH (λD):GREEN 568 nm TYP. at IF=20mA
 FORWARD VOLTAGE (VF):GREEN 2.2V TYP. at IF=20mA
 DOMINANT WAVELENGTH (λD):YELLOW 588 nm TYP. at IF=20mA
 FORWARD VOLTAGE (VF):YELLOW 2.1V TYP. at IF=20mA
 DOMINANT WAVELENGTH (λD):ORANGE 605 nm TYP. at IF=20mA
 FORWARD VOLTAGE (VF):ORANGE 2.1V TYP. at IF=20mA

8 DATUM AND BASIC DIMENSION ESTABLISHED BY CUSTOMER

9 BASIC DIMENSION ESTABLISHED BY CUSTOMER, BUT MAY NOT BE GREATER THAN 6.22.

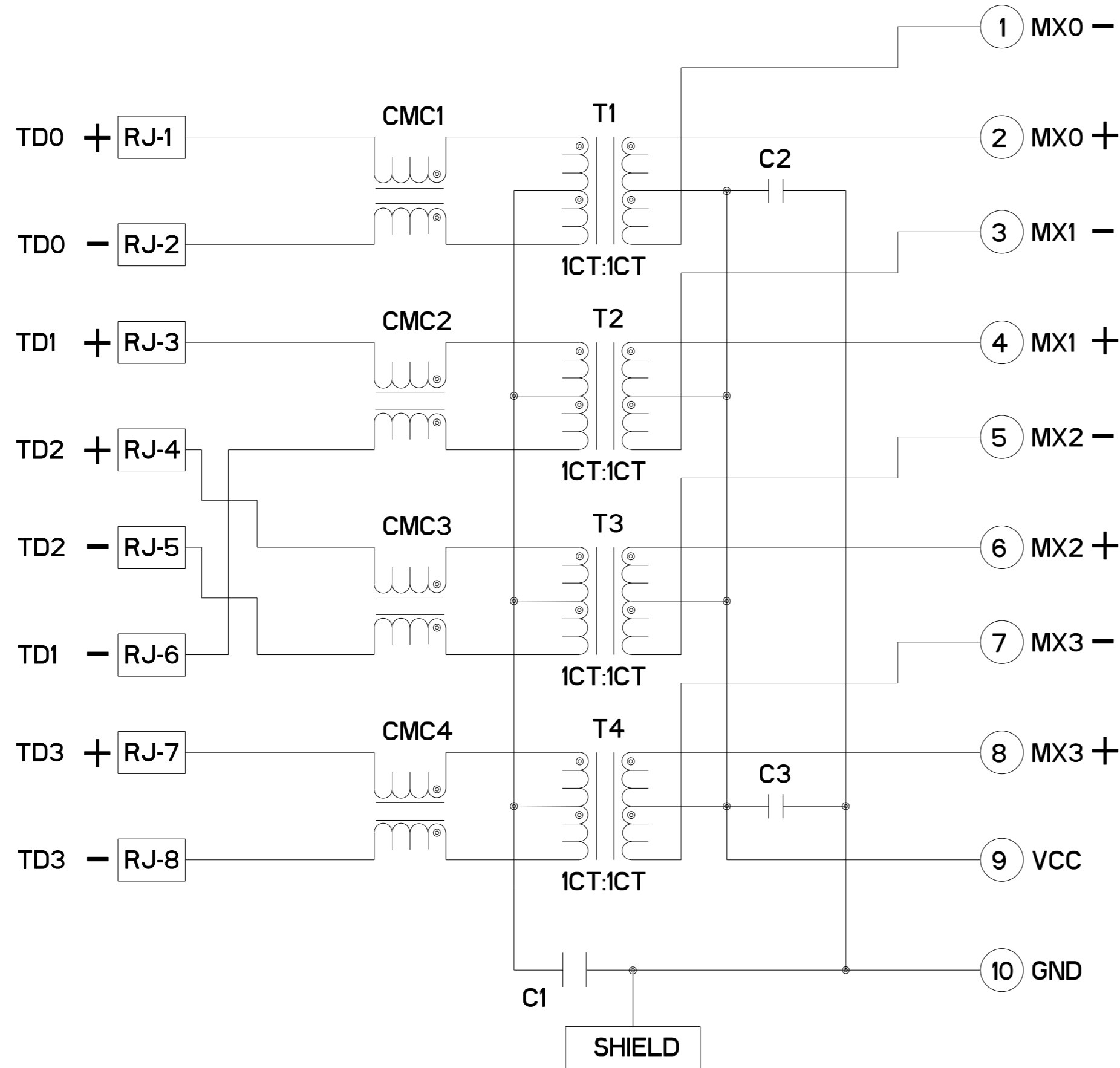
10. SOLDERING ALL SIGNAL PINS WITH BOTTOM PCB

GREEN	GRN/ORANGE	I-1840448-8
YELLOW	GREEN	1840448-9
GREEN	YELLOW	1840448-8
GREEN	GREEN	1840448-7
GRN/YEL	GRN/YEL	1840448-6
LED 1	LED 2	PART NUMBER

THIS DRAWING IS A CONTROLLED DOCUMENT.		DWN TOMMY REN 29 JAN 2008
DIMENSIONS: mm		CHK KEITH ZHU 29 JAN 2008
TOLERANCES UNLESS OTHERWISE SPECIFIED: 0 PLC ± 1 PLC ±0.25 2 PLC ±0.25 3 PLC ±0.25 4 PLC ± ANGLES ± APPLICATION SPEC		APVD TEDDY XIONG 29 JAN 2008
PRODUCT SPEC		MODEL NAME MAGJACK SINGLE NON-POE

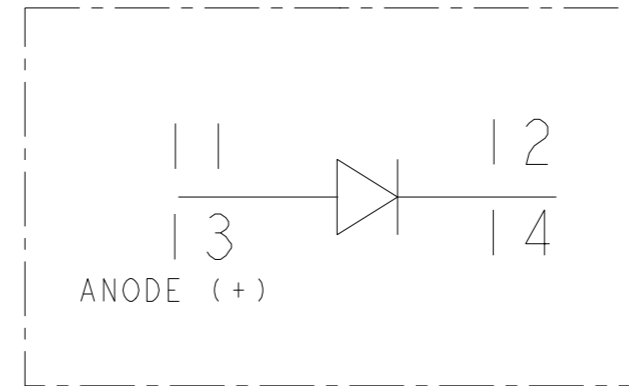
trp CONNECTOR a bel group		DONGGUAN CHINA	
DESC IXI S8G17 GIGABIT TAB DOWN W/ LED			
SIZE A2	CAGE CODE C-1840448	DRAWING NO -	RESTRICTED TO -
CUSTOMER DRAWING		SCALE NTS	SHEET 1 OF 3 REV F

S8G17 GIGABIT CIRCUIT

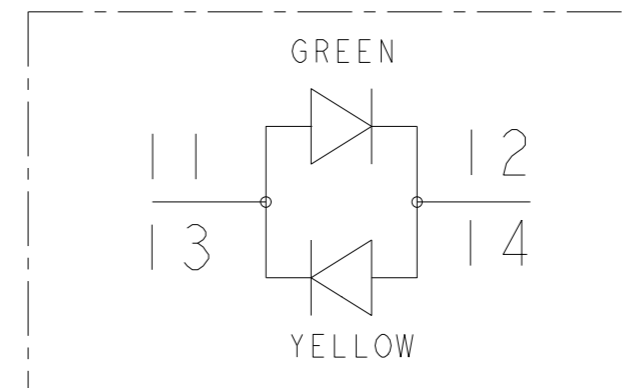


C1 = 1000pF, 2KV, DECOUPLING CAPACITOR
 C2-C3 = 470pF, 50V, CAPACITORS

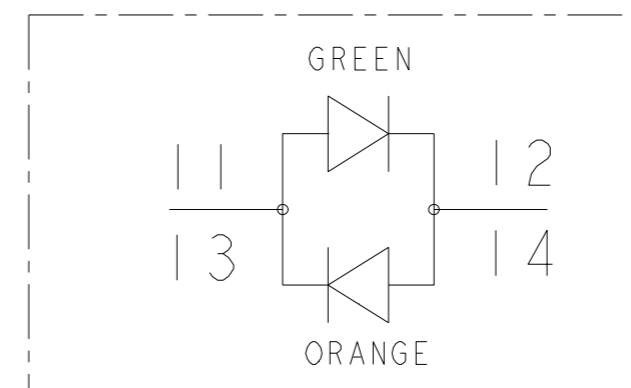
SINGLE COLOR LED


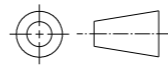


BI-COLOR LED



BI-COLOR LED



THIS DRAWING IS A CONTROLLED DOCUMENT.		DWN TOMMY REN 29 JAN 2008	 trp CONNECTOR a bel group	DONGGUAN CHINA
DIMENSIONS: mm		CHK KEITH ZHU 29 JAN 2008		
		APVD TEDDY XIONG 29 JAN 2008		
TOLERANCES UNLESS OTHERWISE SPECIFIED: 0 PLC ± 1 PLC ±0.25 2 PLC ±0.25 3 PLC ±0.25 4 PLC ± ANGLES ± APPLICATION SPEC		MODEL NAME MAGJACK SINGLE NON-POE		
PRODUCT SPEC		DESC IXI S8G17 GIGABIT TAB DOWN W/ LED		RESTRICTED TO
		SIZE A2	CAGE CODE C-1840448	
		CUSTOMER DRAWING		SCALE NTS SHEET 3 OF 3 REV F