



Chipsmall Limited consists of a professional team with an average of over 10 year of expertise in the distribution of electronic components. Based in Hongkong, we have already established firm and mutual-benefit business relationships with customers from,Europe,America and south Asia,supplying obsolete and hard-to-find components to meet their specific needs.

With the principle of “Quality Parts,Customers Priority,Honest Operation,and Considerate Service”,our business mainly focus on the distribution of electronic components. Line cards we deal with include Microchip,ALPS,ROHM,Xilinx,Pulse,ON,Everlight and Freescale. Main products comprise IC,Modules,Potentiometer,IC Socket,Relay,Connector.Our parts cover such applications as commercial,industrial, and automotives areas.

We are looking forward to setting up business relationship with you and hope to provide you with the best service and solution. Let us make a better world for our industry!



## Contact us

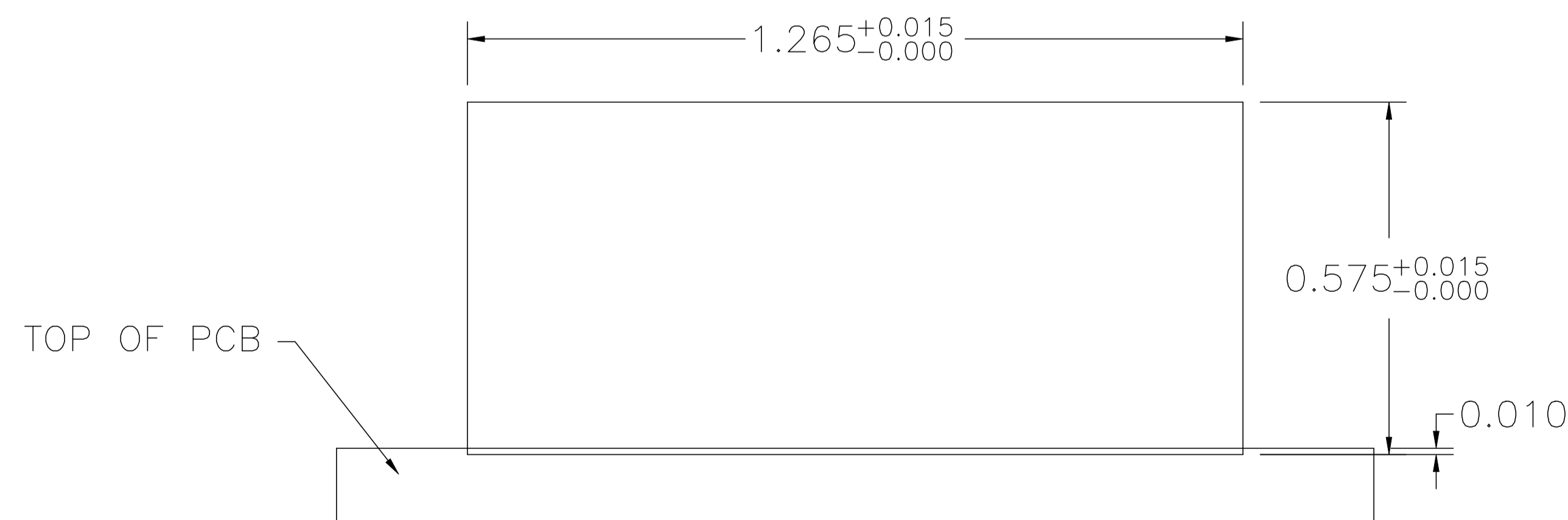
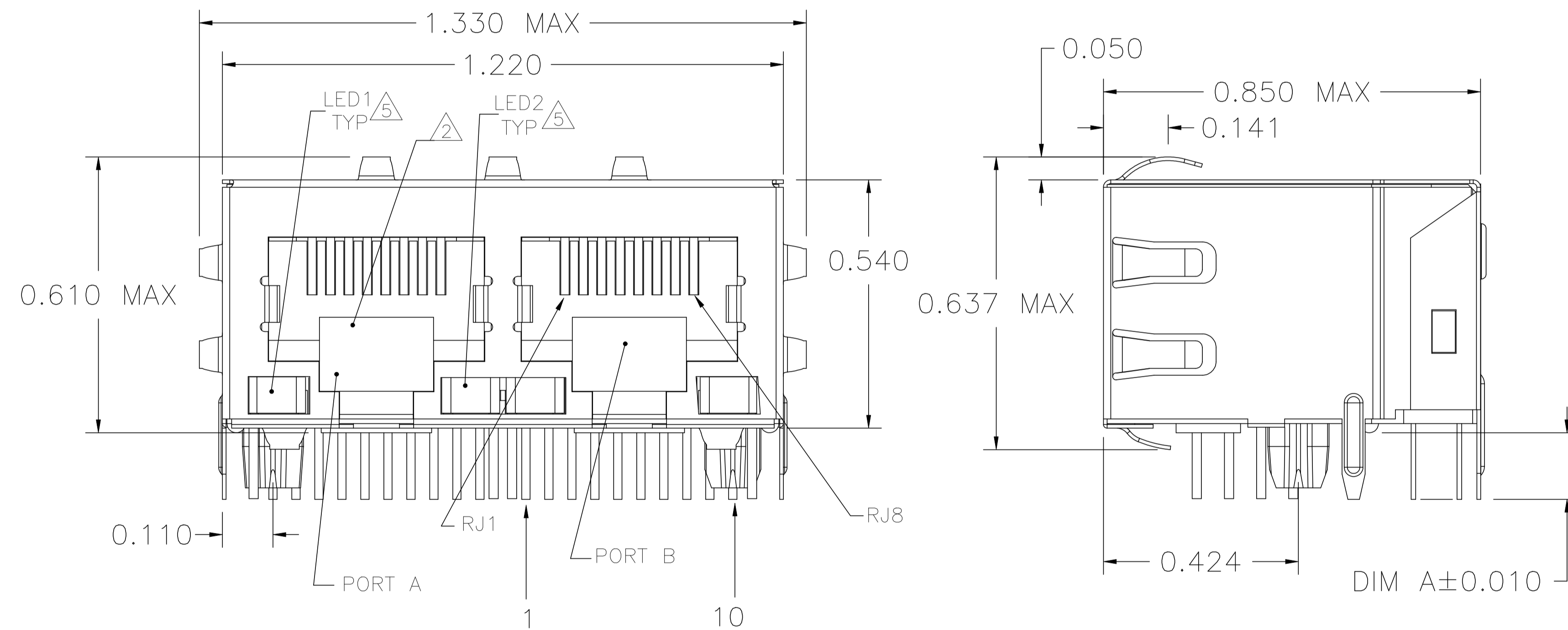
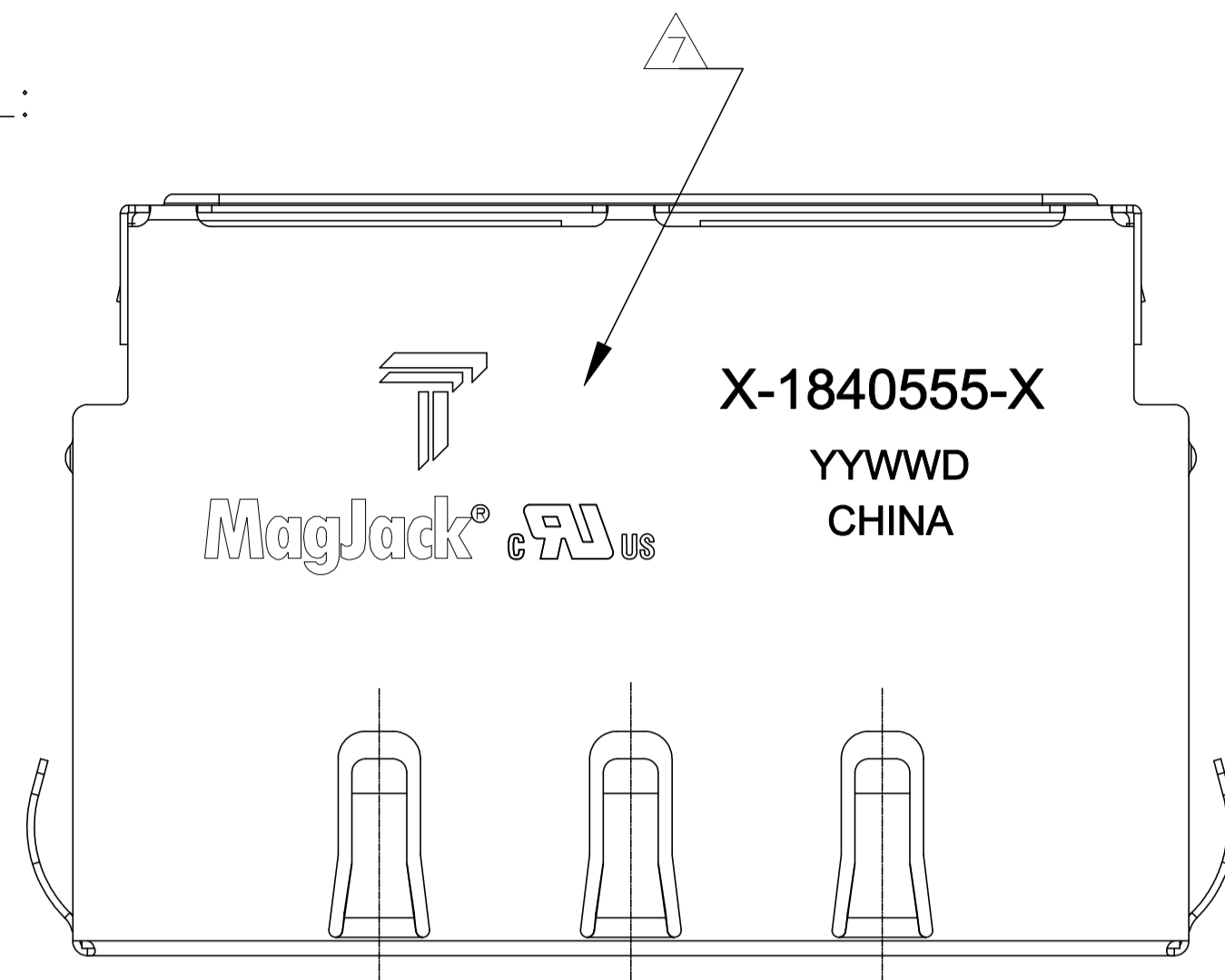
Tel: +86-755-8981 8866 Fax: +86-755-8427 6832

Email & Skype: info@chipsmall.com Web: www.chipsmall.com

Address: A1208, Overseas Decoration Building, #122 Zhenhua RD., Futian, Shenzhen, China



MECHANICAL:



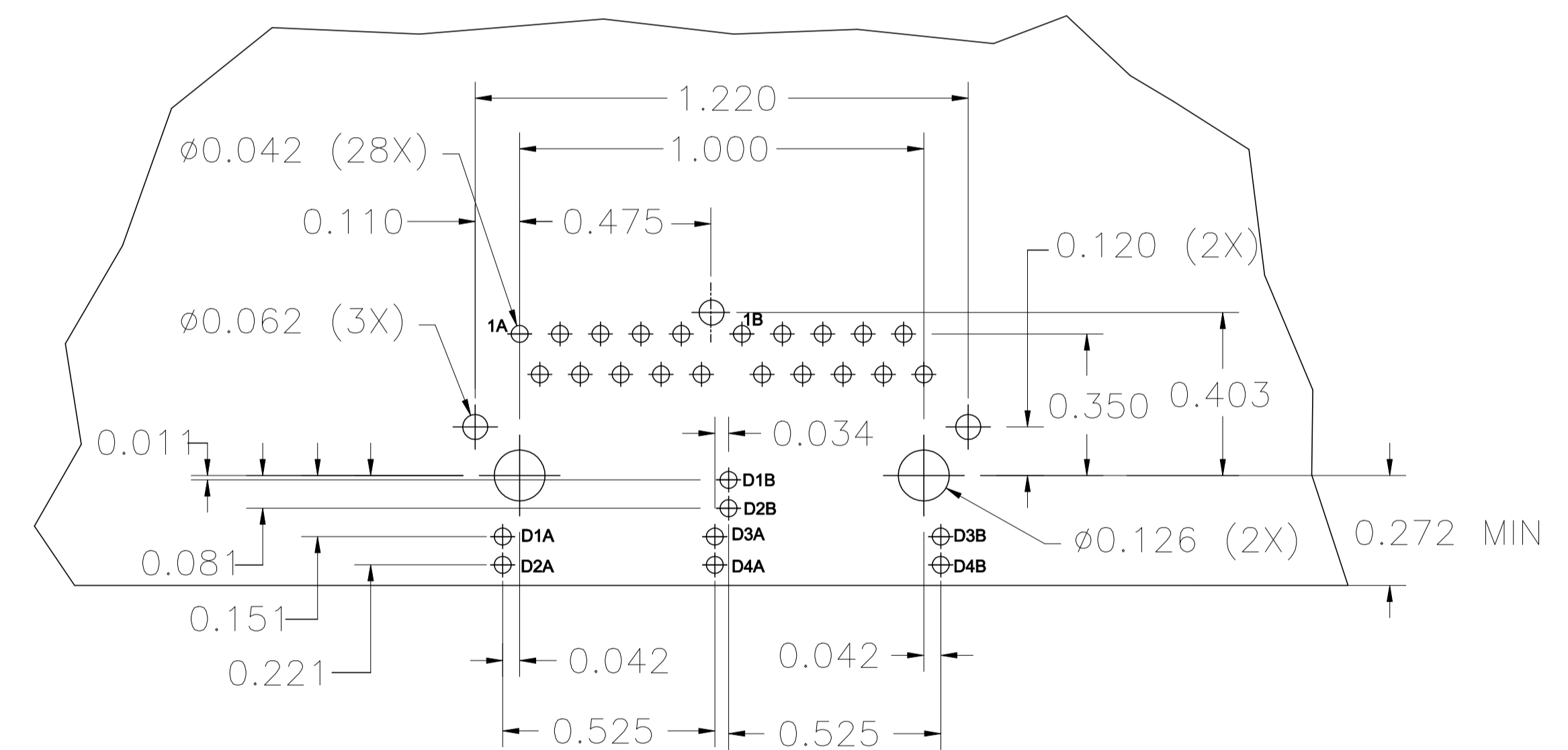
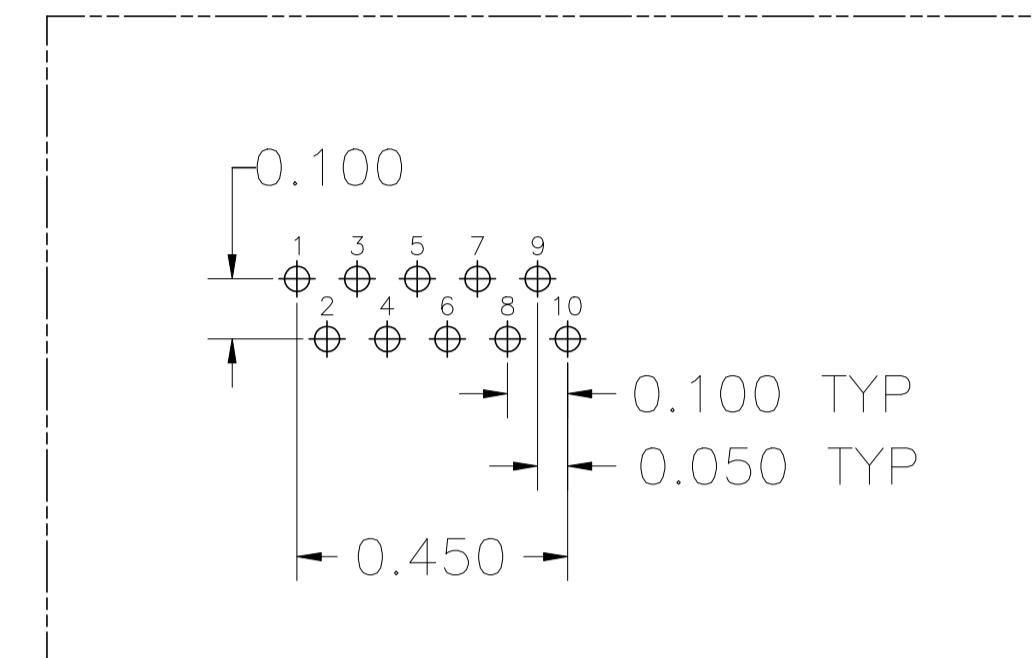
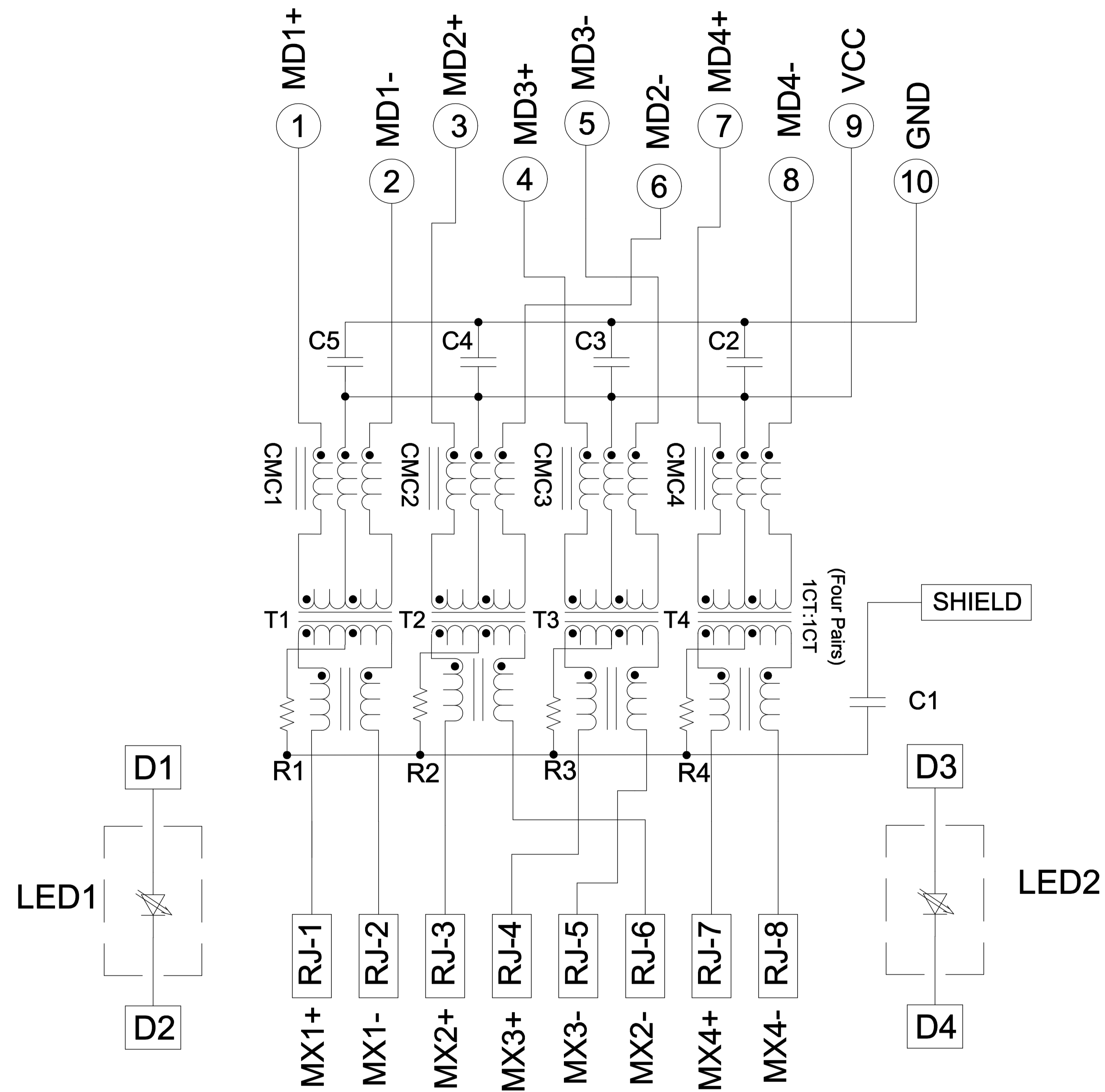
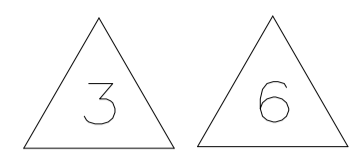
1X2 SUGGESTED PANEL CUTOUT

- 1. **MATERIALS:**
  - HOUSING - THERMOPLASTIC PBT POLYESTER FLAMMABILITY RATING UL 94V-0.
  - SHIELD - .008" THICK, C26800 BRASS PREPLATED WITH 30uINCH MIN SEMI-BRIGHT NICKEL. SOLDER TABS POST DIPPED WITH 100uINCH MIN SAC SOLDER.
  - MOD JACK CONTACTS - 0.0157 X 0.018" PHOSPHOR BRONZE, 50uINCH MIN OVERALL NICKEL UNDERPLATE WITH SELECT 50uINCH MIN HARD GOLD FINISH PLATE. SOLDER TAILS WITH 100uINCH MIN MATTE TIN AND/OR SAC SOLDER DIP.
  - LIGHT EMITTING DIODE(LED)-DIFFUSED EPOXY LENS, 0.020"X0.020" CARBON STEEL.WIREFRAME LEADS PREPLATED WITH 80uINCH SILVER OVER 40uINCH NICKEL UNDERPLATE OVER 40uINCH COPPER UNDERPLATE; POST-PLATED WITH 100uINCH MIN MATTE TIN AND/OR SAC SOLDER DIP OR PURE SOLDER DIP.
- 2. RJ45 JACK CAVITY CONFORMS TO FCC RULES AND REGULATIONS PART 68, SUB PART F.
- 3. **MAGNETICS**
  - APPLICATION: 10/100/1000 BASE-T
  - IMPEDANCE: 100 OHMS
  - TURNS RATIO (CHIP:CABLE): 1:1 ALL FOUR PAIRS
  - OPEN CIRCUIT INDUCTANCE (OCL): 350uH MIN @100kHz, 0.1VRMS, 8mADC BIAS FROM 0°C TO 70°C, ALL FOUR PAIRS
  - ALL FOUR PAIRS BI-DIRECTIONAL
  - PERFORMANCE @ 25°C:
    - INSERTION LOSS (IL): 1.1dB MAX FROM 0.5MHz TO 100MHz
    - RETURN LOSS (RL): 18dB MIN FROM 0.5MHz TO 40MHz
    - 12-20LOG(f/80)dB MIN FROM 40.1MHz TO 100MHz
    - CROSSTALK ATTENUATION: 35dB MIN FROM 0.5MHz TO 40MHz
    - 33-20LOG(f/50)dB MIN FROM 40.1MHz TO 100MHz
    - COMMON MODE REJECTION RATIO (CMRR): 30dB MIN FROM 0.5MHz TO 100MHz
  - ISOLATION VOLTAGE: COMPLIES WITH IEEE802.3 2002, PARA 40.6.1.1, ITEM b.
- 4. OPERATING TEMPERATURE: FROM 0°C to +70°C.
- 5. LED IS DRIVEN WITH CONSTANT CURRENT AT APPROX 20mA.  
LED COLOR: DOMINANT WAVELENGTH (λ D): GREEN 568 nm TYP. at IF=20mA  
FORWARD VOLTAGE (VF): GREEN 2.2V TYP. at IF=20mA
- 6. INDICATED MAGNETIC CONNECTIONS ARE SYMMETRICAL AND SUPPORT AUTO-MDIX.
- 7. TRP CONNECTOR LOGO, PART NUMBER, DATE CODE, COUNTRY OF ORIGIN AND AGENCY APPROVAL MARKING IN APPROXIMATE LOCATION SHOWN.
- 8. PART SHOULD BE RECOMMENDED FOR WAVE SOLDERING PROCESS, PEAK WAVE SOLDERING TEMPERATURE IS 260°C MAX, 10 SECONDS MAX.

0.115	GREEN	GREEN	1-1840555-7
0.145	GREEN	GREEN	1840555-7
DIM A	LED1	LED2	PART NUMBER
THIS DRAWING IS A CONTROLLED DOCUMENT. DWN: QUENTIN LIU 17JUL2008 CHK: VERN WANG 17JUL2008 APVD: TEDDY XIONG 17JUL2008			
DIMENSIONS: INCHES TOLERANCES UNLESS OTHERWISE SPECIFIED: 0 PLC ± - 1 PLC ± - 2 PLC ± .010 3 PLC ± .005 4 PLC ± - ANGLES ± -		MODEL NAME: MAGJACK DESC: 1X2 4G65P2 GIGABIT TAB DOWN W/ LED SIZE: A1 CAGE CODE: 1840555 CUSTOMER DRAWING	
PRODUCT SPEC: 108-2100	APPLICATION SPEC: -	SCALE: NTS	SHEET 1 OF 2 REV E

ELECTRICAL:

# 4G65P2 GIGABIT CIRCUIT



C1=1000 pF, 2kV CAPACITOR  
 R1-R4=75 OHMS, 5%, 1/16W RESISTORS  
 C2-C5=0.1uF, 10%, 50V CAPACITOR

THIS DRAWING IS A CONTROLLED DOCUMENT.		DWN: QUENTIN LIU 17JUL2008	DONGGUAN CHINA
DIMENSIONS: INCHES		CHK: VERN WANG 17JUL2008	
TOLERANCES UNLESS OTHERWISE SPECIFIED:		APVD: TEDDY XIONG 17JUL2008	
0 PLC ± - 1 PLC ± - 2 PLC ± .010 3 PLC ± .005 4 PLC ± - ANGLES ± -	PRODUCT SPEC 108-2100 APPLICATION SPEC -	MODEL NAME: MAGJACK GANG NON-POE	DESC: 1X2 4G65P2 GIGABIT TAB DOWN W/ LED SIZE: A1 CAGE CODE: - DRAWING NO: 1840555 RESTRICTED TO: -
CUSTOMER DRAWING		SCALE: NTS	SHEET 2 OF 2 REV E