



Chipsmall Limited consists of a professional team with an average of over 10 year of expertise in the distribution of electronic components. Based in Hongkong, we have already established firm and mutual-benefit business relationships with customers from,Europe,America and south Asia,supplying obsolete and hard-to-find components to meet their specific needs.

With the principle of “Quality Parts,Customers Priority,Honest Operation,and Considerate Service”,our business mainly focus on the distribution of electronic components. Line cards we deal with include Microchip,ALPS,ROHM,Xilinx,Pulse,ON,Everlight and Freescale. Main products comprise IC,Modules,Potentiometer,IC Socket,Relay,Connector.Our parts cover such applications as commercial,industrial, and automotives areas.

We are looking forward to setting up business relationship with you and hope to provide you with the best service and solution. Let us make a better world for our industry!



Contact us

Tel: +86-755-8981 8866 Fax: +86-755-8427 6832

Email & Skype: info@chipsmall.com Web: www.chipsmall.com

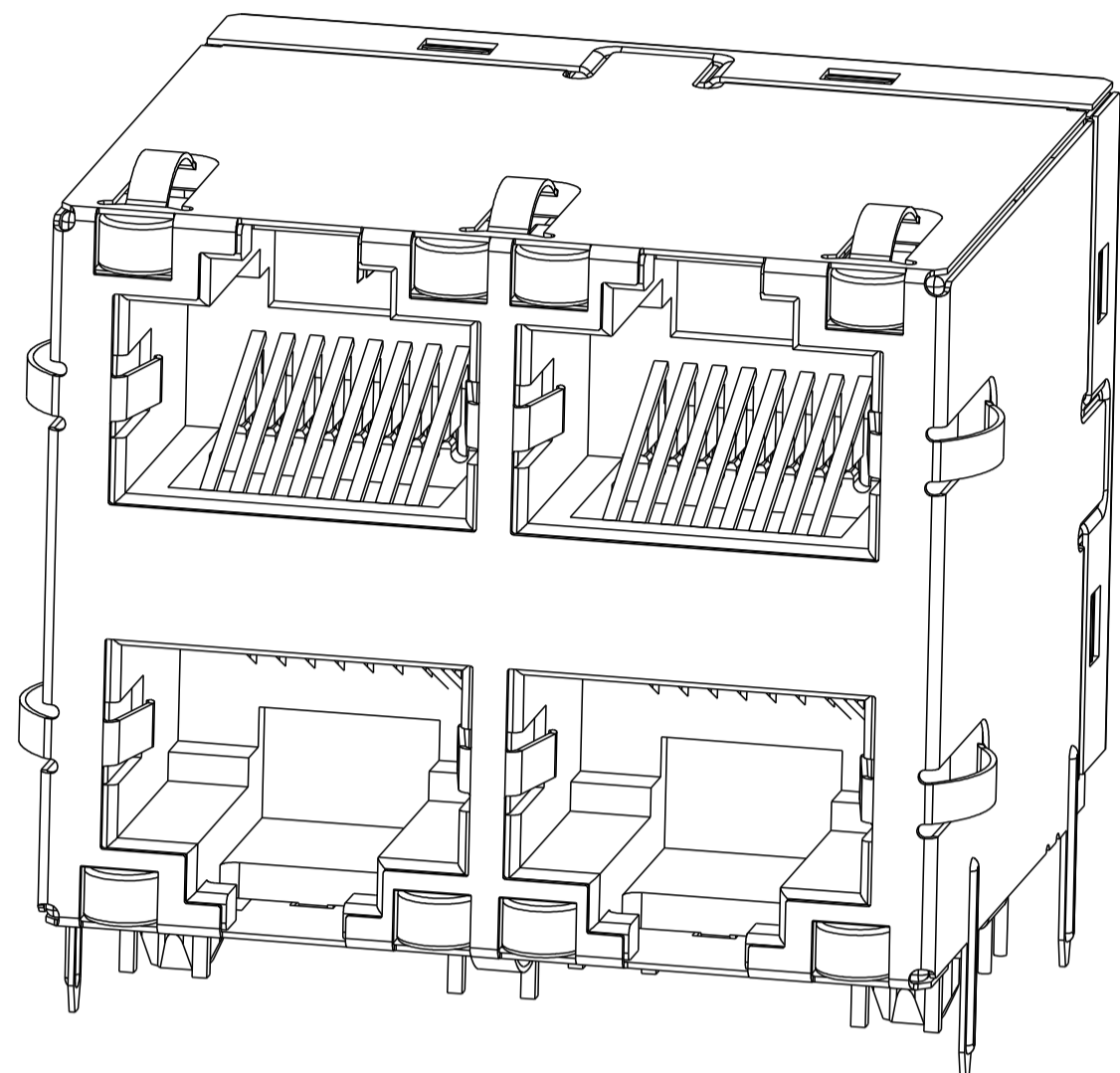
Address: A1208, Overseas Decoration Building, #122 Zhenhua RD., Futian, Shenzhen, China



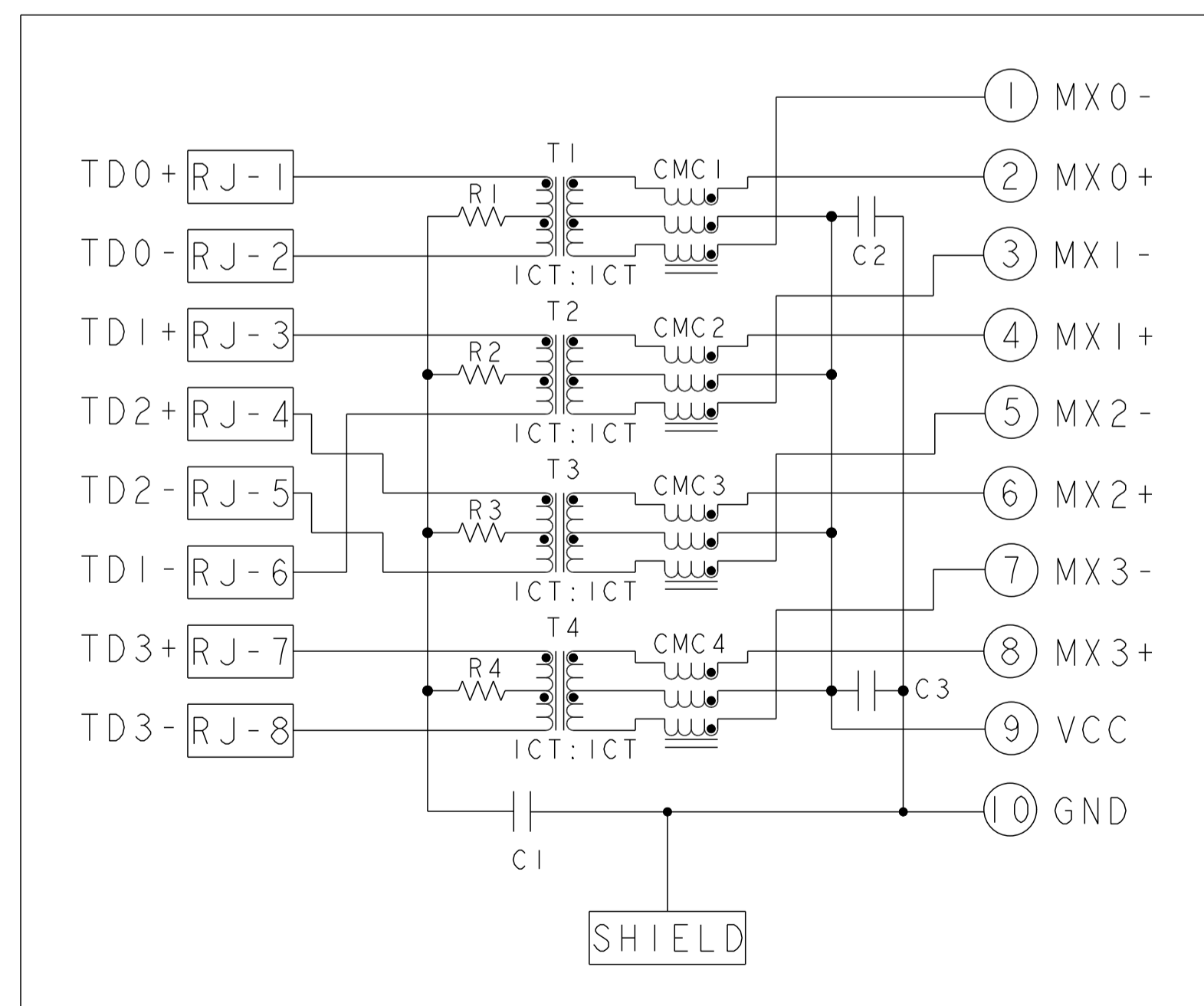
THIS DRAWING AND THE SUBJECT MATTER SHOWN THEREON ARE CONFIDENTIAL AND THE PROPERTY OF BEL/STEWART/TRP CONNECTOR AND SHALL NOT BE REPRODUCED, COPIED, OR USED IN ANY MANNER WITHOUT THE WRITTEN CONSENT OF TRP CONNECTOR.

PRODUCT MAY BE PROTECTED BY ONE OR MORE OF THE FOLLOWING US PATENTS:
 5736910 5939955 6425781 6428361 6554638 6840817 7123117
 7429195 7717749 7808751 6217391 6149050 7924130

REVISIONS					
P	LTR	DESCRIPTION	DATE	DRW	APPV
E		EC-1411035 COMPANY LOGO CHANGE	18DEC2014	GZ	TY



S8G56 GIGABIT CIRCUIT
 TOP AND BOTTOM PORTS



C1 = 1000pF, 2kV CAPACITOR
 C2 - C3 = 10nF, 50V CCAPACITORS
 R1-R4 = 75 Ohms, 1/16 W, RESISTORS

- 1. MATERIALS:
 PLASTIC HOUSING: BLACK, THERMOPLASTIC FLAMMABILITY RATING UL 94V-0
 SHIELD: BRASS, PREPLATED WITH 0.76um MIN SEMI-BRIGHT NICKEL, POST DIPPED WITH 2.54um MIN SAC SOLDER OR PURE TIN SOLDER ON SOLDER TAILS
 CONTACTS: PHOSPHOR BRONZE, 1.27um MIN OVERALL NICKEL UNDERPLATE WITH SELECTED 1.27um MIN GOLD OR WITH SELECT 0.05um MIN GOLD OVER 0.76um MIN PALLADIUM-NICKEL AT MATING INTERFACE AND 2.54um MIN MATTE TIN ON SOLDER TAILS.
 LED: DIFFUSED EPOXY LENS, CARBON STEEL LEAD FRAME TAILS OF LED ARE PREPLATED WITH 2.03um MIN SILVER OVER 1.02um MIN NICKEL UNDERPLATE OVER 1.02um MIN COPPER UNDERPLATE, POST-PLATED WITH 2.54um MIN MATTE TIN AND/OR SAC SOLDER DIP OR PURE TIN SOLDER DIP

- MAGNETICS
 APPLICATION: 10/100/1000 BASE-T
 IMPEDANCE: 100 OHMS
 TURNS RATIO (CHIP:CABLE): 1:1 ALL FOUR PAIRS
 OPEN CIRCUIT INDUCTANCE (OCL): 350uH MIN @100kHz, 0.1VRMS, 8mADC BIAS FROM 0°C TO 70°C, ALL FOUR PAIRS
 ALL FOUR PAIRS BI-DIRECTIONAL
 PERFORMANCE @ 25°C:
 INSERTION LOSS (IL): 1.1dB MAX FROM 0.5MHz TO 100MHz
 RETURN LOSS (RL): 18dB MIN FROM 0.5MHz TO 40MHz
 12-20LOG(f/80)dB MIN FROM 40.1MHz TO 100MHz
 CROSSTALK ATTENUATION: 35dB MIN FROM 0.5MHz TO 40MHz
 33-20LOG(f/50)dB MIN FROM 40.1MHz TO 100MHz
 COMMON MODE REJECTION RATIO (CMRR): 30dB MIN FROM 0.5MHz TO 100MHz
 ISOLATION VOLTAGE: 2250VDC(MAX) FOR 60 SECONDS WITH A RISE TIME OF 500V/SEC AND WITH ALL PORTS CONNECTED.

PART NUMBER, DATE CODE AND COUNTRY OF ORIGIN ARE LOCATED IN APPROXIMATE AREA SHOWN. DATE CODE: "YY" IS YEAR, "WW" IS WORK WEEK, "D" IS DAY OF WEEK, WITH SUNDAY=1

TRP CONNECTOR LOGO AND AGENCY APPROVAL LOGO ARE LOCATED IN APPROXIMATE AREA SHOWN.

5. OPERATING TEMP: FROM 0°C TO +70°C.

6. RJ45 CAVITY CONFORMS TO FCC RULES AND REGULATION PART 68 SUBPART F.

INDICATED MAGNETIC CONNECTIONS ARE SYMMETRICAL AND SUPPORT AUTO-MDI/MDIX.

DATUM AND BASIC DIMENSION ESTABLISHED BY CUSTOMER.

BASIC DIMENSION ESTABLISHED BY CUSTOMER, BUT MAY NOT BE GREATER THAN 5.08mm.

LEDs ARE DRIVEN WITH CONSTANT CURRENT AT APPROX 20mA
 LED COLOR: DOMINANT WAVELENGTH (λD): GREEN 568 nm TYP. @ IF=20mA
 FORWARD VOLTAGE (VF): GREEN 2.2V TYP. @ IF=20mA
 DOMINANT WAVELENGTH (λD): YELLOW 588 nm TYP. @ IF=20mA
 FORWARD VOLTAGE (VF): YELLOW 2.1V TYP. @ IF=20mA

11. THE PARTS ARE RECOMMENDED FOR WAVE SOLDERING PROCESS, PEAK TEMPERATURE 260°C MAX, 10 SECONDS MAX.

4.06	GRN/YEL	GRN/YEL	GRN/YEL	GRN/YEL	GRN/YEL	1-1840697-4
3.04	GRN/YEL	GRN/YEL	GRN/YEL	GRN/YEL	GRN/YEL	1840697-4
3.04	GREEN	YELLOW	GREEN	YELLOW	YELLOW	1840697-3
3.04	GREEN	GREEN	GREEN	GREEN	GREEN	1840697-1
DIM A	BOTTOM LED 2	BOTTOM LED 1	TOP LED 2	TOP LED 1		PART NUMBER

THIS DRAWING IS A CONTROLLED DOCUMENT.

DRW: TOMMY REN/CHEN MA 08MAR2012	 trp CONNECTOR a belgroup DONGGUAN CHINA
CHK: TONY YUAN 08MAR2012	
APPR: KEITH ZHU 08MAR2012	
MODEL NAME: MAGJACK	

PRODUCT SPEC: 108-104004

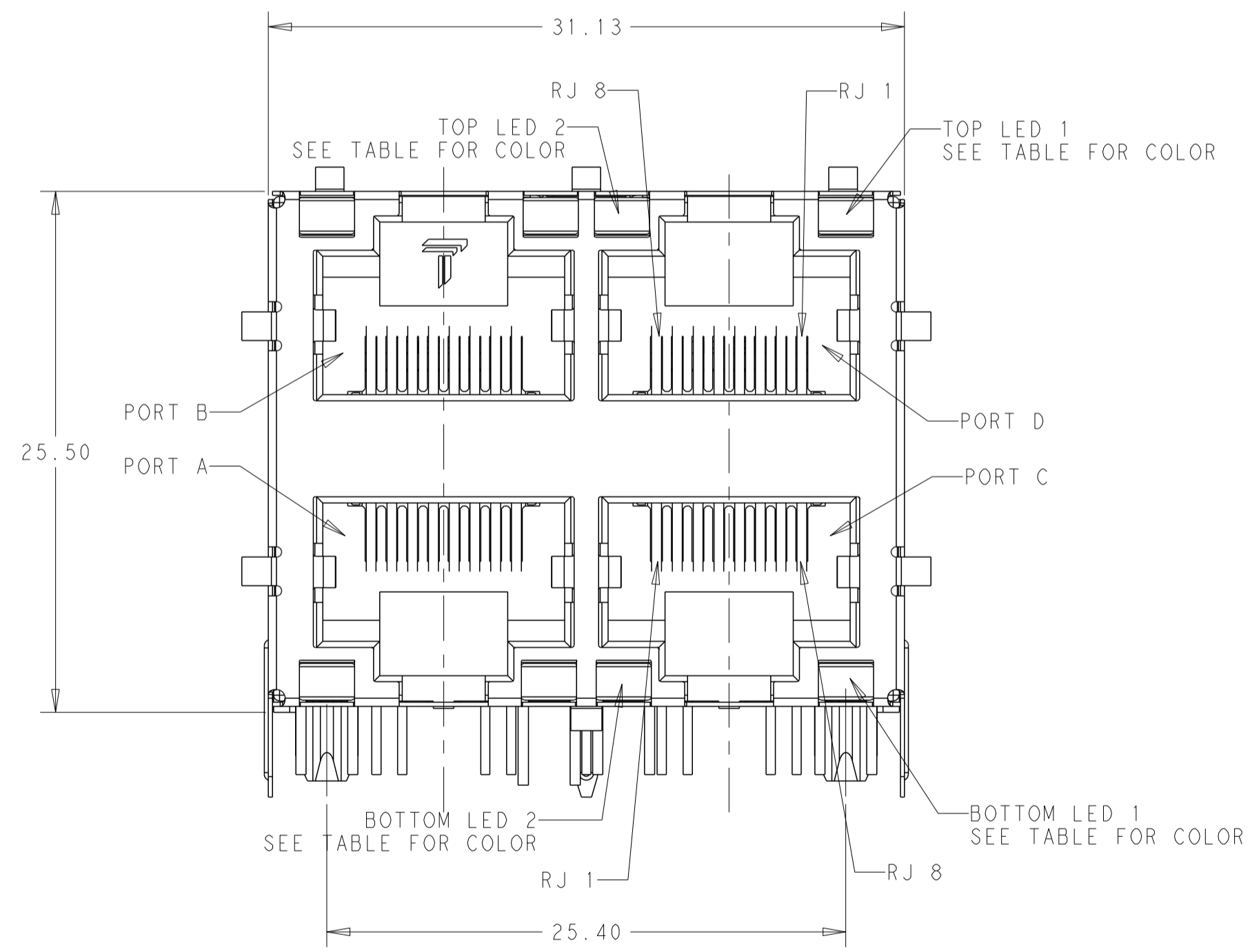
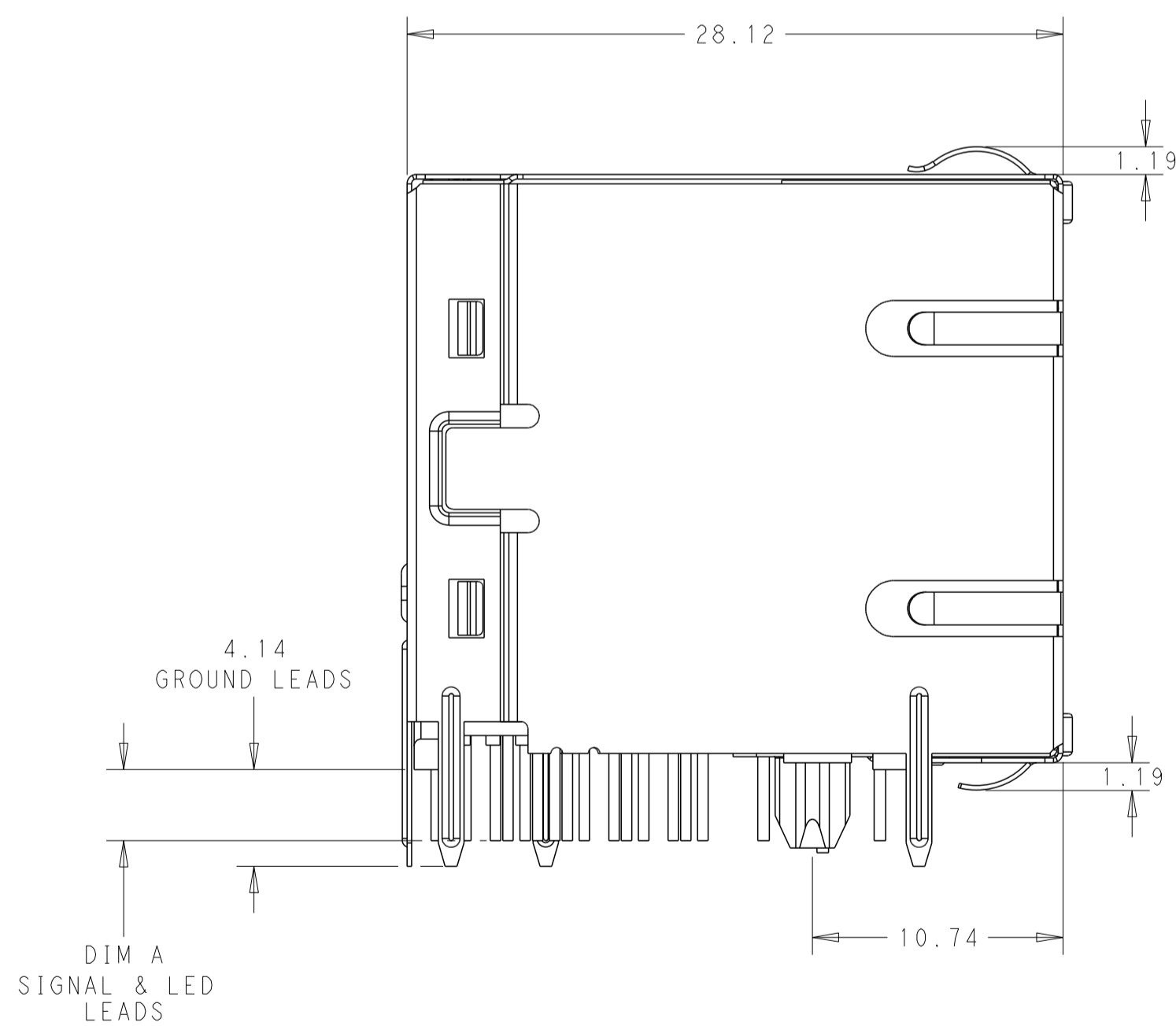
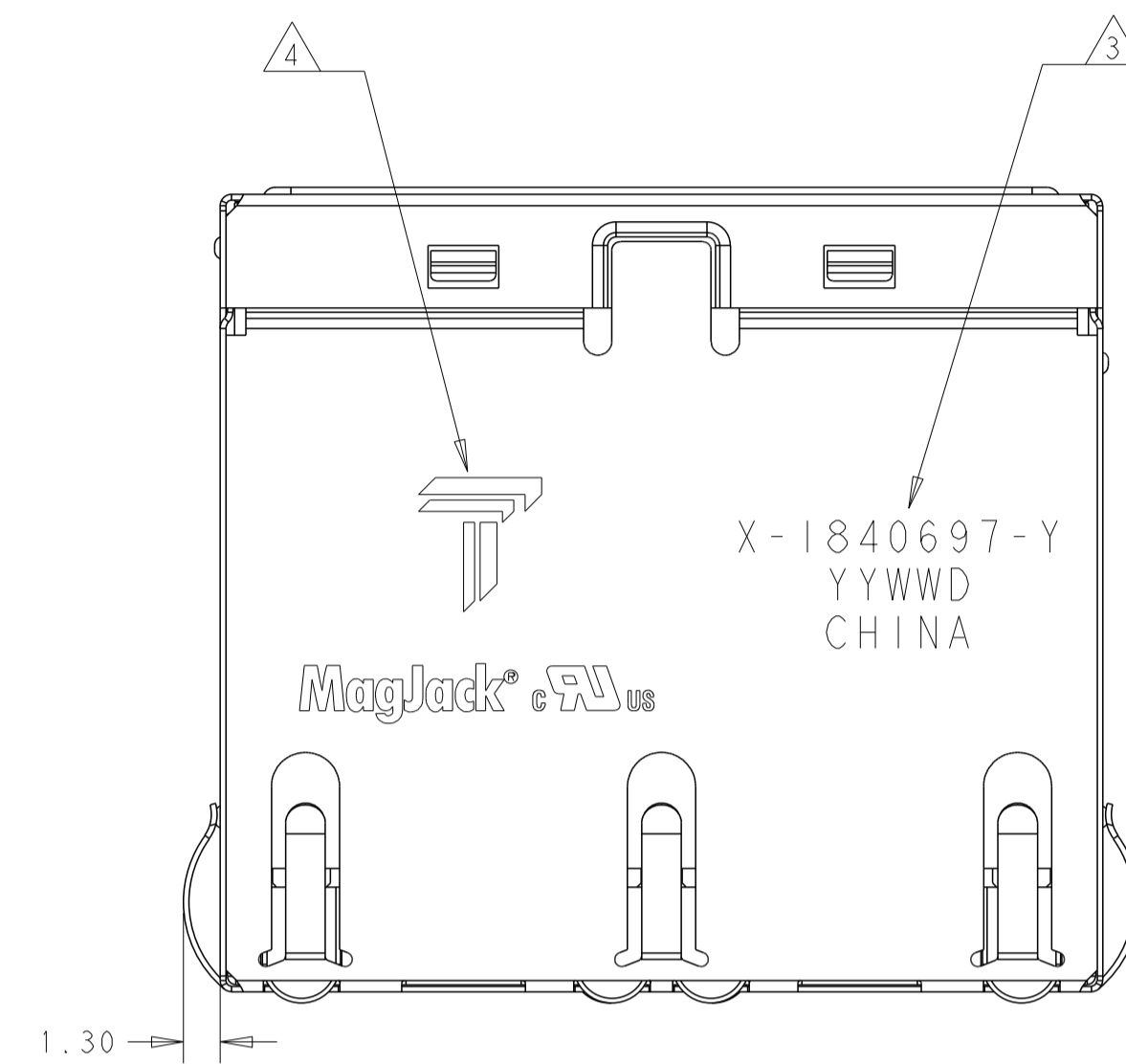
SIZE: A1

CAGE CODE: 1840697

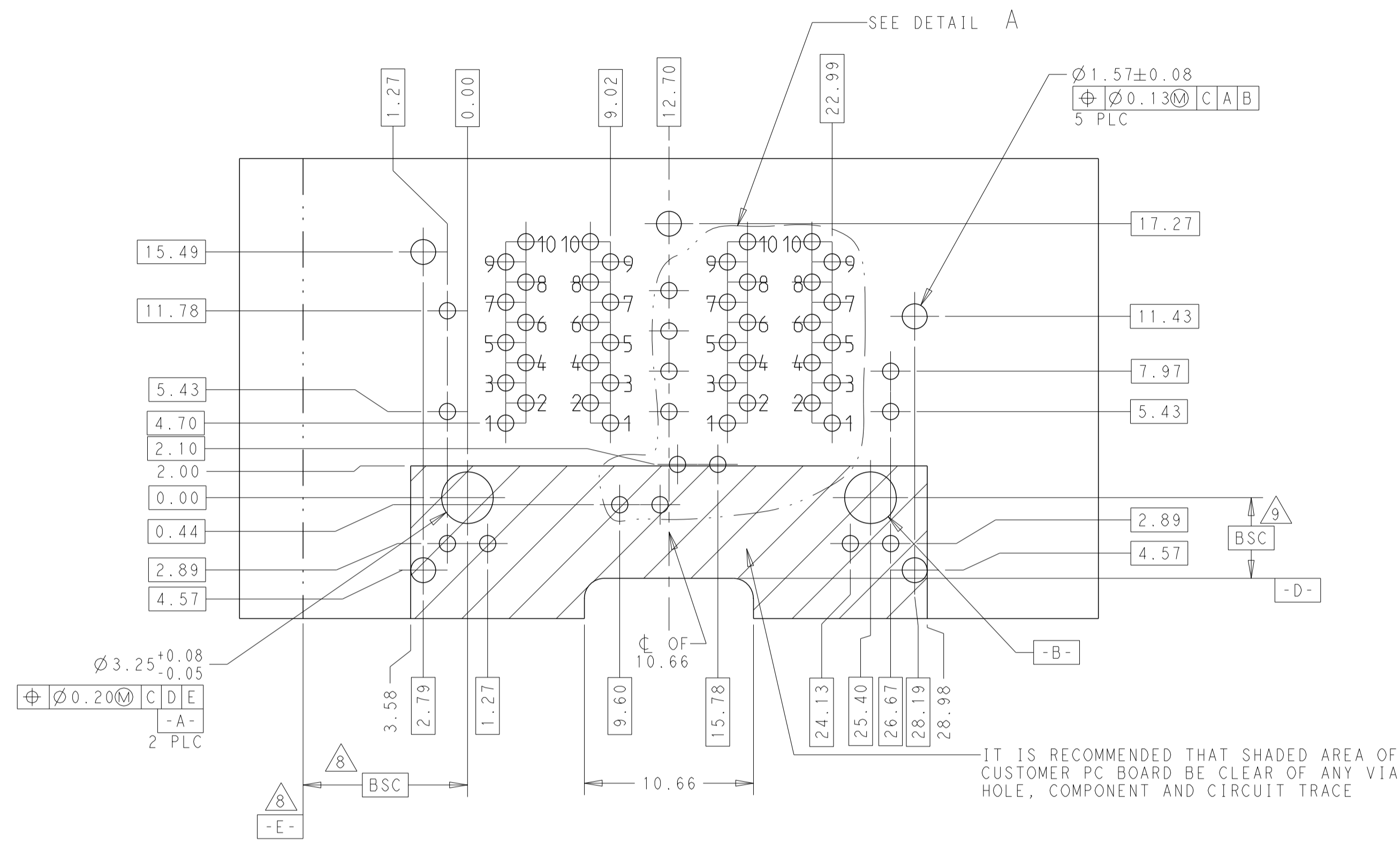
SCALE: 4:1

SHEET 1 OF 4

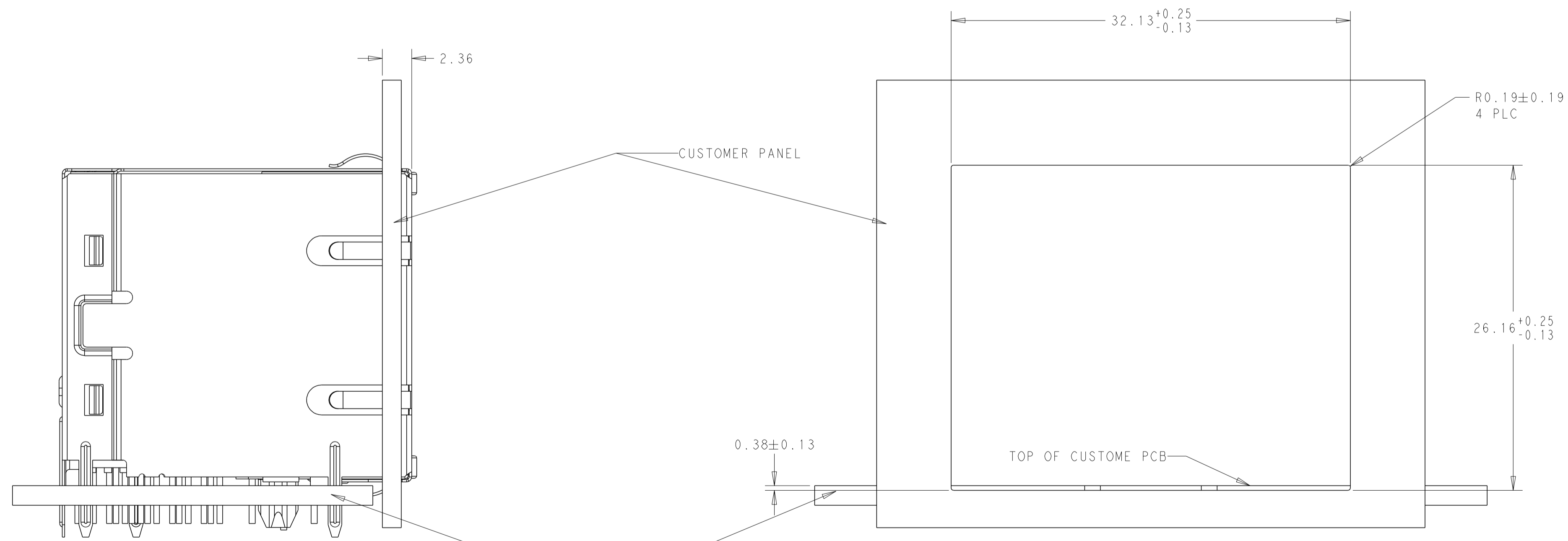
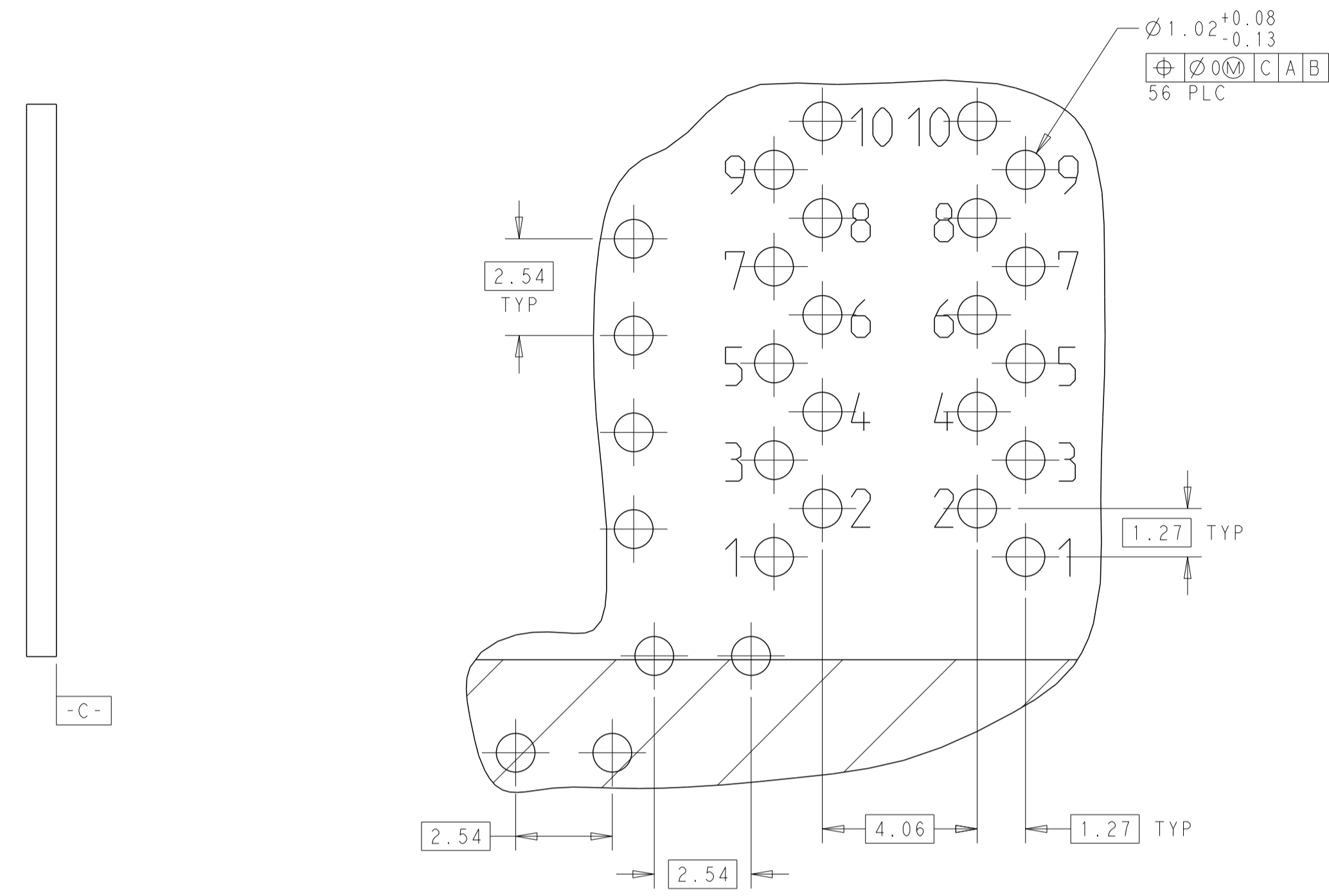
REV E



THIS DRAWING IS A CONTROLLED DOCUMENT.		DWN: 08MAR2012 TOMMY REN/YUAN MA CHK: 08MAR2012 TONY YUAN APVD: 08MAR2012 KEITH ZHU MODEL NAME:	DONGGUAN CHINA
DIMENSIONS: mm 	TOLERANCES UNLESS OTHERWISE SPECIFIED: 0 PLC ±0.25 1 PLC ±0.25 2 PLC ±0.25 3 PLC ±0.25 4 PLC ± ANGLES ± APPLICATION SPEC ±	MODEL NAME: MAGJACK STACK Non-PoE	
PRODUCT SPEC: 108-104004	APPLICATION SPEC:	SIZE: A1 CAGE CODE: C=1840697 CUSTOMER DRAWING	RESTRICTED TO: - SCALE: 4:1 SHEET 2 OF 4 REV E



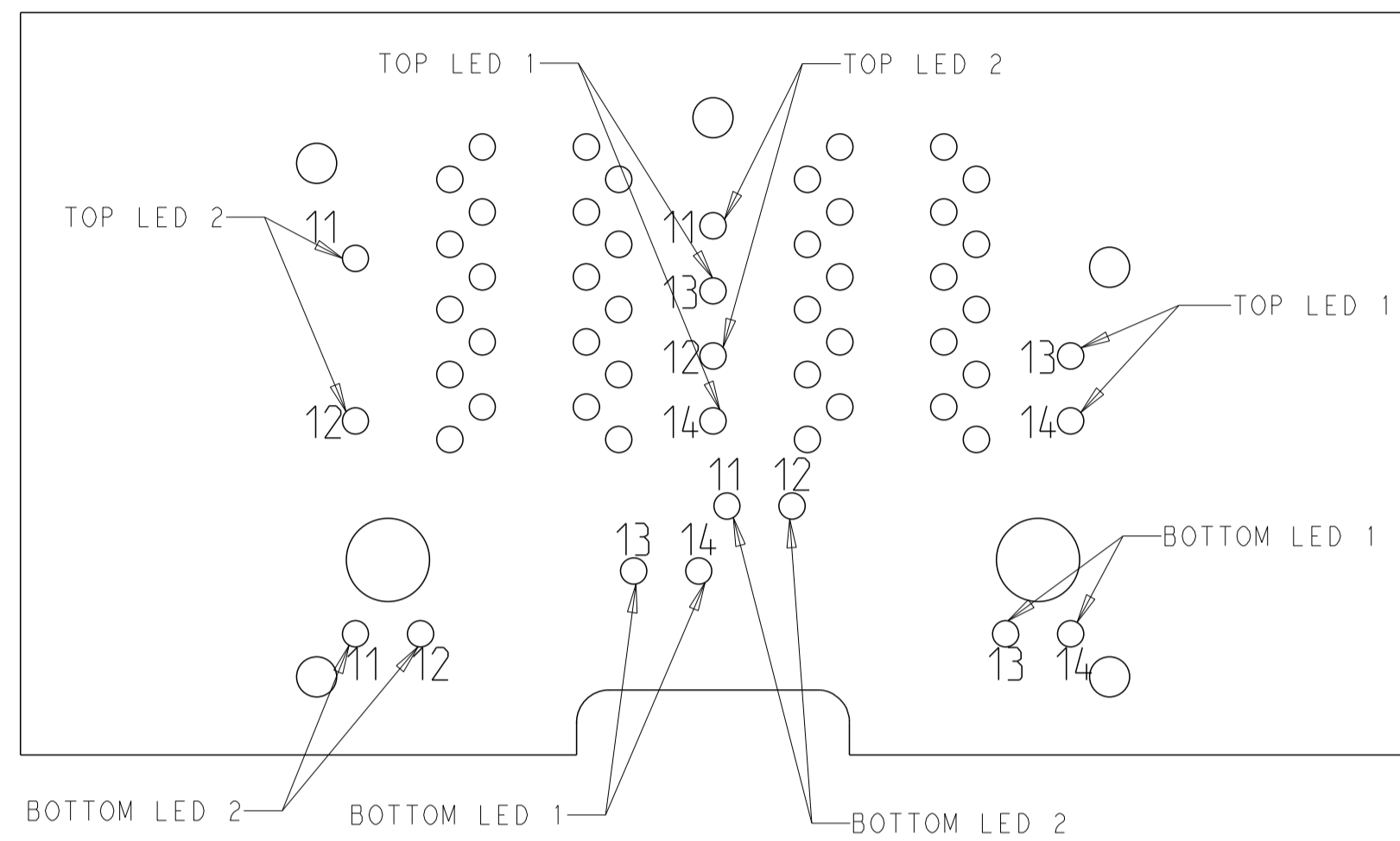
RECOMMENDED PCB LAYOUT COMPONENT SIDE VIEW



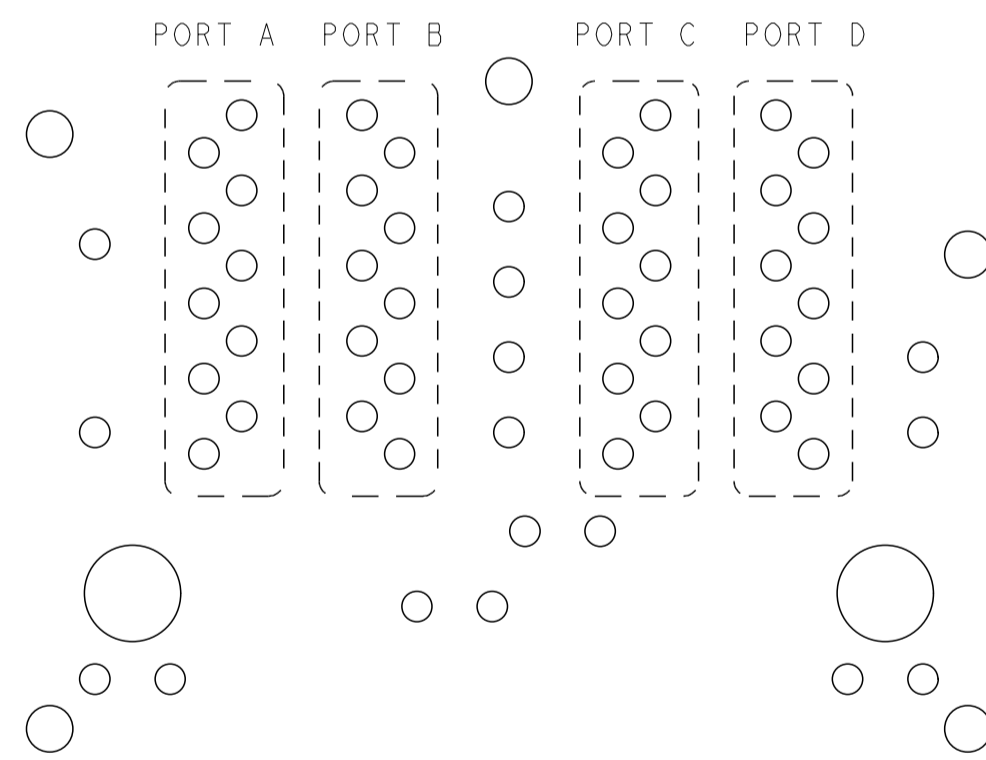
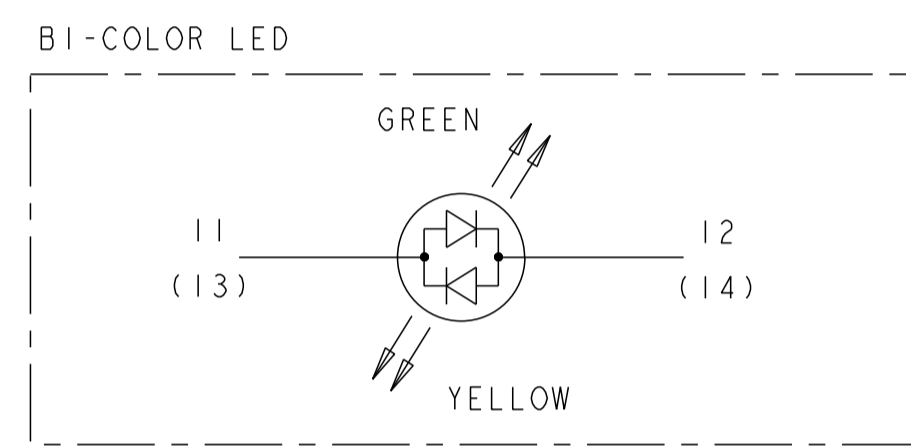
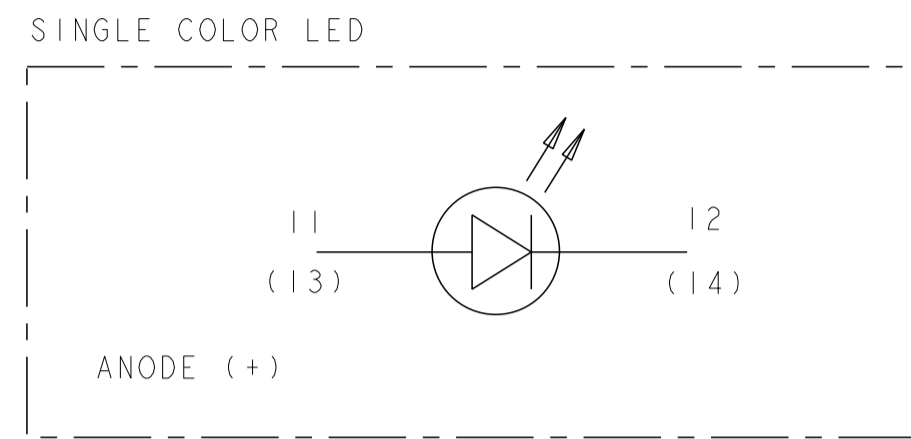
SHOWN WITH PANEL AND CUSTOMER PCB ASSEMBLY

SUGGESTED PANEL CUTOUT DIMENSIONS


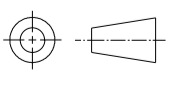
THIS DRAWING IS A CONTROLLED DOCUMENT.		DATE: 08MAR2012	trp CONNECTOR <small>a bel group</small>	DONGGUAN CHINA
DIMENSIONS: mm		CHK: TOMMY REN/EVAN MA 08MAR2012		
TOLERANCES UNLESS OTHERWISE SPECIFIED:		APPROV: KEITH ZHU 08MAR2012	DESC: 2X2 S8G56 GIGABIT W/ LED	
		MODEL NAME: MAGJACK	SIZE: A1	CAGE CODE: C=1840697
PRODUCT SPEC: 108-104004		APPLICATION SPEC: -	RESTRICTED TO: -	
CUSTOMER DRAWING			SCALE: 4:1	SHEET 3 OF 4 REV E



LED HOLE DESIGNATIONS
VIEWED FROM COMPONENT SIDE



PORT ASSIGNMENT
COMPONENT SIDE VIEW

THIS DRAWING IS A CONTROLLED DOCUMENT.		DWG: 08MAR2012 TOMMY REN/EVAN MA		 trp CONNECTOR a bel group DONGGUAN CHINA
DIMENSIONS: mm		CHK: 08MAR2012 TONY YUAN		
		APPROV: 08MAR2012 KEITH ZHU		DESC: 2X2 S8G56 GIGABIT W/ LED
PRODUCT SPEC 108-104004		MODEL NAME MAGJACK STACK Non-PoE		SIZE: A1 CAGE CODE: C=1840697 DRAWING NO: RESTRICTED TO: -
TOLERANCES UNLESS OTHERWISE SPECIFIED:		APPLICATION SPEC		SCALE: 4:1 SHEET 4 OF 4 REV E
0 PLC ±0.25				
1 PLC ±0.25				
2 PLC ±0.25				
3 PLC ±				
4 PLC ±				
ANGLES ±				