



Chipsmall Limited consists of a professional team with an average of over 10 year of expertise in the distribution of electronic components. Based in Hongkong, we have already established firm and mutual-benefit business relationships with customers from,Europe,America and south Asia,supplying obsolete and hard-to-find components to meet their specific needs.

With the principle of "Quality Parts,Customers Priority,Honest Operation,and Considerate Service",our business mainly focus on the distribution of electronic components. Line cards we deal with include Microchip,ALPS,ROHM,Xilinx,Pulse,ON,Everlight and Freescale. Main products comprise IC,Modules,Potentiometer,IC Socket,Relay,Connector.Our parts cover such applications as commercial,industrial, and automotives areas.

We are looking forward to setting up business relationship with you and hope to provide you with the best service and solution. Let us make a better world for our industry!



Contact us

Tel: +86-755-8981 8866 Fax: +86-755-8427 6832

Email & Skype: info@chipsmall.com Web: www.chipsmall.com

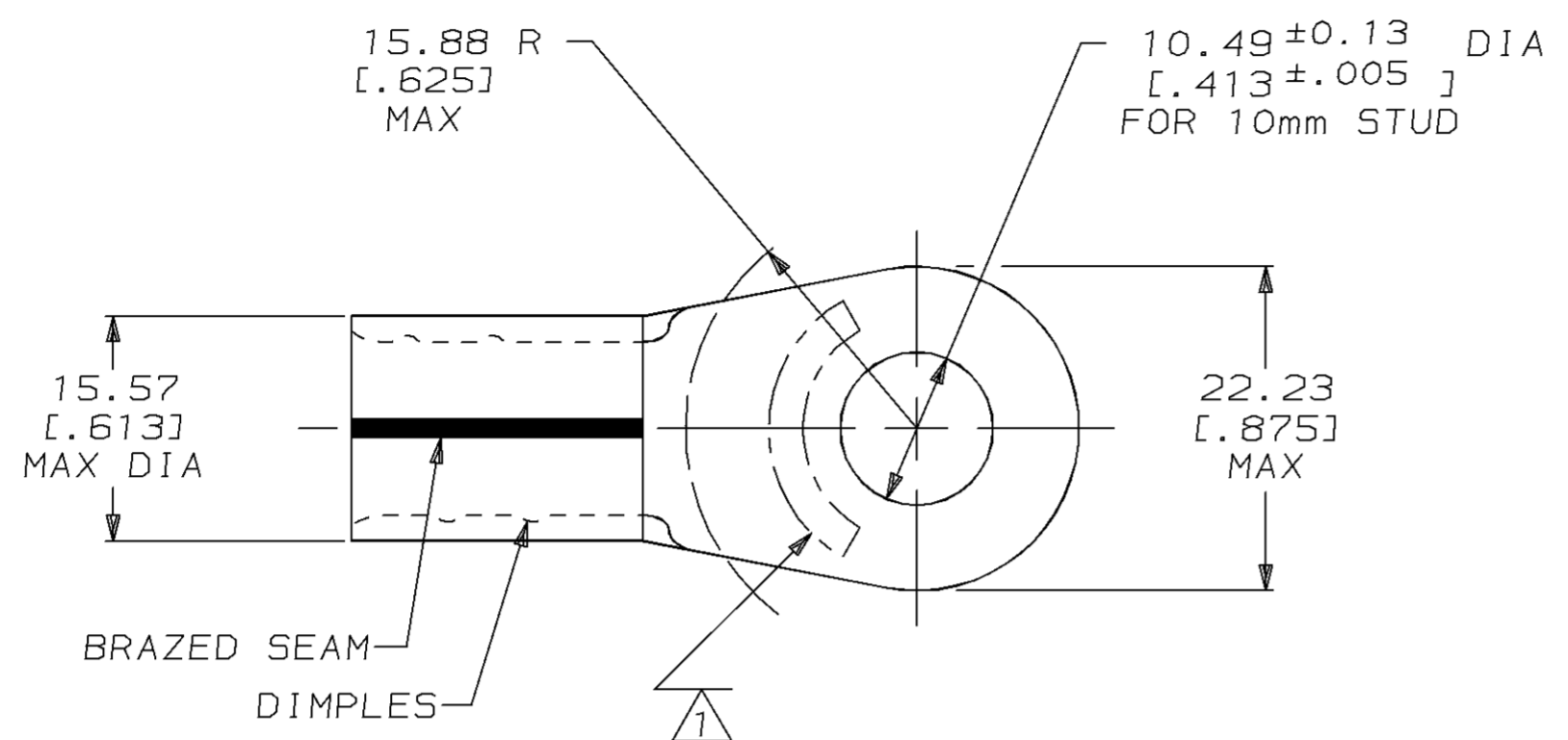
Address: A1208, Overseas Decoration Building, #122 Zhenhua RD., Futian, Shenzhen, China



THIS DRAWING IS UNPUBLISHED. RELEASED FOR PUBLICATION, 19 .
 © COPYRIGHT 19 BY AMP INCORPORATED. ALL INTERNATIONAL RIGHTS RESERVED.

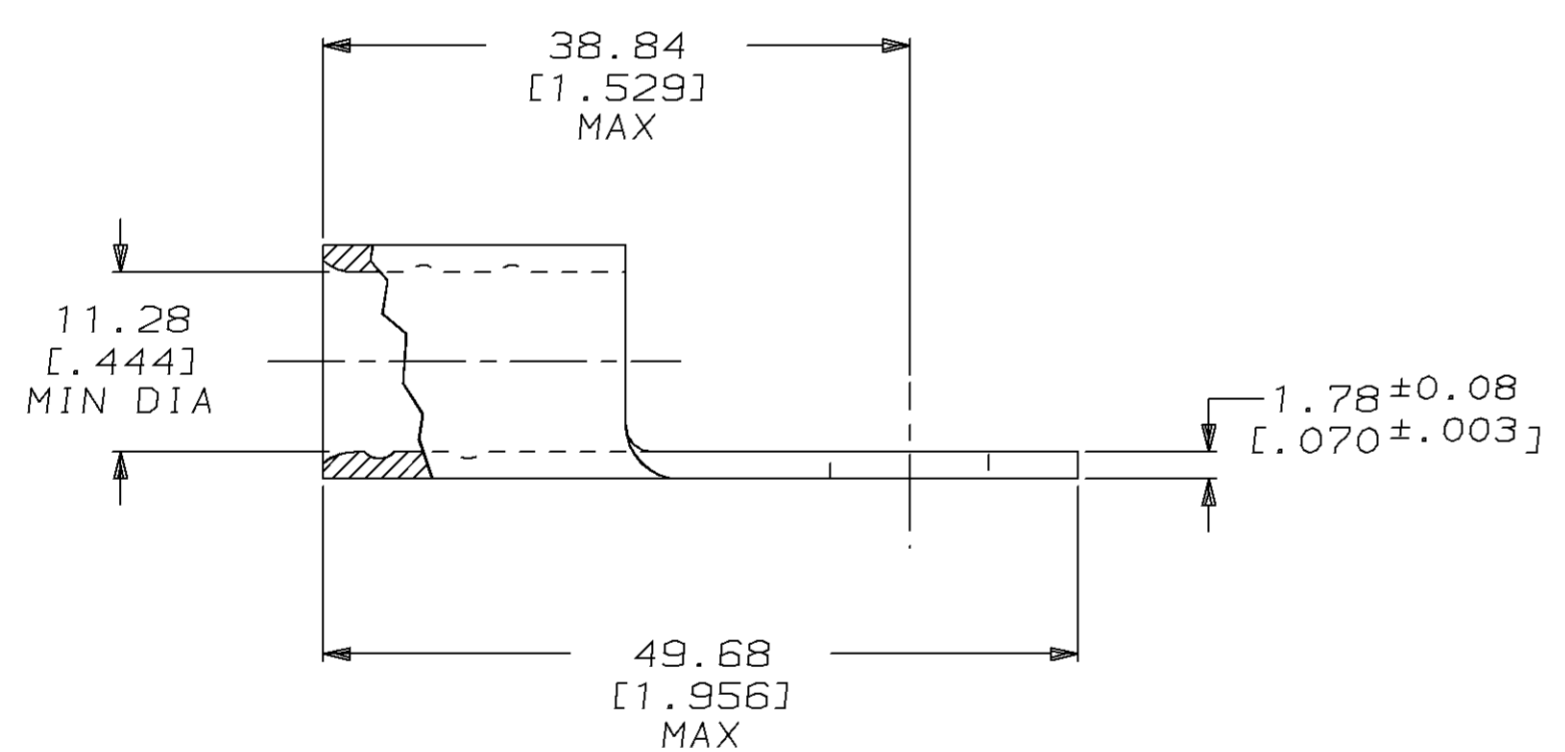
LOC	DIST	P	F	ZONE	LTR	DESCRIPTION	DATE	APPD
G	14				A	REVISED PER 0720-0465-95	02MAR95	OKS AJK

METRIC
 DIMENSIONS LISTED IN mm [INCHES]



AMP WIRE RANGE	UL E13288 Listed
1/0 AWG SOLID OR STRANDED	1/0 AWG STRANDED
SR LR7189 Certified	MILITARY P/N AND CLASS
1/0 AWG SOLID OR STRANDED	NOT APPLICABLE

1 STAMP AMP 1/0W* APPROX AS SHOWN



184070-1
 PART NO

AMP INCORPORATED
 CUSTOMER SERVICE SYSTEMS

MAX RECOMMENDED OPERATING TEMPERATURE:
 170°C MAX

DO NOT SCALE PRINT. UNLESS SPECIFIED DIMENSIONS IN mm [INCHES]— TOLERANCES ON :
 2 PLC DEC ± -
 3 PLC DEC ± -
 ANGLES ± -
 MATERIAL
 COPPER PER ASTM B-152 ANNEALED
 FINISH
 TIN PLATE 0.00254 [0.00100] MIN THK PER MIL-T-10727

DR 03NOV94 DK SCHRUM
 CHK 08NOV94 AJ KAUFMAN
 APPD 08NOV94 RE ROSER
 APPD 08NOV94 JL MECKLEY
 PRODUCT SPEC -
 APPLICATION SPEC -
 WEIGHT -

AMP AMP Incorporated
 Harrisburg, PA 17105-3608
 NAME
TERMINAL, RING TONGUE, SOLISTRAND™
 SIZE C CAGE CODE 00779 DRAWING NO C=184070
 SCALE 2:1 SHEET 1 OF 1

FOR ADDITIONAL PRODUCT INFORMATION OR COPIES OF DRAWINGS AND TECHNICAL DOCUMENTS
 FOR APPLICATION TOOLING INFORMATION
 FOR ORDER ENTRY

PRODUCT INFORMATION CENTER 1-800-522-6752
 TOOLING ASSISTANCE CENTER 1-800-722-1111
 1-800-526-5142

VOLTAGE RATING:
 NOT APPLICABLE
 WIRE CROSS SECTIONAL AREA RANGE:
 42.4-60.6mm² [83,700-119,500] CIR MILS
 SOLID OR STRANDED
 THIS DRAWING IS A CONTROLLED DOCUMENT FOR AMP INCORPORATED. IT IS SUBJECT TO CHANGE AND THE CONTROLLING ENGINEERING ORGANIZATION SHOULD BE CONTACTED FOR THE LATEST REVISION.