



Chipsmall Limited consists of a professional team with an average of over 10 year of expertise in the distribution of electronic components. Based in Hongkong, we have already established firm and mutual-benefit business relationships with customers from,Europe,America and south Asia,supplying obsolete and hard-to-find components to meet their specific needs.

With the principle of “Quality Parts,Customers Priority,Honest Operation,and Considerate Service”,our business mainly focus on the distribution of electronic components. Line cards we deal with include Microchip,ALPS,ROHM,Xilinx,Pulse,ON,Everlight and Freescale. Main products comprise IC,Modules,Potentiometer,IC Socket,Relay,Connector.Our parts cover such applications as commercial,industrial, and automotives areas.

We are looking forward to setting up business relationship with you and hope to provide you with the best service and solution. Let us make a better world for our industry!



## Contact us

Tel: +86-755-8981 8866 Fax: +86-755-8427 6832

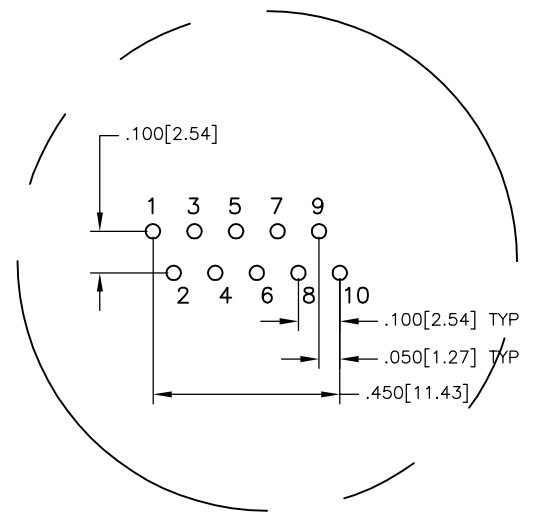
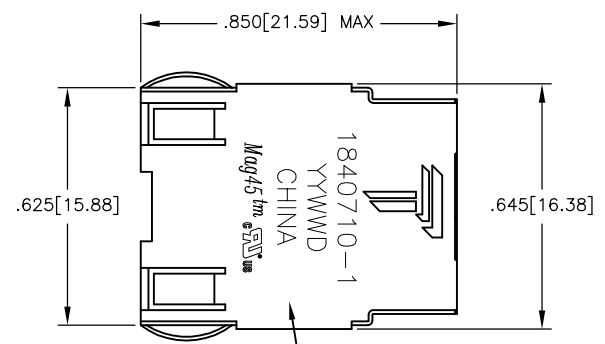
Email & Skype: info@chipsmall.com Web: www.chipsmall.com

Address: A1208, Overseas Decoration Building, #122 Zhenhua RD., Futian, Shenzhen, China



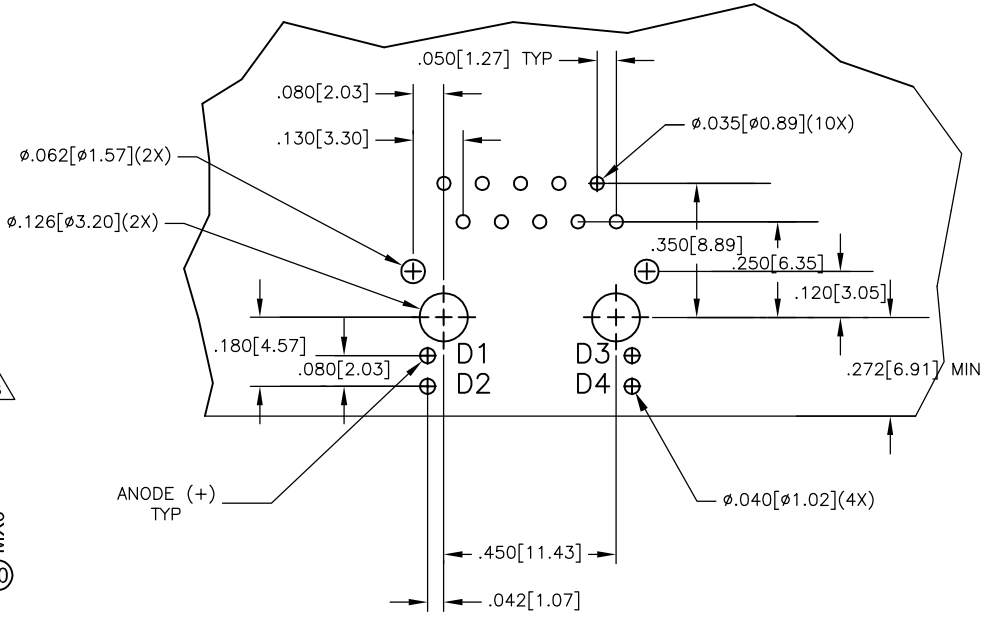
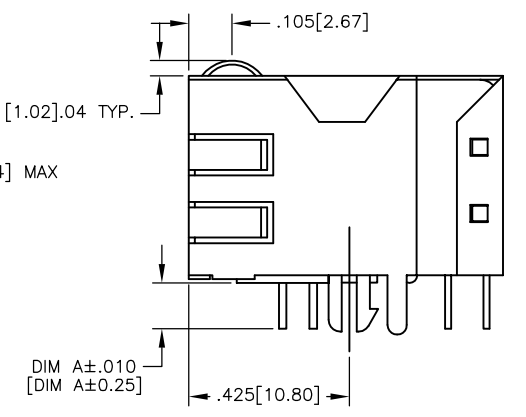
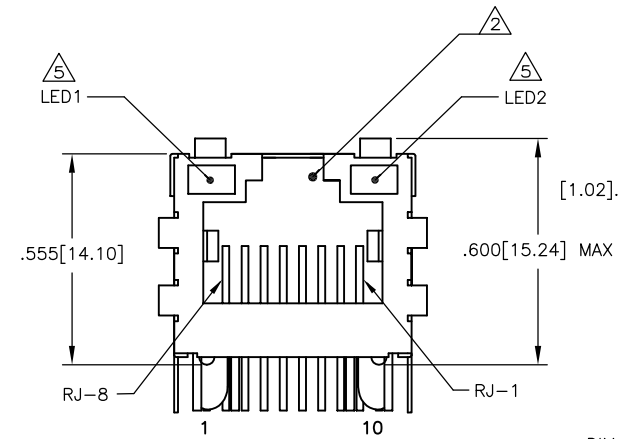
REVISIONS					
#	DATE	DESCRIPTION	BY	CHK	APPD
K	23APR2013	LOGO CHANGE	JC	KZ	

MECHANICAL:

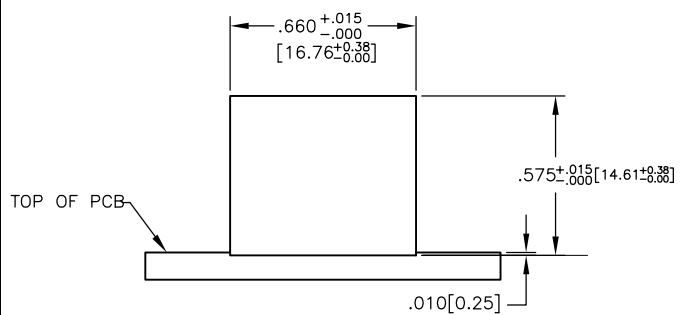


Pin Designations

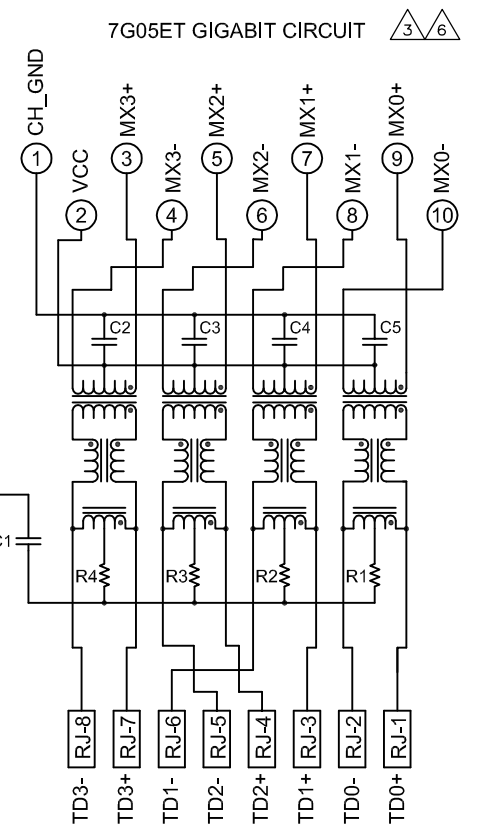
- △ MATERIALS:  
 HOUSING - THERMOPLASTIC PET (OR HIGH TEMPERATURE NYLON) POLYESTER FLAMMABILITY RATING UL 94V-0.  
 SHIELD - .010" THICK, C26800 BRASS PREPLATED WITH 30µinch SEMI-BRIGHT NICKEL; SOLDER TABS POST-DIPPED WITH 100µinch MIN SAC SOLDER.  
 MOD JACK CONTACTS - .0157" x .018" THICK, PHOSPHOR BRONZE, 50µinch MIN OVERALL NICKEL UNDERPLATE, WITH SELECT 50µinch MIN HARD GOLD FINISH PLATE. SOLDER TAILS WITH 100µinch MIN MATTE TIN AND/OR SAC SOLDER DIP.  
 LIGHT EMITTING DIODE(LED) - DIFFUSED EPOXY LENS, .020" x .020" CARBON STEEL WIREFRAME LEADS PREPLATED WITH 80µinch SILVER OVER 40µinch NICKEL UNDERPLATE OVER 40µinch COPPER UNDERPLATE, POST-PLATED WITH 100µinch MIN MATTE TIN AND/OR SAC SOLDER DIP OR PURE TIN SOLDER DIP.
- △ RJ45 JACK CAVITY CONFORMS TO FCC RULES AND REGULATIONS PART 68, SUB PART F.
- △ MAGNETICS  
 -APPLICATION: 10/100/1000 BASE-T, EXTENDED TEMPERATURE  
 -IMPEDANCE: 100 OHMS  
 -TURNS RATIO (CHIP-CABLE): 1:1 ALL FOUR PAIRS  
 -OPEN CIRCUIT INDUCTANCE (OCL): 350uH MIN @100kHz, 0.1VRMS, 8mA DC BIAS FROM -40°C TO +85°C, ALL FOUR PAIRS  
 -ALL FOUR PAIRS BI-DIRECTIONAL  
 -PERFORMANCE @ 25°C:  
 INSERTION LOSS (IL): 1.1dB MAX FROM 0.5MHz TO 100MHz  
 RETURN LOSS (RL): 18dB MIN FROM 0.5MHz TO 40MHz  
 12-20LOG(f/80)dB MIN FROM 40.1MHz TO 100MHz  
 CROSSTALK ATTENUATION: 35dB MIN FROM 0.5MHz TO 40MHz  
 33-20LOG(f/50)dB MIN FROM 40.1MHz TO 100MHz  
 COMMON MODE REJECTION RATIO (CMRR): 30dB MIN FROM 0.5MHz TO 100MHz  
 -ISOLATION VOLTAGE: COMPLIES WITH IEEE802.3 2002, PARA 40.6.1.1, ITEM b.
- 4. OPERATING TEMPERATURE: -40°C TO +85°C.
- △ LEDS ARE DRIVEN WITH CONSTANT CURRENT AT APPROX 20 mA  
 LED COLOR:  
 DOMINANT WAVELENGTH (AD): GREEN 568 nm TYP @ IF=20 mA  
 FORWARD VOLTAGE (VF): GREEN 2.2V TYP @ IF=20 mA  
 DOMINANT WAVELENGTH ((AD): YELLOW 588 nm TYP @ IF=20 mA  
 FORWARD VOLTAGE (VF): YELLOW 2.1V TYP @ IF=20 mA  
 DOMINANT WAVELENGTH ((AD): ORANGE 605 nm TYP @ IF=20 mA  
 FORWARD VOLTAGE (VF): ORANGE 2.1V TYP @ IF=20 mA
- △ THE MAGNETICS ARE SYMMETRICAL TO SUPPORT AUTO-MDI/MDIX.
- △ TRP CONNECTOR LOGO, PART NUMBER, DATE CODE, COUNTRY OF ORIGIN AND AGENCY APPROVAL MARKING IN APPROXIMATE LOCATION SHOWN.
- 8. THESE PARTS ARE RECOMMENDED FOR WAVE SOLDERING PROCESS, PREHEAT TEMPERATURE IS 120°C TO 160°C, 120 SECONDS TO 180 SECONDS, PEAK WAVE SOLDERING TEMPERATURE IS 260°C MAX, 10 SECONDS MAX.



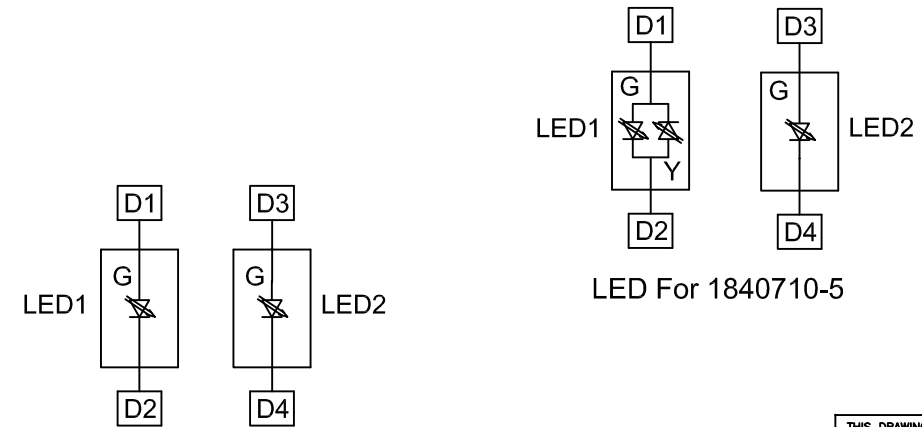
Suggested PCB Layout (Component Side)



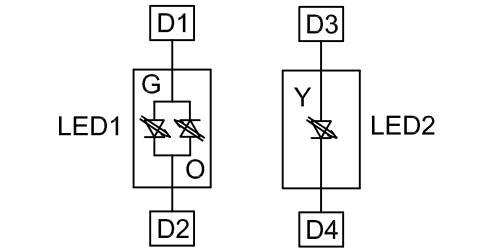
Suggested Panel Cutout



C1 = 1000 pF, 2kV CAPACITOR  
 R1-R4 = 75 OHMS, 1/16 W RESISTORS  
 C2-C5 = 0.1 uF, 50V, X7R CAPACITORS



LED For 1840710-1, 1-1840710-1



LED For 1-1840710-3, 2-1840710-3

TEMPERATURE	LED1 DIM A	LED2 DIM A	PART NUMBER
NORMAL TEMPERATURE	0.090[2.29]	GREEN/ORANGE	YELLOW 2-1840710-3
NORMAL TEMPERATURE	0.145[3.68]	GREEN/ORANGE	YELLOW 1-1840710-3
HIGH TEMPERATURE	0.145[3.68]	GREEN	GREEN 1-1840710-1
NORMAL TEMPERATURE	0.145[3.68]	GREEN/YELLOW	GREEN 1840710-5
NORMAL TEMPERATURE	0.145[3.68]	GREEN	GREEN 1840710-1

THIS DRAWING IS A CONTROLLED DOCUMENT.

DATE: KEITH ZHU 190E005	TRP connector Dongguan China
CHK: MICHAEL ZHANG 190E005	
APPD: TEDDY XIONG 190E005	
PRODUCT SPEC: 108-2100	NAME: 1X1 MAG45(TM), MODULAR JACK, 7G05ET CIRCUIT, SHIELDED, WITH LEDS
APPLICATION SPEC: -	SIZE: A1
MATERIAL: -	FINISH: -
WEIGHT: -	SCALE: NTS
CUSTOMER DRAWING	SHEET 1 OF 1 REV K