



Chipsmall Limited consists of a professional team with an average of over 10 year of expertise in the distribution of electronic components. Based in Hongkong, we have already established firm and mutual-benefit business relationships with customers from,Europe,America and south Asia,supplying obsolete and hard-to-find components to meet their specific needs.

With the principle of “Quality Parts,Customers Priority,Honest Operation,and Considerate Service”,our business mainly focus on the distribution of electronic components. Line cards we deal with include Microchip,ALPS,ROHM,Xilinx,Pulse,ON,Everlight and Freescale. Main products comprise IC,Modules,Potentiometer,IC Socket,Relay,Connector.Our parts cover such applications as commercial,industrial, and automotives areas.

We are looking forward to setting up business relationship with you and hope to provide you with the best service and solution. Let us make a better world for our industry!



## Contact us

Tel: +86-755-8981 8866 Fax: +86-755-8427 6832

Email & Skype: info@chipsmall.com Web: www.chipsmall.com

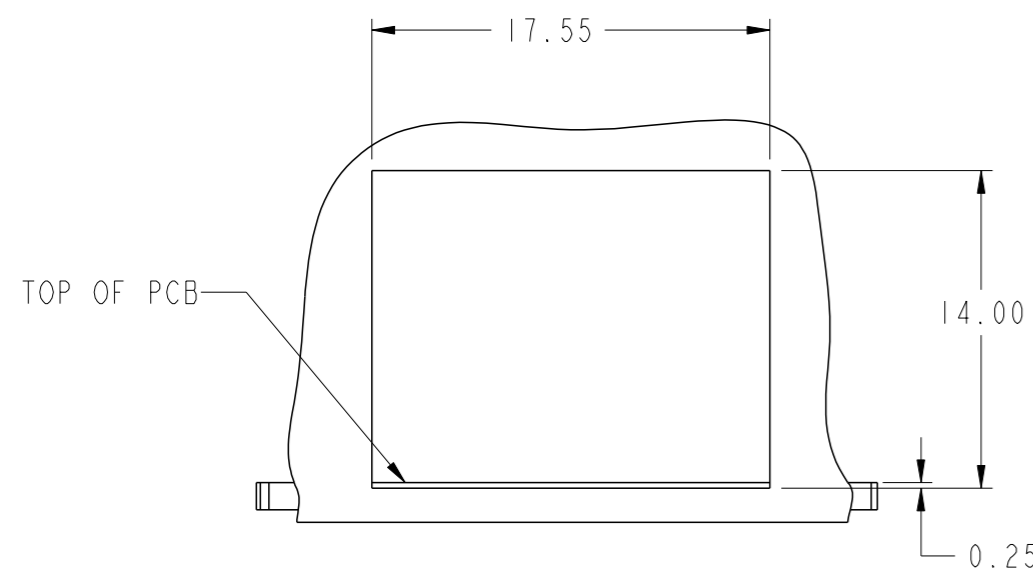
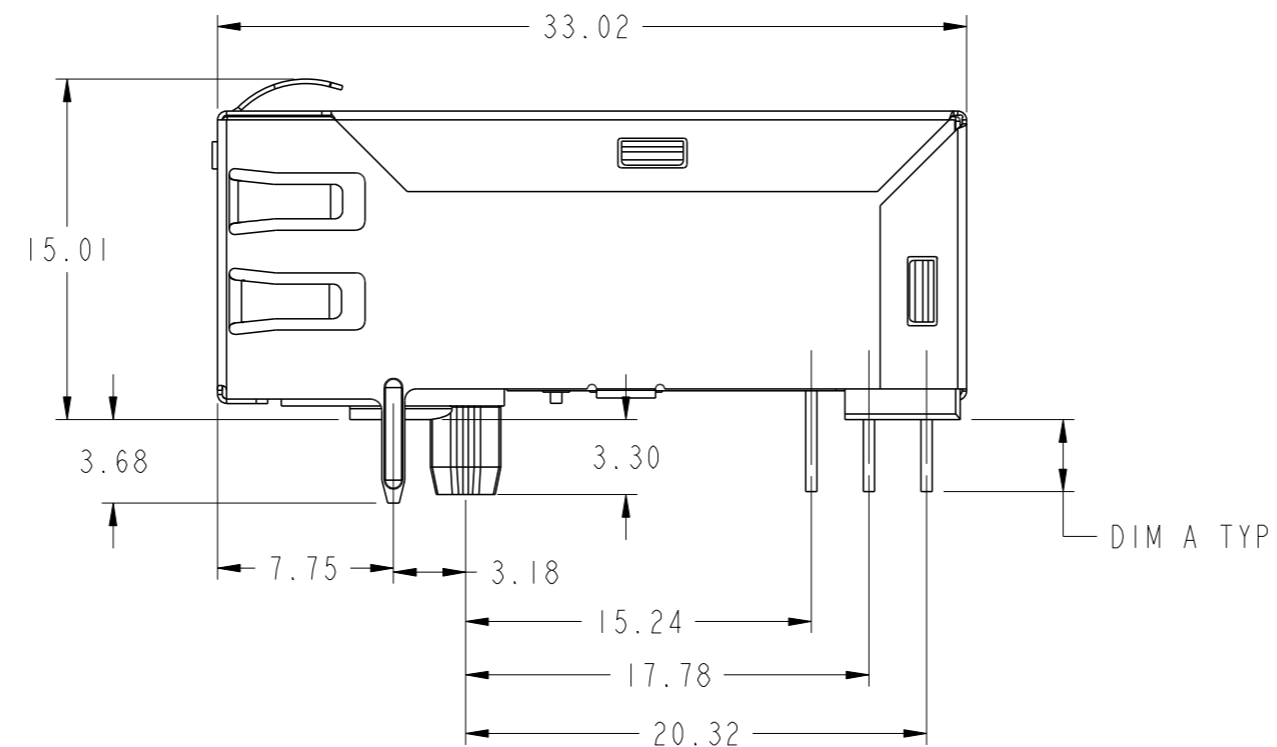
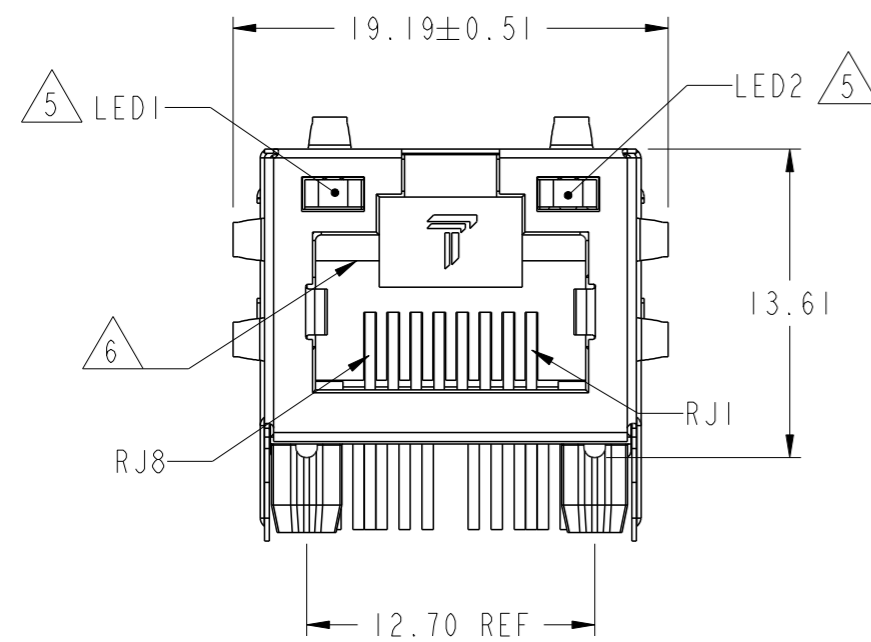
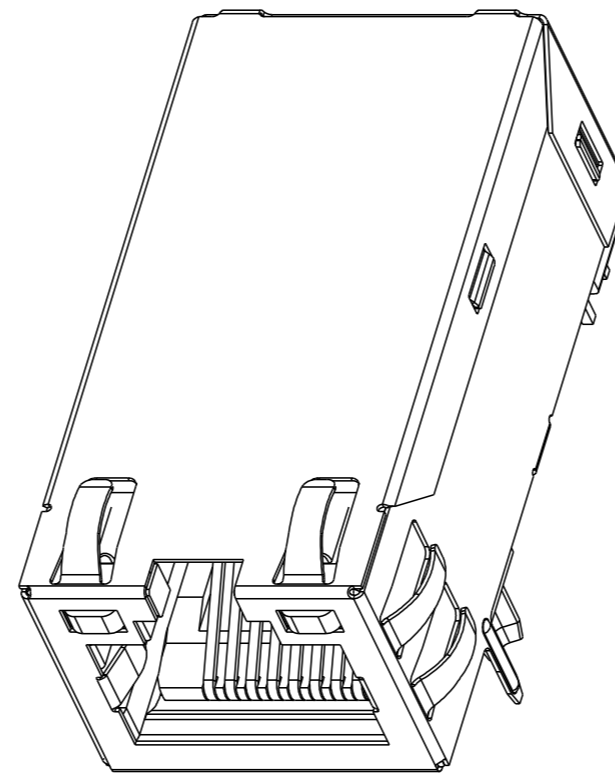
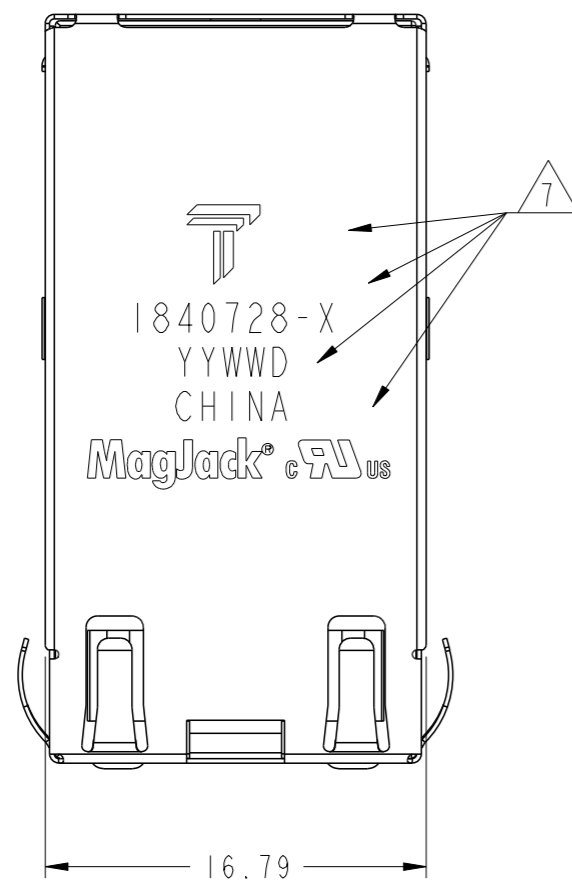
Address: A1208, Overseas Decoration Building, #122 Zhenhua RD., Futian, Shenzhen, China



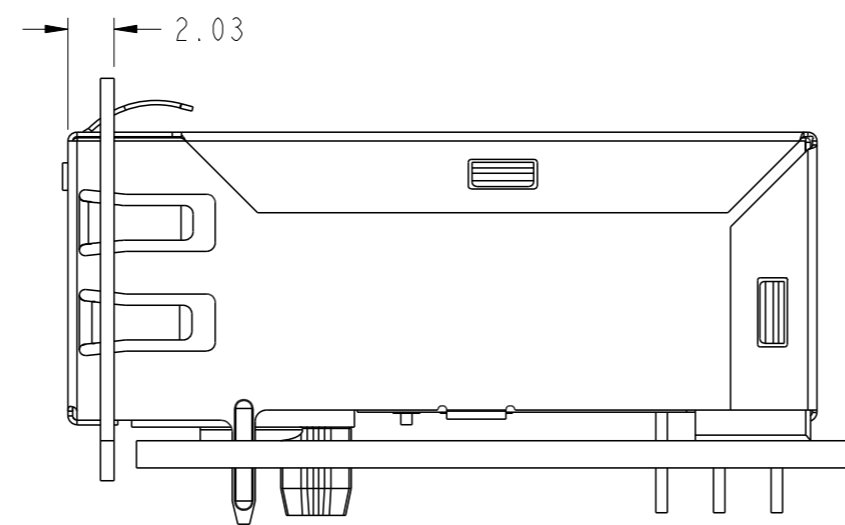
THIS DRAWING AND THE SUBJECT MATTER SHOWN THEREON ARE CONFIDENTIAL AND THE PROPERTY OF BEL/STEWART/TRP CONNECTOR AND SHALL NOT BE REPRODUCED, COPIED, OR USED IN ANY MANNER WITHOUT THE WRITTEN CONSENT OF TRP CONNECTOR.

PRODUCT MAY BE PROTECTED BY ONE OR MORE OF THE FOLLOWING US PATENTS:  
 5736910 5939955 6425781 6428361 6554638 6840817 7123117  
 7429195 7717749 7808751 6217391 6149050 7924130

REVISIONS				
P	LTR	DESCRIPTION	DATE	APVD
A		LOGO CHANGE	24APR2013	TY KZ
B		EC-1411035 COMPANY LOGO CHANGE	09JAN2015	TYR TYN



SUGGESTED PANEL CUTOUT VS CUSTOMER BOARD



CONNECTOR ASSEMBLED TO PANEL AND PCB

I. MATERIALS

HOUSING: THERMOPLASTIC, BLACK, FLAMMABILITY RATING UL 94V-0  
 SHIELD: BRASS, 0.20mm THICK  
 PREPLATED WITH MIN 0.76um SEMI-BRIGHT NICKEL  
 POST DIPPED WITH 2.54um MIN SAC SOLDER AT GROUND PINS.  
 CONTACT: PHOSPHOR BRONZE, 0.46mmX0.30mm  
 WITH 1.27um MIN OVERALL NICKEL UNDERPLATE AND  
 SELECTIVE 1.27um MIN GOLD PLATING AT MATING INTERFACE  
 SOLDER TAIL: COPPER CLADDED STEEL, 0.50mm SQUARE  
 PLATED WITH 2.54um MIN MATTE TIN  
 LIGHT PIPE: POLYCARBON, TRANSPARENT, RATING UL 94V-0  
 LED: DIFFUSED EPOXY LENS, 0.50mm SQUARE CARBON STEEL WIREFRAME LEADS  
 PREPLATED WITH 2.03um MIN SILVER OVER 1.02um MIN NICKEL OVER 1.02um  
 MIN COPPER UNDERPLATE POST PLATED WITH 2.54um MIN TIN,  
 TIP TIN DIPPING

△ MAGNETICS

-APPLICATION: 10/100/1000 BASE-T  
 -IMPEDANCE: 100 OHMS  
 -TURNS RATIO (CHIP:CABLE): 1:1 ALL FOUR PAIRS  
 -OPEN CIRCUIT INDUCTANCE (OCL): 350uH MIN @100kHz, 0.1VRMS,  
 8mADC BIAS FROM 0°C TO 70°C, ALL FOUR PAIRS  
 -ALL FOUR PAIRS BI-DIRECTIONAL  
 -PERFORMANCE @ 25°C:  
 INSERTION LOSS (IL): 1.1dB MAX FROM 0.5MHz TO 100MHz  
 RETURN LOSS (RL): 18dB MIN FROM 0.5MHz TO 40MHz  
 12-20LOG(f/80)dB MIN FROM 40.1MHz TO 100MHz  
 CROSSTALK ATTENUATION: 35dB MIN FROM 0.5MHz TO 40MHz  
 33-20LOG(f/50)dB MIN FROM 40.1MHz TO 100MHz  
 COMMON MODE REJECTION RATIO (CMRR): 30dB MIN FROM 0.5MHz TO 100MHz  
 -ISOLATION VOLTAGE: 2250 VDC FOR 60 SECONDS DURATION FOR 1840728-6,  
 1840728-7, 1-1840728-3, 1-1840728-5  
 -ISOLATION VOLTAGE: 1500 VAC(RMS) AT 50 Hz TO 60 Hz FOR 60 SECONDS DURATION  
 FOR 1840728-5, 1840728-9

△ THE MAGNETICS ARE SYMMETRICAL AND SUPPORT AUTO-MDIX OPERATION.

4. OPERATING TEMPERATURE: 0°C TO 70°C

△ LEDS ARE DRIVEN WITH CONSTANT CURRENT AT APPROX 20mA.

LED COLOR: DOMINANT WAVELENGTH (λ D): GREEN 568 nm TYP. at IF=20mA  
 FORWARD VOLTAGE (VF): GREEN 2.2V TYP. at IF=20mA  
 DOMINANT WAVELENGTH (λ D): YELLOW 588 nm TYP. at IF=20mA  
 FORWARD VOLTAGE (VF): YELLOW 2.1V TYP. at IF=20mA  
 DOMINANT WAVELENGTH (λ D): ORANGE 605 nm TYP. at IF=20mA  
 FORWARD VOLTAGE (VF): ORANGE 2.1V TYP. at IF=20mA

△ RJ45 CAVITY CONFORMS TO FCC RULES AND REGULATION PART 68 SUBPART F.

△ TRP CONNECTOR LOGO, PART NUMBER, DATE CODE, COUNTRY OF ORIGIN AND AGENCY APPROVAL MARKING IN APPROXIMATE LOCATION SHOWN. DATE CODE: "YY" IS YEAR, "WW" IS WORK WEEK, "D" IS DAY OF WEEK, WITH SUNDAY=1

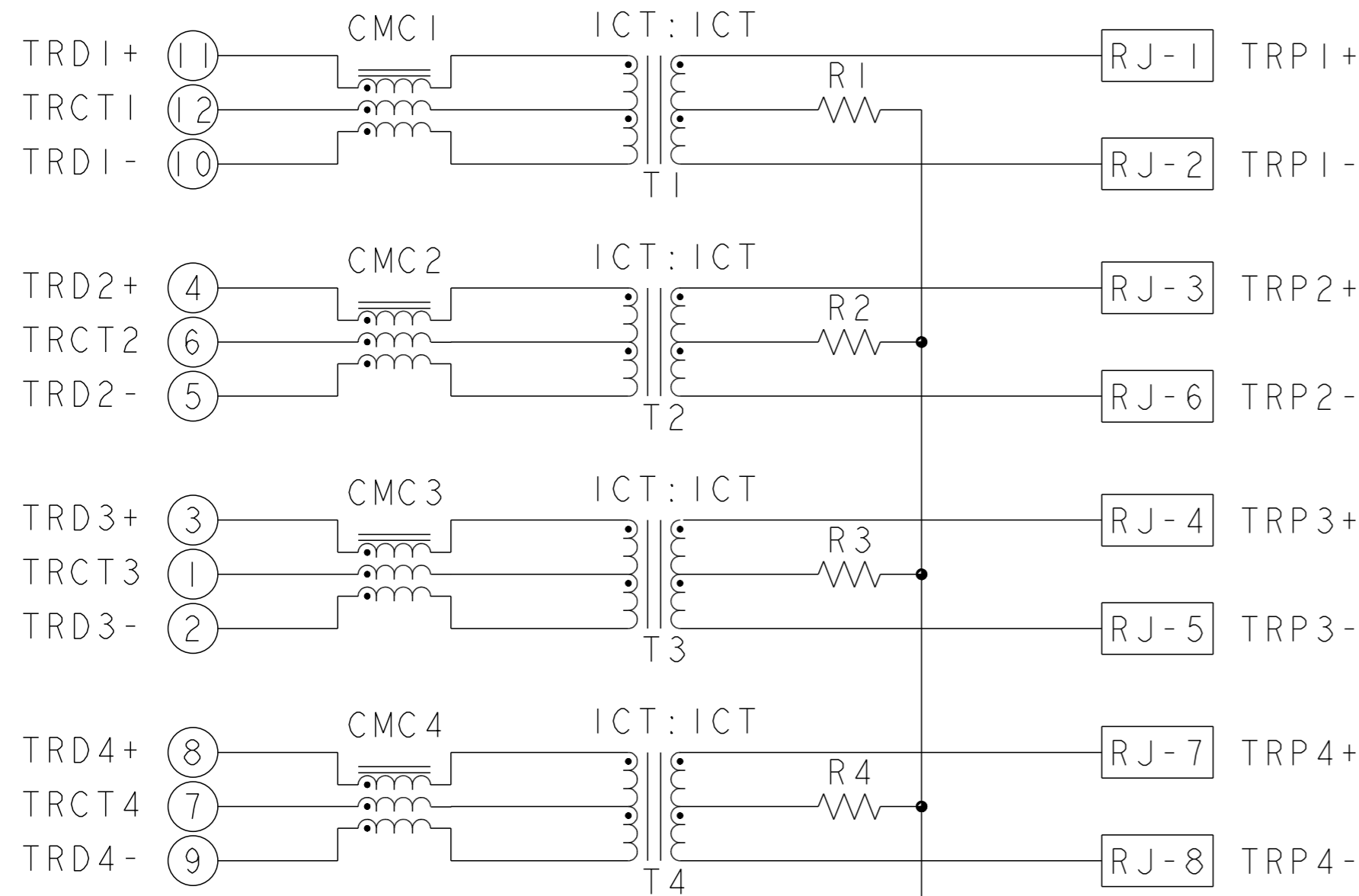
8. THESE PARTS ARE RECOMMENDED FOR WAVE SOLDERING PROCESS, PREHEAT TEMPERATURE IS 120°C TO 160°C, 120 SECONDS TO 180 SECONDS, PEAK WAVE SOLDERING TEMPERATURE IS 260°C MAX, 10 SECONDS MAX.

3.56	YELLOW/GREEN	GREEN	1-1840728-5
3.18	GREEN/ORANGE	YELLOW	1-1840728-3
3.18	YELLOW	GREEN	1840728-9
3.18	GREEN	GREEN	1840728-7
3.18	YELLOW/GREEN	YELLOW/GREEN	1840728-6
3.18	YELLOW/GREEN	GREEN	1840728-5
DIM A	LED1	LED2	PART NUMBER

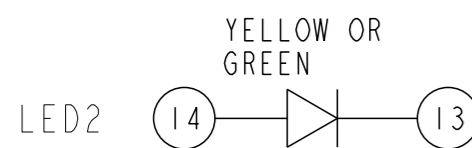
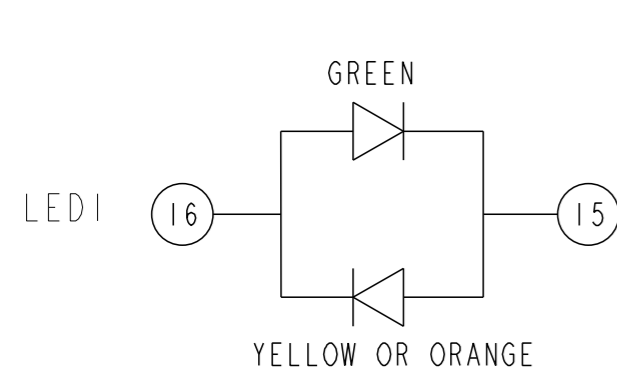
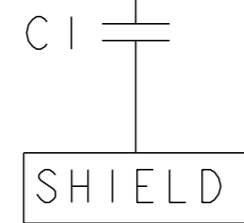
THIS DRAWING IS A CONTROLLED DOCUMENT.		DWN	JALU XU	200CT2006
DIMENSIONS: mm		CHK	KEITH ZHU	200CT2006
TOLERANCES UNLESS OTHERWISE SPECIFIED:		APVD	TEDDY XIONG	200CT2006
0 PLC ±		MODEL NAME		
1 PLC ±0.25		MAGJACK		
2 PLC ±0.25		SINGLE NON-POE		
3 PLC ±0.25		SIZE		
4 PLC ±		A2		
ANGLES ±		CAGE CODE		
APPLICATION SPEC		C-1840728		
PRODUCT SPEC		DRAWING NO		
108-2100		RESTRICTED TO		
		-		
		CUSTOMER DRAWING		
		SCALE 2:1		
		SHEET 1 OF 2		
		REV B		

		DONGGUAN CHINA	
		IX1 IG4I GIGABIT TAB UP W/ LED	
		SIZE CAGE CODE DRAWING NO A2 C-1840728	
RESTRICTED TO -		SCALE 2:1 SHEET 1 OF 2 REV B	

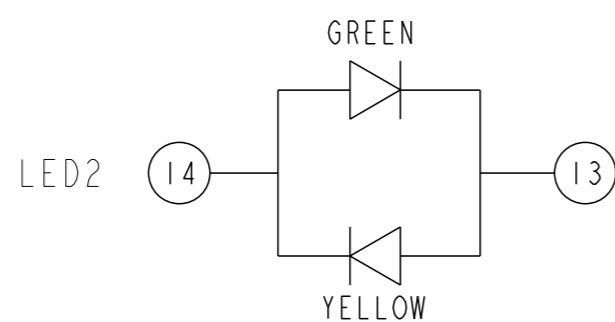
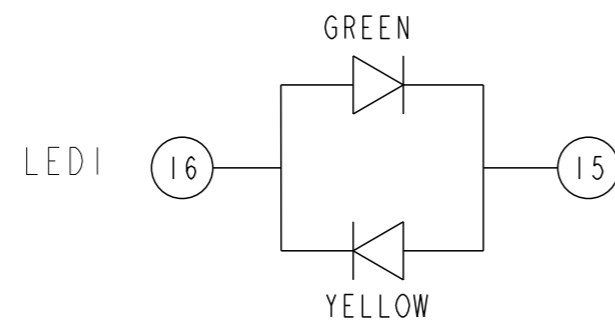
# IG41 GIGABIT CIRCUIT



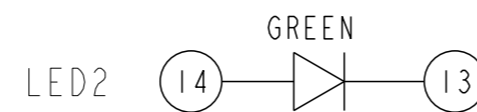
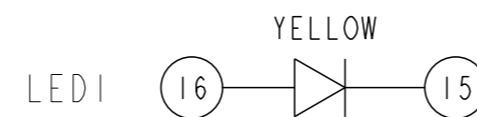
R1-R4=75 Ohms, 1/16W, 5% RESISTORS  
 C1=1000pF, 3kV CAPACITOR



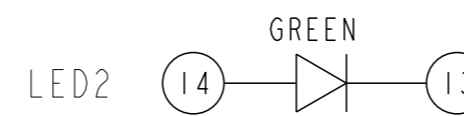
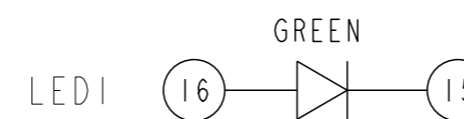
LED CONFIGURATION FOR 1-1840728-3, 1840728-5, 1-1840728-5



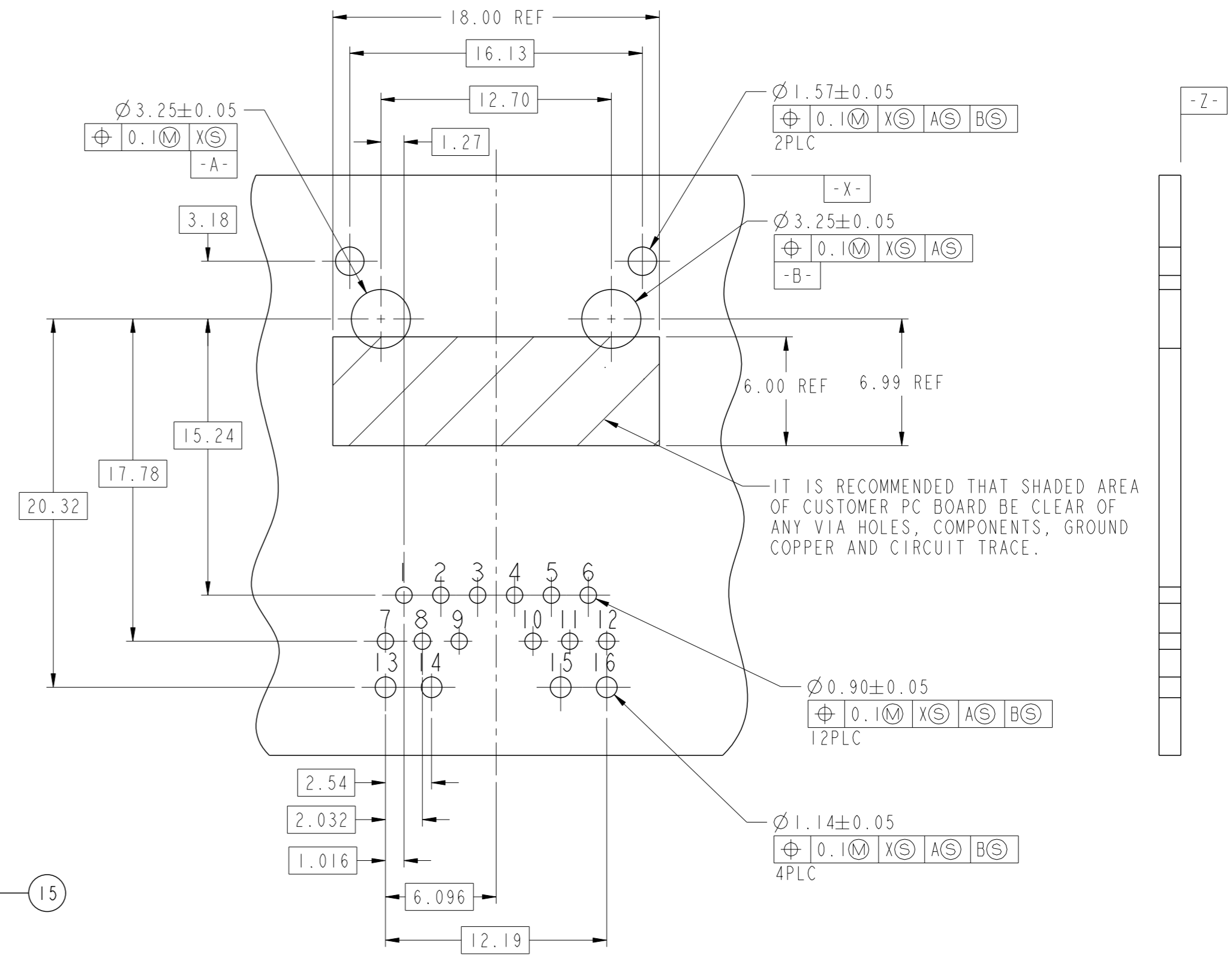
LED CONFIGURATION FOR 1840728-6 ONLY



LED CONFIGURATION FOR 1840728-9 ONLY



LED CONFIGURATION FOR 1840728-7 ONLY



IT IS RECOMMENDED THAT SHADED AREA OF CUSTOMER PCB BE CLEAR OF ANY VIA HOLES, COMPONENTS, GROUND COPPER AND CIRCUIT TRACE.

SUGGESTED CUSTOMER PCB COMPONENT SIDE SCALE 2:1

THIS DRAWING IS A CONTROLLED DOCUMENT.		DWN: JALU XU 200CT2006	<p><b>trp</b> CONNECTOR a bel group</p>	DONGGUAN CHINA		
DIMENSIONS: mm		CHK: KEITH ZHU 200CT2006		DESC: 1X1 IG41 GIGABIT TAB UP W/ LED		
TOLERANCES UNLESS OTHERWISE SPECIFIED:		APVD: TEDDY XIONG 200CT2006		SIZE: A2	CAGE CODE: C-1840728	RESTRICTED TO: -
0 PLC ± 1 PLC ±0.25 2 PLC ±0.25 3 PLC ±0.25 4 PLC ± ANGLES ± APPLICATION SPEC		MODEL NAME: MAGJACK SINGLE NON-POE		SCALE: 2:1 SHEET 2 OF 2 REV B		
PRODUCT SPEC: 108-2100		CUSTOMER DRAWING				