



Chipsmall Limited consists of a professional team with an average of over 10 year of expertise in the distribution of electronic components. Based in Hongkong, we have already established firm and mutual-benefit business relationships with customers from,Europe,America and south Asia,supplying obsolete and hard-to-find components to meet their specific needs.

With the principle of "Quality Parts,Customers Priority,Honest Operation,and Considerate Service",our business mainly focus on the distribution of electronic components. Line cards we deal with include Microchip,ALPS,ROHM,Xilinx,Pulse,ON,Everlight and Freescale. Main products comprise IC,Modules,Potentiometer,IC Socket,Relay,Connector.Our parts cover such applications as commercial,industrial, and automotives areas.

We are looking forward to setting up business relationship with you and hope to provide you with the best service and solution. Let us make a better world for our industry!



Contact us

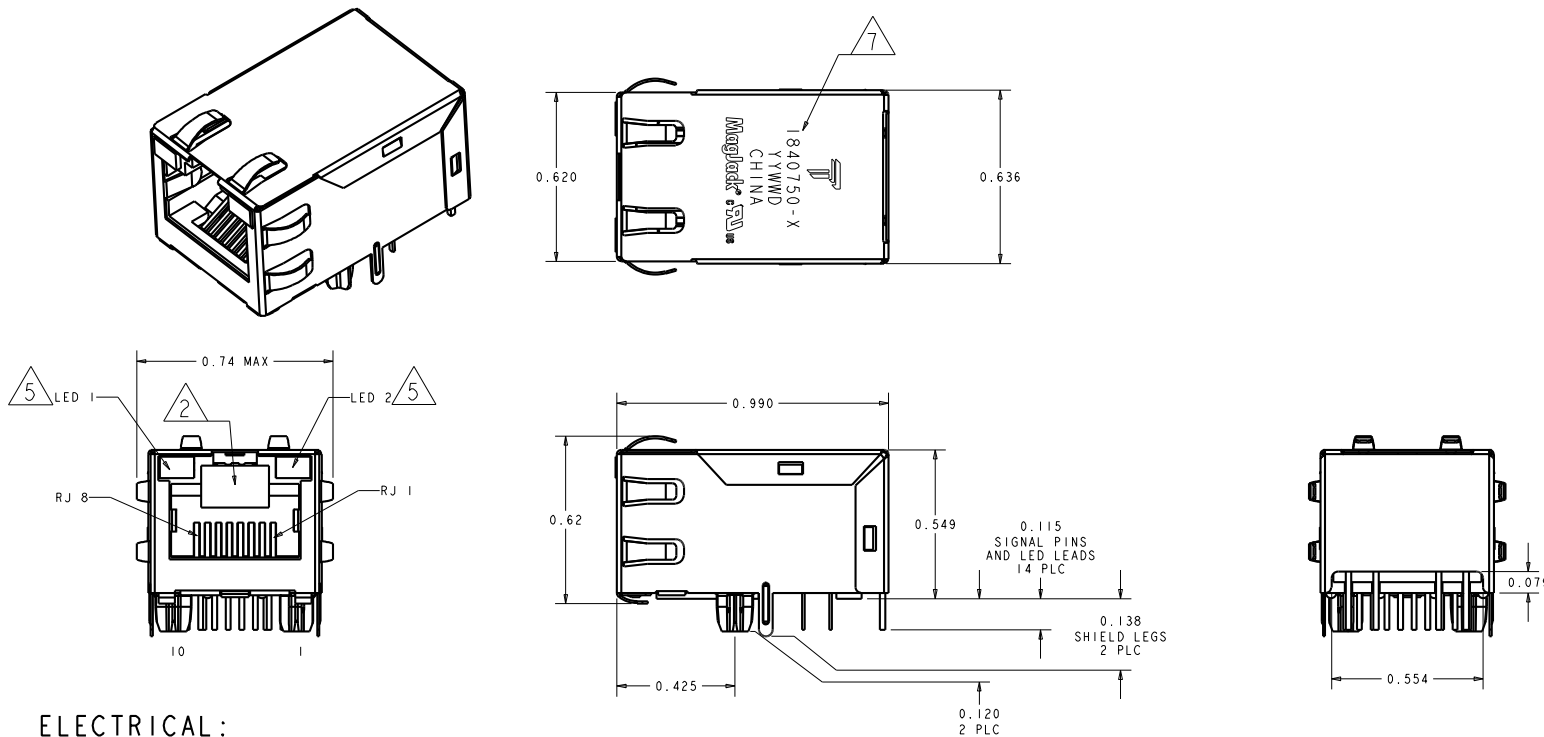
Tel: +86-755-8981 8866 Fax: +86-755-8427 6832

Email & Skype: info@chipsmall.com Web: www.chipsmall.com

Address: A1208, Overseas Decoration Building, #122 Zhenhua RD., Futian, Shenzhen, China

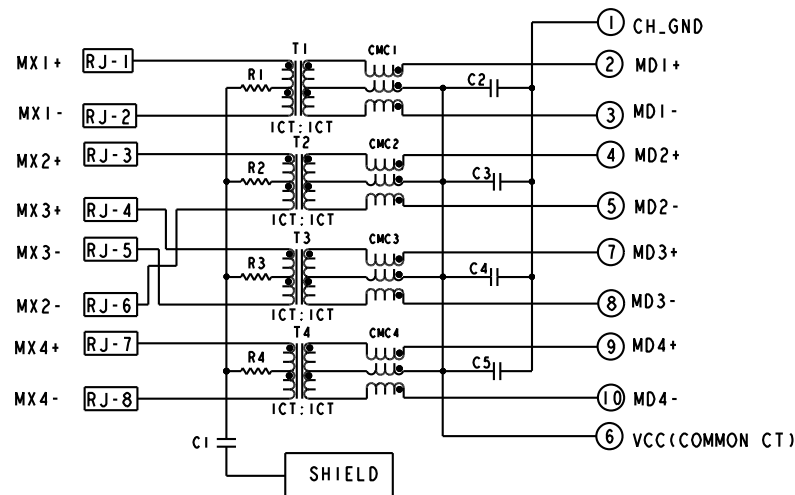


MECHANICAL:



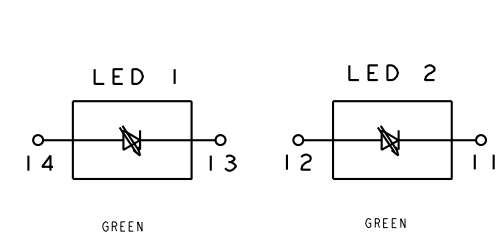
ELECTRICAL:

7G61P9 GIGABIT CIRCUIT

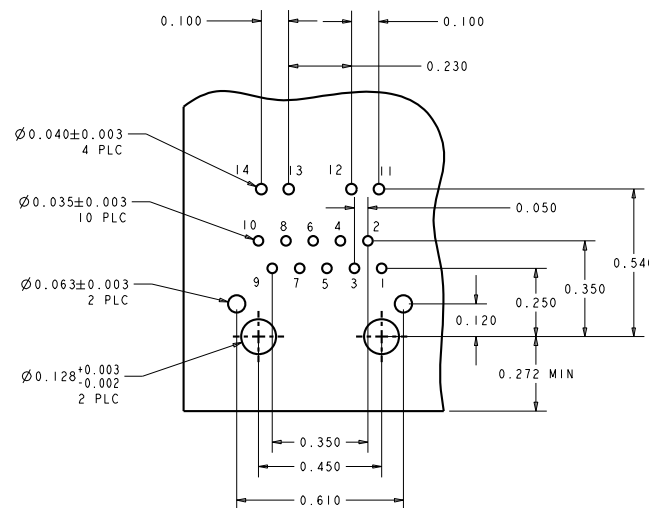
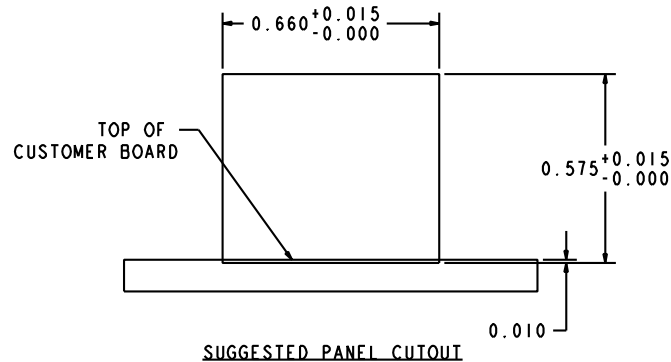
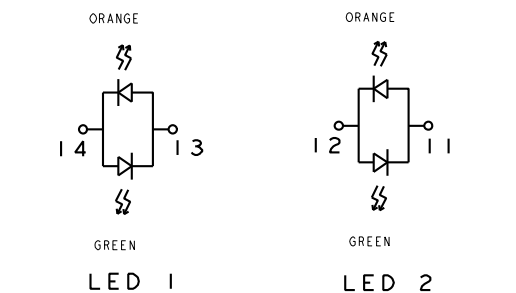


C1 = 1000pF, 2kV, X7R CAPACITOR
C2-C5 = 0.01uF, 50V CAPACITORS
R1-R4 = 75 OHMS, 1/16W RESISTORS

SINGLE COLOR LED



BI-COLOR LED



1. MATERIALS:

- HOUSING- THERMOPLASTIC PET POLYESTER FLAMMABILITY RATING UL 94V-0
- SHIELD- 0.008 INCH THICK, C26800 BRASS PREPLATED WITH 30u INCH MIN SEMI-BRIGHT NICKEL; SOLDER TABS POST-DIPPED WITH 100 u INCH MIN SAC SOLDER.
- CONTACTS- PHOSPHOR BRONZE, PLATED WITH 1.27um MIN OVERALL NICKEL UNDERPLATE, SELECTIVE 1.27um MIN GOLD AT MATING INTERFACE AND 2.54um MIN MATTE TIN ON SOLDER TAILS. OR 1.27um MIN NICKEL UNDERPLATE, WITH 0.05um GOLD PLATING OVER 0.76um MIN PALLADIUM NICKEL PLATING AT MATING INTERFACE AND 2.54um MIN MATTE TIN ON SOLDER TAILS.
- SOLDERTAILS- PLATED WITH 100 u INCH MIN MATTE TIN AND/OR SAC SOLDER DIP.
- LIGHT EMITTING DIODE(LED)- DIFFUSED EPOXY LENS, .020" x .020" CARBON STEEL WIREFRAME LEADS PREPLATED WITH 80 u INCH SILVER OVER 40 u INCH NICKEL UNDERPLATE 40u INCH COPPER UNDERPLATE; POST-PLATED WITH 100 u INCH MIN MATTE TIN AND/OR SAC SOLDER DIP OR PURE TIN SOLDER DIP.

2. RJ45 JACK CAVITY CONFORMS TO FCC RULES AND REGULATIONS PART 68, SUBPART F.

3. MAGNETICS

- APPLICATION: 10/100/1000 BASE-T
- IMPEDANCE: 100 OHMS
- TURNS RATIO (CHIP:CABLE): 1:1 ALL FOUR PAIRS
- OPEN CIRCUIT INDUCTANCE (OCL): 350uH MIN @100kHz, 0.1VRMS, 8mADC BIAS FROM 0°C TO 70°C, ALL FOUR PAIRS
- ALL FOUR PAIRS BI-DIRECTIONAL
- PERFORMANCE @ 25°C:
 INSERTION LOSS (IL): 1.1dB MAX FROM 0.5MHz TO 100MHz
 RETURN LOSS (RL): 18dB MIN FROM 0.5MHz TO 40MHz
 12-20LOG(f/80)dB MIN FROM 40.1MHz TO 100MHz
 CROSSTALK ATTENUATION: 35dB MIN FROM 0.5MHz TO 40MHz
 33-20LOG(f/50)dB MIN FROM 40.1MHz TO 100MHz
 COMMON MODE REJECTION RATIO (CMRR): 30dB MIN FROM 0.5MHz TO 100MHz
- ISOLATION VOLTAGE: COMPLIES WITH IEEE802.3 2002, PARA 40.6.1.1, ITEM b.

4. OPERATING TEMPERATURE: FROM 0°C TO 70 °C.

5. LED IS DRIVEN WITH CONSTANT CURRENT AT APPROX 20mA.
 LED COLOR: DOMINANT WAVELENGTH (λD): GREEN 568 nm TYP. @ IF=20mA
 FORWARD VOLTAGE (VF): GREEN 2.2V TYP. @ IF=20mA
 DOMINANT WAVELENGTH (λD): ORANGE 605 nm TYP. @ IF=20mA
 FORWARD VOLTAGE (VF): ORANGE 2.05V TYP. @ IF=20mA

6. INDICATED MAGNETIC CONNECTIONS ARE SYMMETRICAL AND SUPPORT AUTO-MDIX.

7. TRP LOGO, PART NUMBER, DATE CODE, COUNTRY OF ORIGIN AND AGENCY APPROVAL MARKING IN APPROXIMATE LOCATION SHOWN.

8. THESE PARTS ARE RECOMMENDED FOR WAVE SOLDERING PROCESS, PREHEAT TEMPERATURE IS 120°C TO 160°C, 120 SECONDS TO 180 SECONDS, PEAK WAVE SOLDERING TEMPERATURE IS 260°C MAX, 10 SECONDS MAX.

0.154	GREEN	GREEN	1-1840750-7
0.154	GREEN/ORANGE	GREEN/ORANGE	1-1840750-6
0.115	GREEN	GREEN	1840750-7
0.115	GREEN/ORANGE	GREEN/ORANGE	1840750-6
DIM A	LED 1	LED 2	PART NUMBER

DIMENSIONS:		TOLERANCES UNLESS OTHERWISE SPECIFIED:		DWN		TRP CONNECTOR	
INCHES		0 PLC	±0.010	BY	07APR2008	DONGGUAN CHINA	
		1 PLC	±0.010	CHK	07APR2008		
		2 PLC	±0.010	APPV	07APR2008		
		3 PLC	±0.005	BY	07APR2008		
		4 PLC	±0.010	APPV	07APR2008		
PRODUCT SPEC		APPLICATION SPEC		MODEL NAME		DESC	
108-2100				MAGJACK		7G61P9 GIGABIT CIRCUIT, W/ LEDS	
				SINGLE NON-POE		SIZE	
				CUSTOMER DRAWING		CAGE CODE	
						DRAWING NO	
						A1	
						SCALE	
						3:1	
						SHEET	
						1 OF 1	
						REV	
						N	