



Chipsmall Limited consists of a professional team with an average of over 10 year of expertise in the distribution of electronic components. Based in Hongkong, we have already established firm and mutual-benefit business relationships with customers from,Europe,America and south Asia,supplying obsolete and hard-to-find components to meet their specific needs.

With the principle of “Quality Parts,Customers Priority,Honest Operation,and Considerate Service”,our business mainly focus on the distribution of electronic components. Line cards we deal with include Microchip,ALPS,ROHM,Xilinx,Pulse,ON,Everlight and Freescale. Main products comprise IC,Modules,Potentiometer,IC Socket,Relay,Connector.Our parts cover such applications as commercial,industrial, and automotives areas.

We are looking forward to setting up business relationship with you and hope to provide you with the best service and solution. Let us make a better world for our industry!



Contact us

Tel: +86-755-8981 8866 Fax: +86-755-8427 6832

Email & Skype: info@chipsmall.com Web: www.chipsmall.com

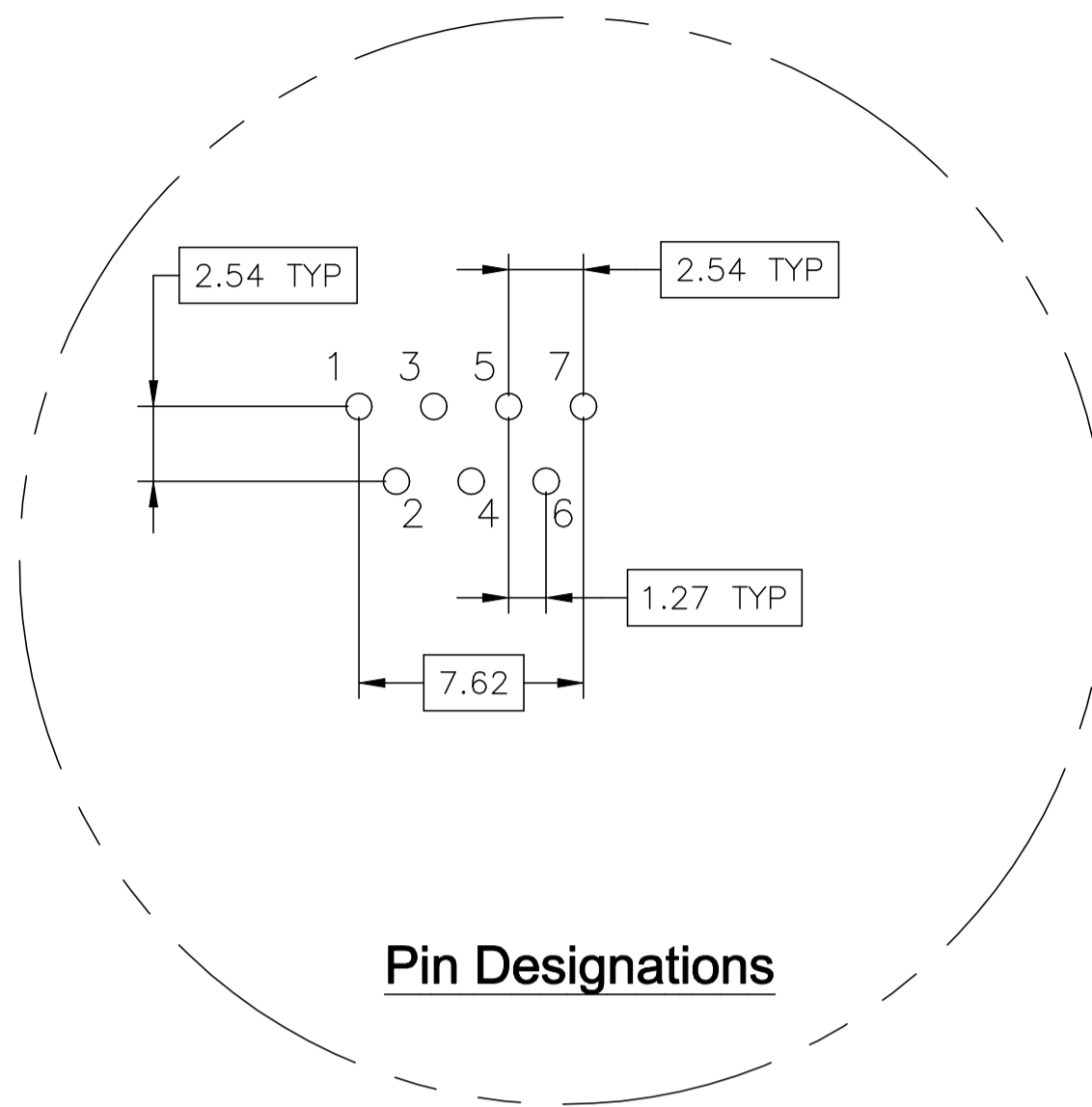
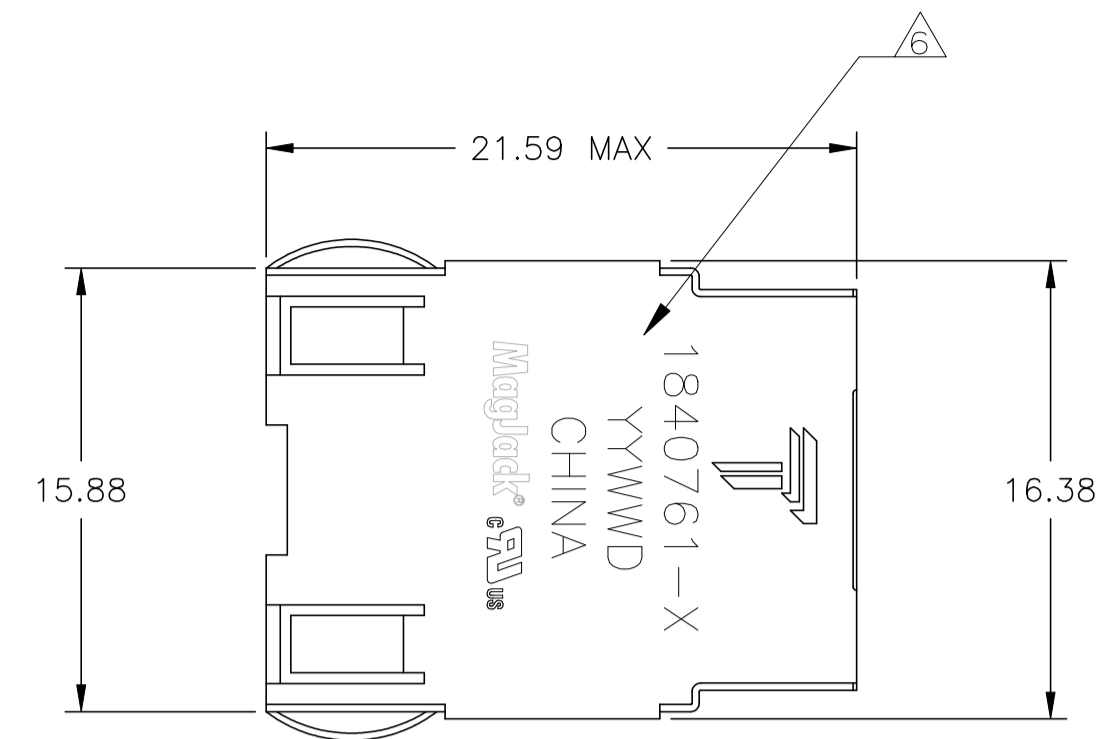
Address: A1208, Overseas Decoration Building, #122 Zhenhua RD., Futian, Shenzhen, China



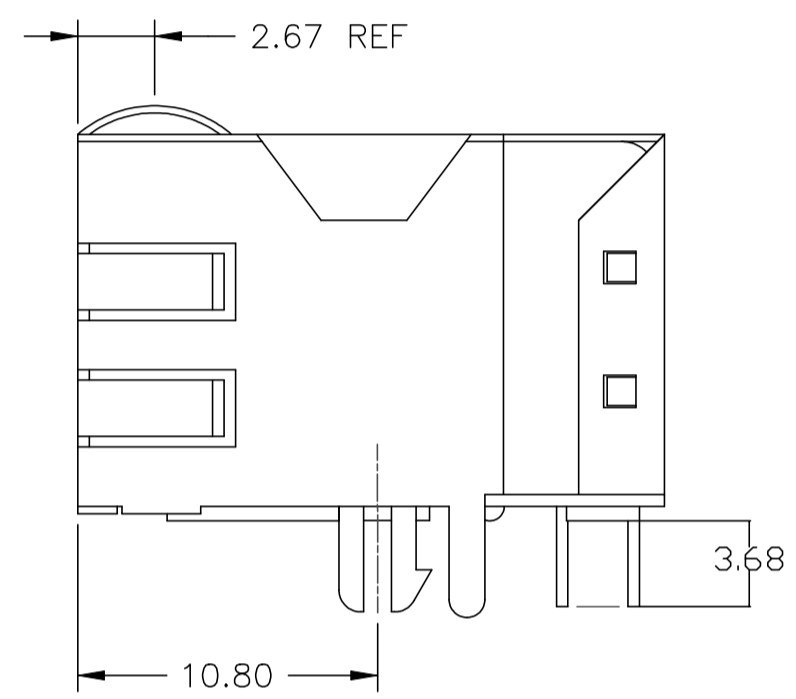
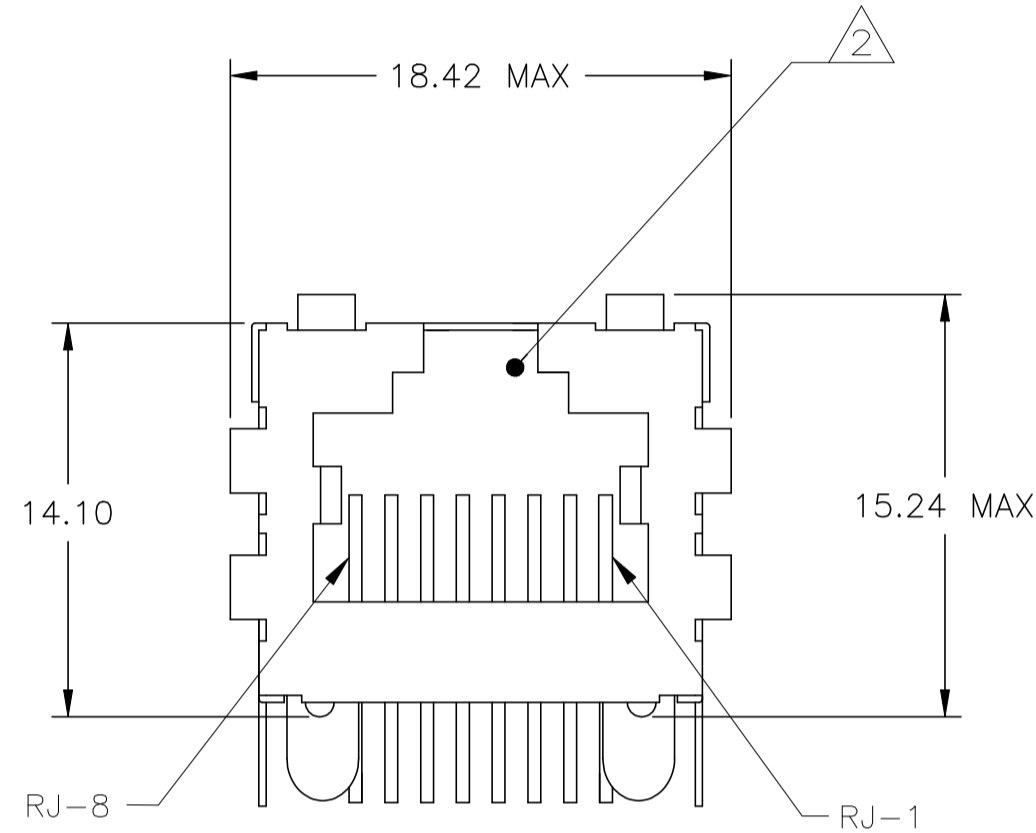
THIS DRAWING AND THE SUBJECT MATTER SHOWN THEREON ARE CONFIDENTIAL AND THE PROPERTY OF BEL/STEWART/TRP CONNECTOR AND SHALL NOT BE REPRODUCED, COPIED, OR USED IN ANY MANNER WITHOUT THE WRITTEN CONSENT OF TRP CONNECTOR.

PRODUCT MAY BE PROTECTED BY ONE OR MORE OF THE FOLLOWING US PATENTS:
 5736910 5939955 6425781 6428361 6554638 6840817 7123117
 7429195 7717749 7808751 6217391 6149050 7924130

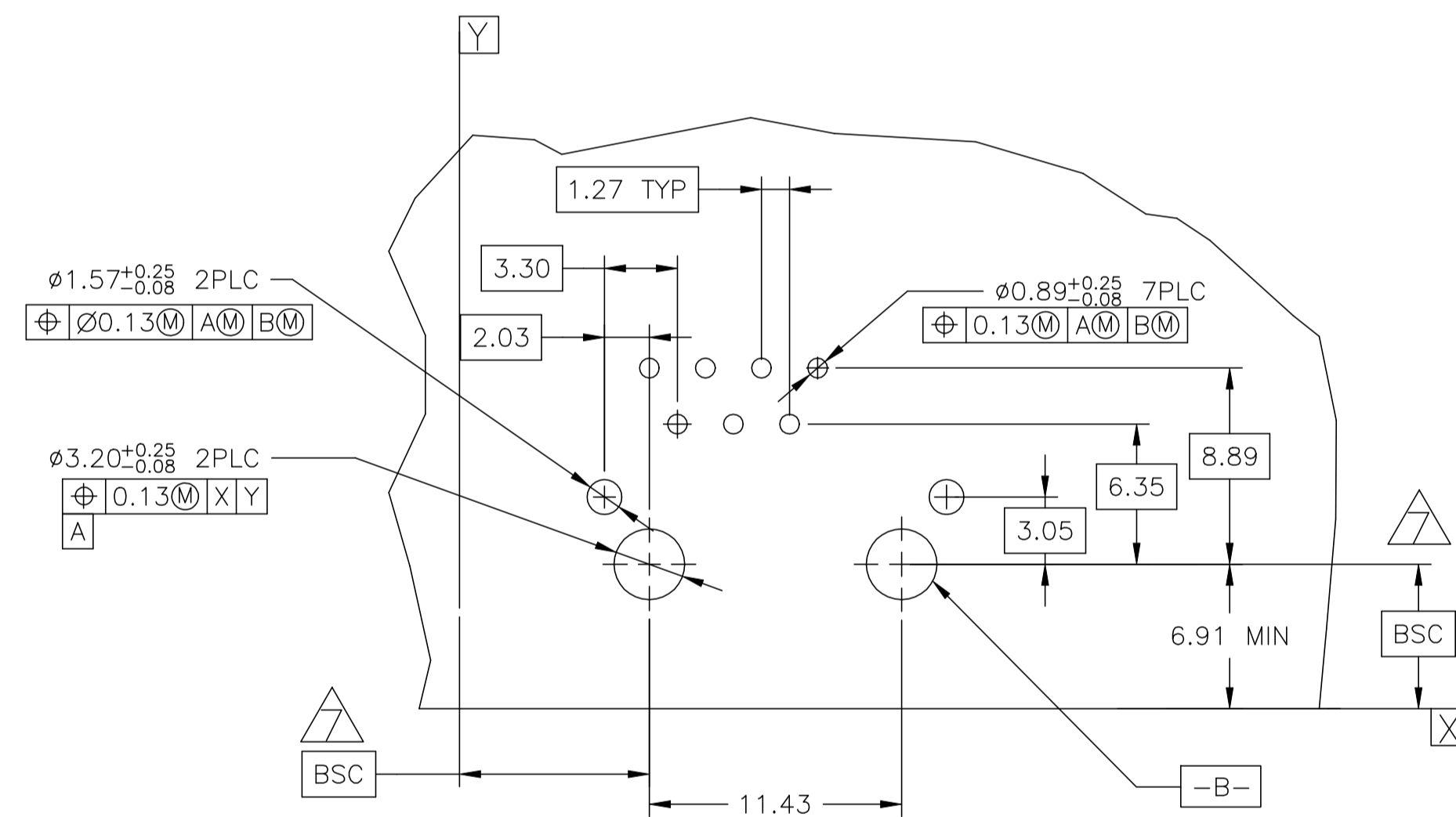
REVISIONS						
P	LR	REV	DESCRIPTION	DATE	UN	APP
D			EC-1411035 COMPANY LOGO CHANGE	5JAN2015	RT	TL



- MATERIALS:**
- HOUSING - THERMOPLASTIC PET POLYESTER FLAMMABILITY RATING UL 94V-0.
 - SHIELD - C26800 BRASS PREPLATED WITH 30μINCH MIN SEMI-BRIGHT NICKEL, SOLDER TABS POST DIPPED WITH 100μINCH MIN SAC SOLDER.
 - MOD JACK CONTACTS - PHOSPHOR BRONZE, 50μINCH MIN OVERALL NICKEL UNDERPLATE, WITH SELECT 50μINCH MIN HARD GOLD FINISH PLATE. SOLDER TAILS WITH 100μINCH MIN MATTE TIN AND/OR SAC SOLDER DIP.
- RJ45 JACK CAVITY CONFORMS TO FCC RULES AND REGULATIONS PART 68, SUB PART F.**
- MAGNETICS**
- APPLICATION: 10/100 BASE-T
 - IMPEDANCE: 100 OHMS
 - TURNS RATIO (CHIP: CABLE): TX = 11, RX = 11
 - OPEN CIRCUIT INDUCTANCE (OCL): 350uH MIN @100kHz, 0.1VRMS, 8mADC BIAS FROM 0°C TO 70°C, TX AND RX
 - PERFORMANCE @ 25°C:
 - INSERTION LOSS (IL): 1.1dB MAX FROM 0.5MHz TO 100MHz
 - RETURN LOSS (RL): 18dB MIN FROM 0.5MHz TO 30MHz, 18-20LOG(f/30)dB MIN FROM 30.1MHz TO 60MHz, 12dB MIN FROM 60.1MHz TO 80MHz
 - CROSSTALK ATTENUATION: 35dB MIN FROM 0.5MHz TO 40MHz, 33-20xLOG(f/50)dB MIN FROM 40.1MHz TO 100MHz
 - COMMON MODE REJECTION RATIO (CMRR): 30dB MIN FROM 0.5MHz TO 100MHz
 - ISOLATION VOLTAGE: 2250VDC (MAX) FOR 60 SECONDS DURATION.

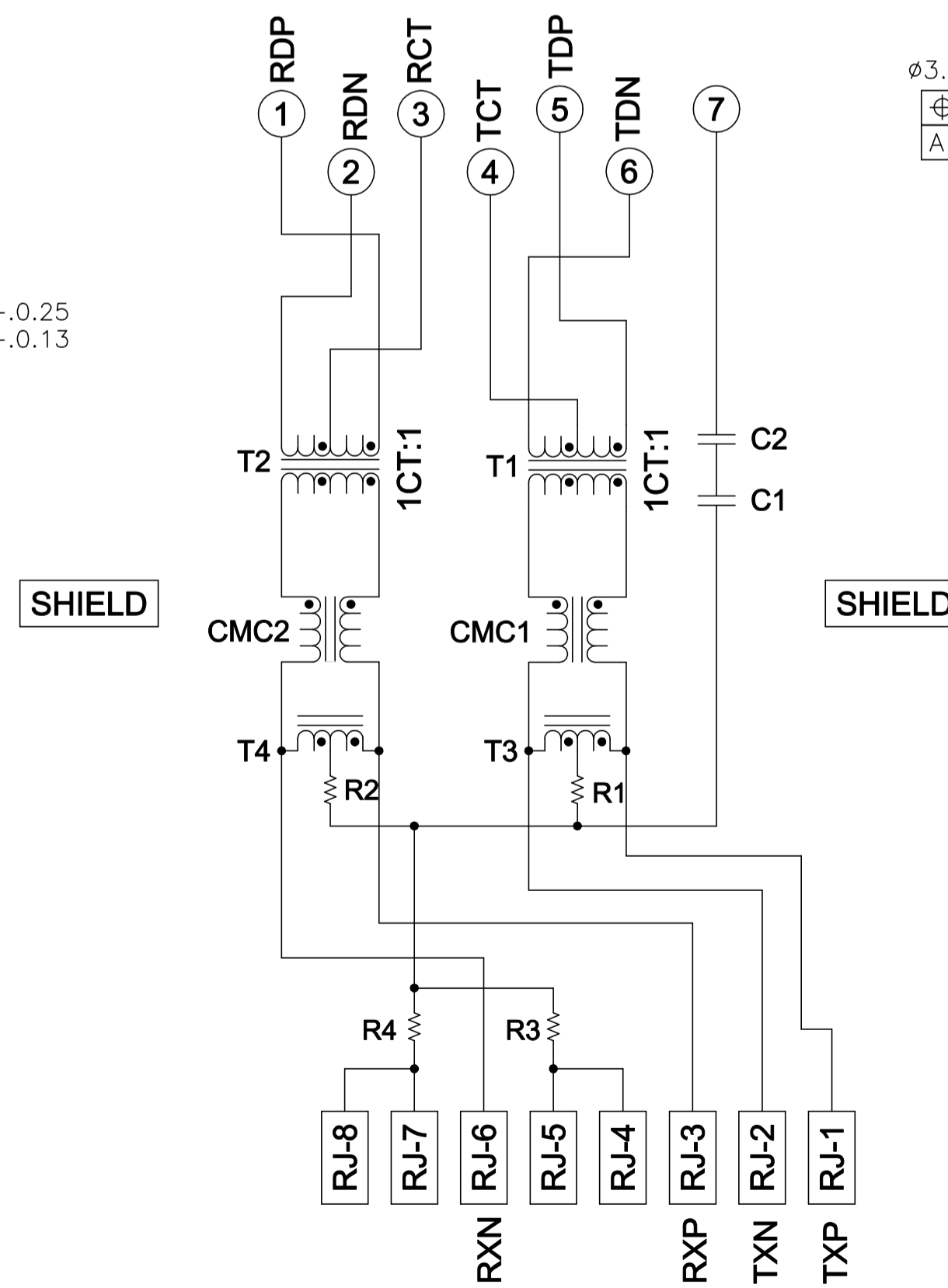


4. OPERATING TEMPERATURE: FROM 0 °C TO +70 °C.
- INDICATED CONNECTIONS ARE FOR NIC CONFIGURATION. THE MAGNETICS ARE SYMMETRIC TO SUPPORT AUTO-MDI/MDIX.
- TRP CONNECTOR LOGO, PART NUMBER, DATE CODE, COUNTRY OF ORIGIN AND AGENCY APPROVAL MARKING IN APPROXIMATE LOCATION SHOWN.
- DATUM AND BASIC DIMENSIONS ESTABLISHED BY CUSTOMER.
8. THE PART IS RECOMMENDED FOR WAVE SOLDERING PROCES, PREHEAT TEMPERATURE IS 120°C TO 160°C, 120 SECONDS TO 180 SECONDS, PEAK WAVE SOLDERING TEMPERATURE IS 260°C MAX, 10 SECONDS MAX.

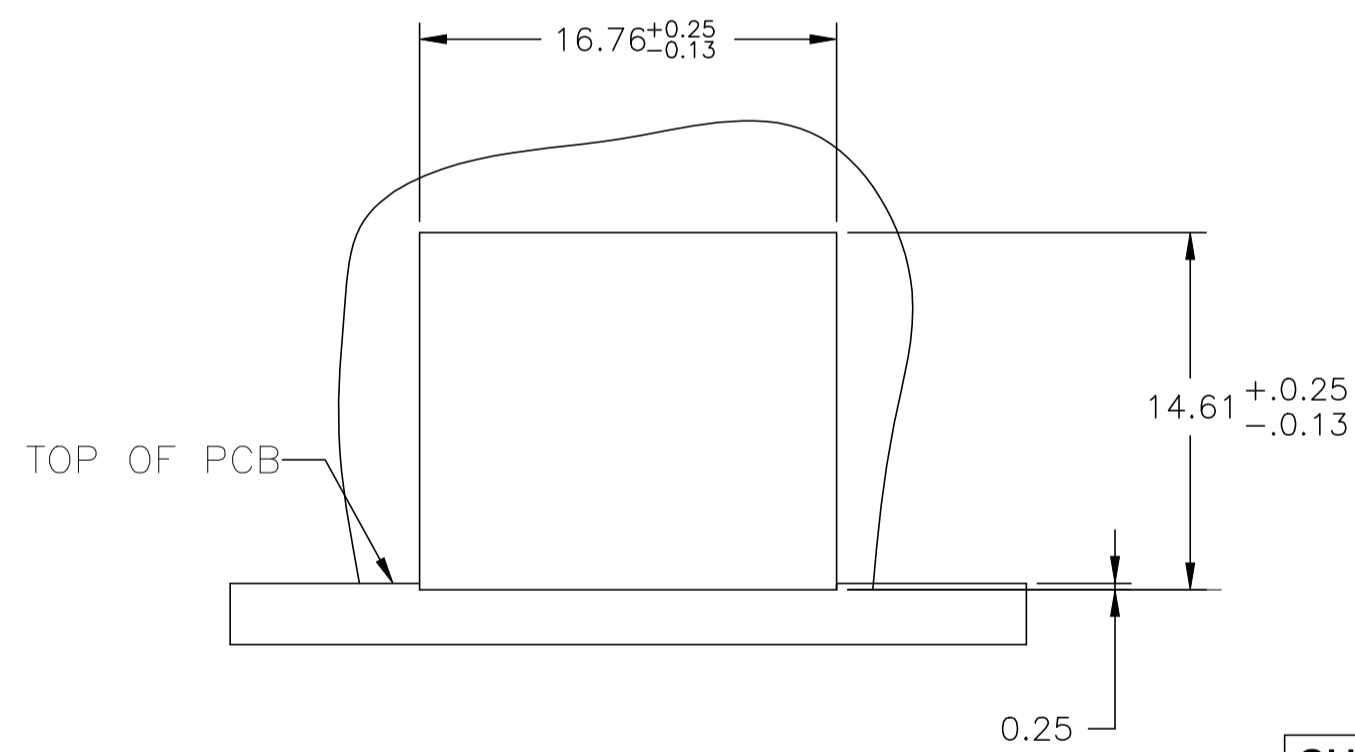


Suggested PCB Layout (Component Side)

792 10/100 BASE-T CIRCUIT



C1-C2 = 1000 pF, 4 kV DECOUPLING CAPACITOR,
 R1-R4 = 75 OHMS, RESISTORS



SUGGESTED PANEL CUTOUT

1840761-1
 PART NUMBER

THIS DRAWING IS A CONTROLLED DOCUMENT.		OWN: LEON HUANG 11DEC2008	DDNGGUAN CHINA
DIMENSIONS: MM		CHK: TONY YUAN 11DEC2008	
TOLERANCES UNLESS OTHERWISE SPECIFIED:		APP'D: TEDDY XIONG 11DEC2008	
0 PLC ± 0.25	1 PLC ± 0.25	MODEL NAME: MAGJACK	DESC: 1X1 792 10/100 TAB UP W/O LED
2 PLC ± 0.25	3 PLC ± 0.25	MAGJACK	SIZE: A1
4 PLC ± 0.25	ANGLES ±	SINGLE NON-POE	CAGE CODE: 1840761
APPLICATION SPEC: 108-104004		CUSTOMER DRAWING	SCALE: SHEET 1 OF 1 REV D