



Chipsmall Limited consists of a professional team with an average of over 10 year of expertise in the distribution of electronic components. Based in Hongkong, we have already established firm and mutual-benefit business relationships with customers from,Europe,America and south Asia,supplying obsolete and hard-to-find components to meet their specific needs.

With the principle of “Quality Parts,Customers Priority,Honest Operation,and Considerate Service”,our business mainly focus on the distribution of electronic components. Line cards we deal with include Microchip,ALPS,ROHM,Xilinx,Pulse,ON,Everlight and Freescale. Main products comprise IC,Modules,Potentiometer,IC Socket,Relay,Connector.Our parts cover such applications as commercial,industrial, and automotives areas.

We are looking forward to setting up business relationship with you and hope to provide you with the best service and solution. Let us make a better world for our industry!



## Contact us

Tel: +86-755-8981 8866 Fax: +86-755-8427 6832

Email & Skype: info@chipsmall.com Web: www.chipsmall.com

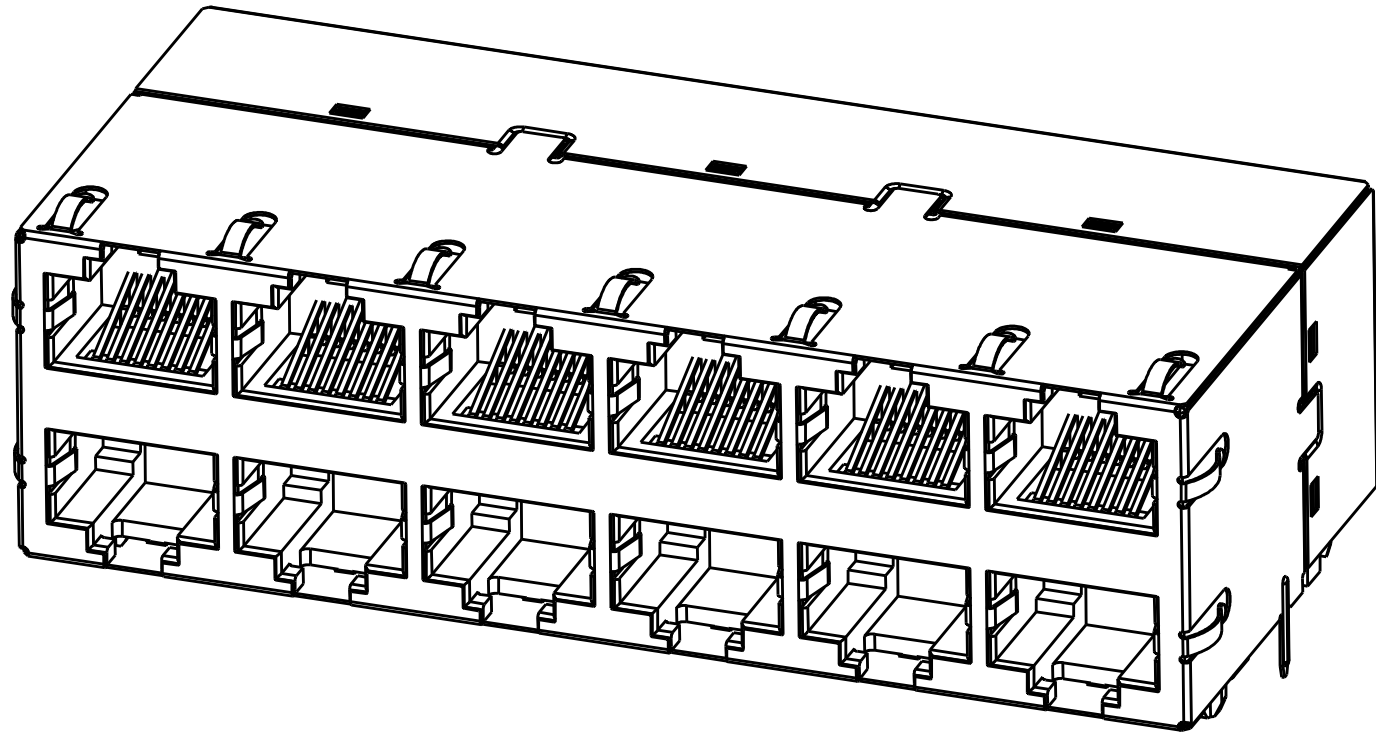
Address: A1208, Overseas Decoration Building, #122 Zhenhua RD., Futian, Shenzhen, China



THIS DRAWING AND THE SUBJECT MATTER SHOWN THEREON ARE CONFIDENTIAL AND THE PROPERTY OF BEL/STEWART/TRP CONNECTOR AND SHALL NOT BE REPRODUCED, COPIED, OR USED IN ANY MANNER WITHOUT THE WRITTEN CONSENT OF TRP CONNECTOR.

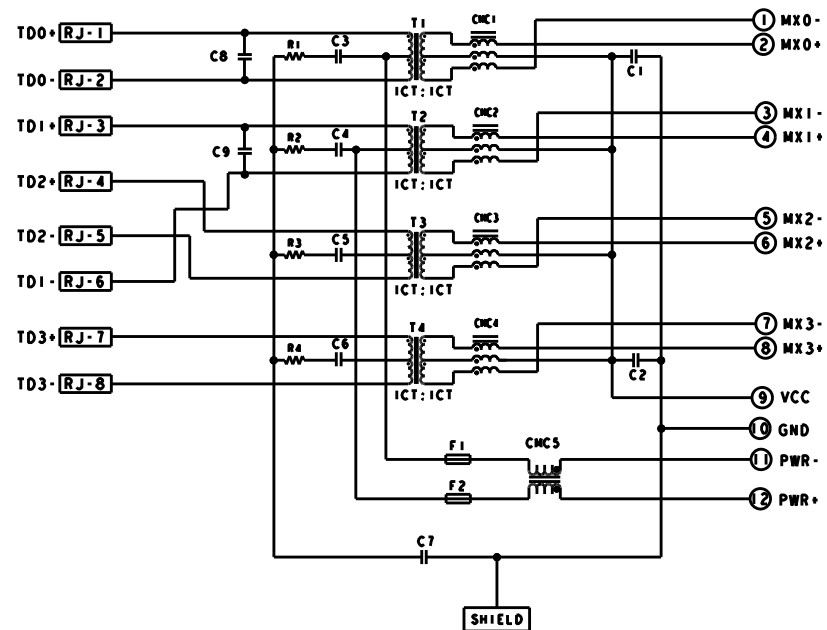
PRODUCT MAY BE PROTECTED BY ONE OR MORE OF THE FOLLOWING US PATENTS:  
 5736910 5939955 6425781 6428361 6554638 6840817 7123117  
 7429195 7717749 7808751 6217391 6149050 7924130

REVISIONS				
REV	DATE	BY	CHK	APPV
F	23DEC2014	RL	KZ	
DESCRIPTION				
EC-1411035 COMPANY LOGO CHANGE				



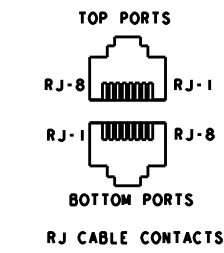
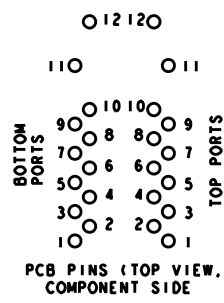
- MATERIALS:**  
 PLASTIC HOUSING: BLACK, THERMOPLASTIC FLAMMABILITY RATING UL 94V-0  
 SHIELD: BRASS, PREPLATED WITH 0.76um MIN SEMI-BRIGHT NICKEL,  
 POST DIPPED WITH 2.54um MIN SAC SOLDER ON SOLDER TAILS,  
 CONTACTS: PHOSPHOR BRONZE, 1.27um MIN OVERALL NICKEL  
 UNDERPLATE WITH SELECT 1.27um MIN GOLD AT MATING INTERFACE  
 AND 2.54um MIN MATTE TIN ON SOLDER TAILS.  
 ALL PCB BOARDS: HIGH TEMPERATURE PCB, TG>170°C
- MAGNETICS**  
 APPLICATION: 10/100/1000 BASE-T, PoE PLUS  
 IMPEDANCE: 100 OHMS  
 TURNS RATIO (CHIP:CABLE): 1:1 ALL FOUR PAIRS  
 OPEN CIRCUIT INDUCTANCE (OCL): ALL CHANNELS 350uH MIN @100kHz,  
 0.1VRMS WITH 8mADC BIAS FROM 0°C TO 70°C,  
 120uH MIN @100kHz, 0.1VRMS WITH 19mADC BIAS FROM 0°C TO 70°C,  
 ACROSS RJ1-RJ2 & RJ3-RJ6.  
 ALL FOUR PAIRS BI-DIRECTIONAL  
 POE CURRENT: 600mADC MAX  
 PERFORMANCE @ 25°C:  
 INSERTION LOSS (IL): 1.1dB MAX FROM 0.5MHz TO 100MHz  
 RETURN LOSS (RL): 18dB MIN FROM 0.5MHz TO 40MHz  
 12-20LOG(f/80)dB MIN FROM 40.1MHz TO 100MHz  
 CROSSTALK ATTENUATION: 35dB MIN FROM 0.5MHz TO 40MHz  
 33-20LOG(f/50)dB MIN FROM 40.1MHz TO 100MHz  
 COMMON MODE REJECTION RATIO (CMRR): 30dB MIN FROM 0.5MHz TO 100MHz  
 ISOLATION VOLTAGE: 2250VDC(MAX) FOR 60 SECONDS WITH A RISE TIME OF  
 500V/SEC AND WITH ALL PORTS CONNECTED.
- PART NUMBER, DATE CODE AND COUNTRY OF ORIGIN ARE  
 LOCATED IN APPROXIMATE AREA SHOWN. DATE CODE "YY"  
 IS YEAR, "WW" IS WORK WEEK, "D" IS DAY OF WEEK, WITH SUNDAY=1
- TRP CONNECTOR LOGO AND AGENCY APPROVAL LOGO ARE  
 LOCATED IN APPROXIMATE AREA SHOWN.
- OPERATING TEMP: FROM 0°C TO +70°C.
- RJ45 CAVITY CONFORMS TO FCC RULES AND REGULATION PART 68 SUBPART F.
- INDICATED MAGNETIC CONNECTIONS ARE SYMMETRICAL AND  
 SUPPORT AUTO-MDI/MDIX.
- DATUM AND BASIC DIMENSION ESTABLISHED BY CUSTOMER.
- BASIC DIMENSION ESTABLISHED BY CUSTOMER, BUT MAY NOT BE  
 GREATER THAN 5.08mm.
- THE PARTS ARE RECOMMENDED FOR WAVE SOLDERING PROCESS,  
 PEAK TEMPERATURE 260°C MAX, 10 SECONDS MAX.

**S9HG69 GIGABIT PoE PLUS CIRCUIT**  
 TOP AND BOTTOM PORTS

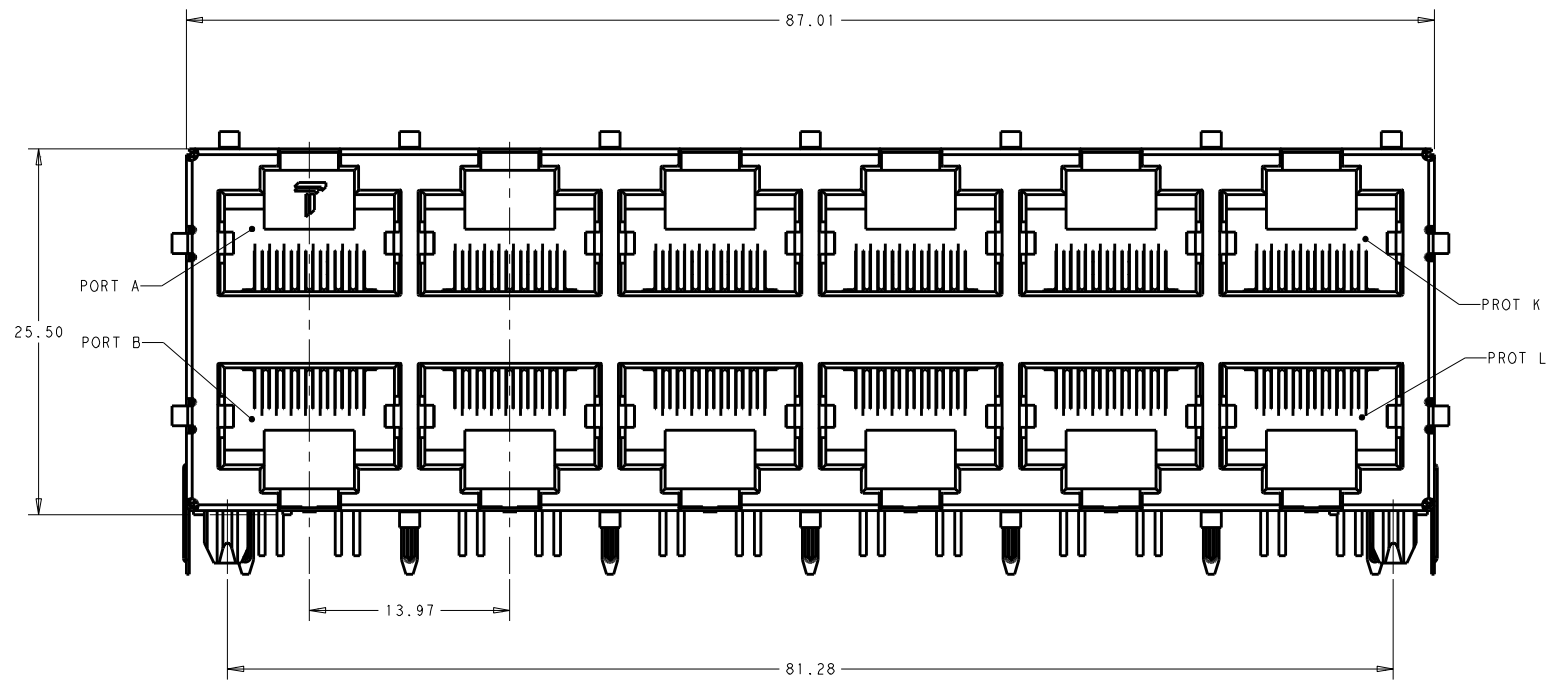
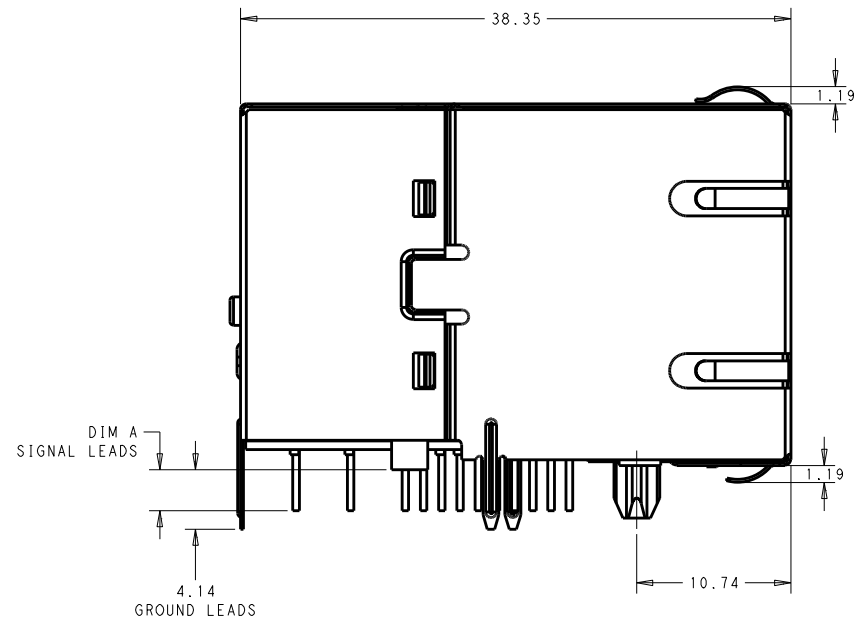
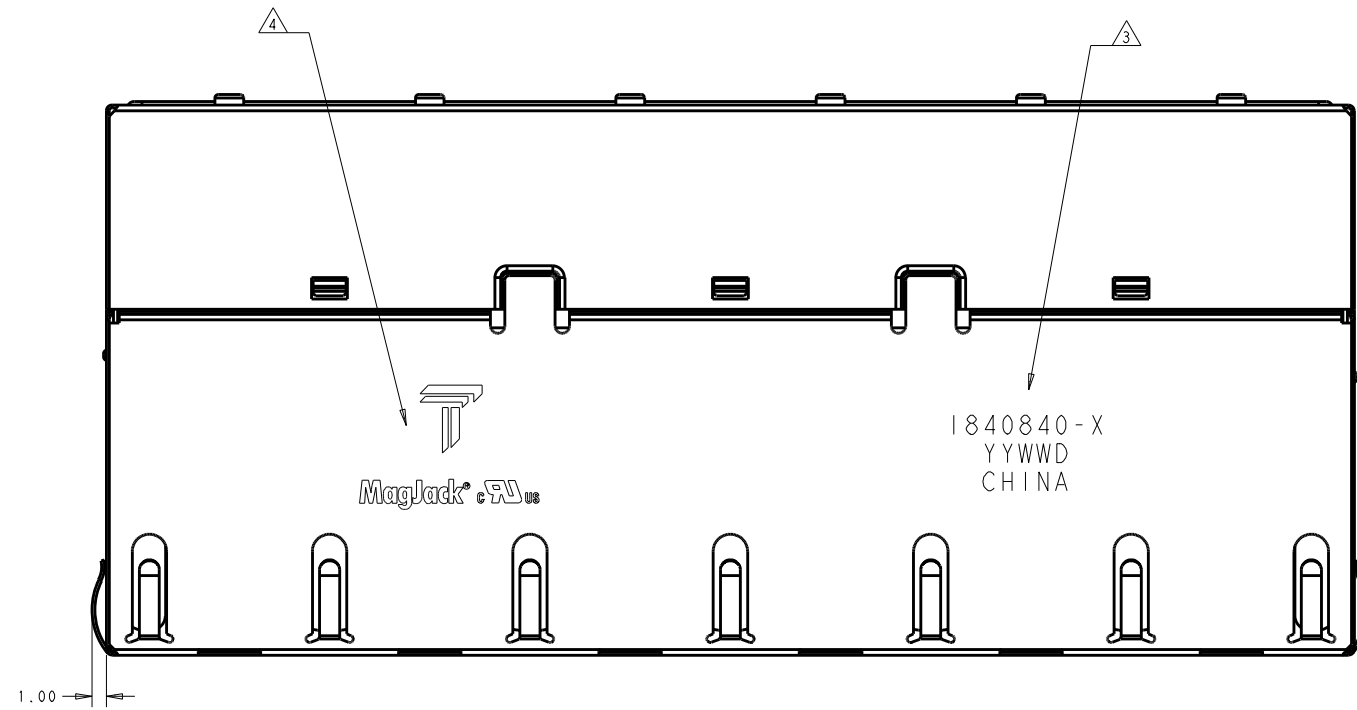


C1-C2=10nF, 50V, X7R, CAPACITORS  
 C3-C6=22nF, 100V, CAPACITORS  
 C8-C9=3.3pF, 50V, CAPACITORS  
 C7=1000pF, 2KV, CAPACITOR  
 R1-R4=750hms, 1/16W, RESISTORS  
 F1-F2=63V, 1.5A, FUSES

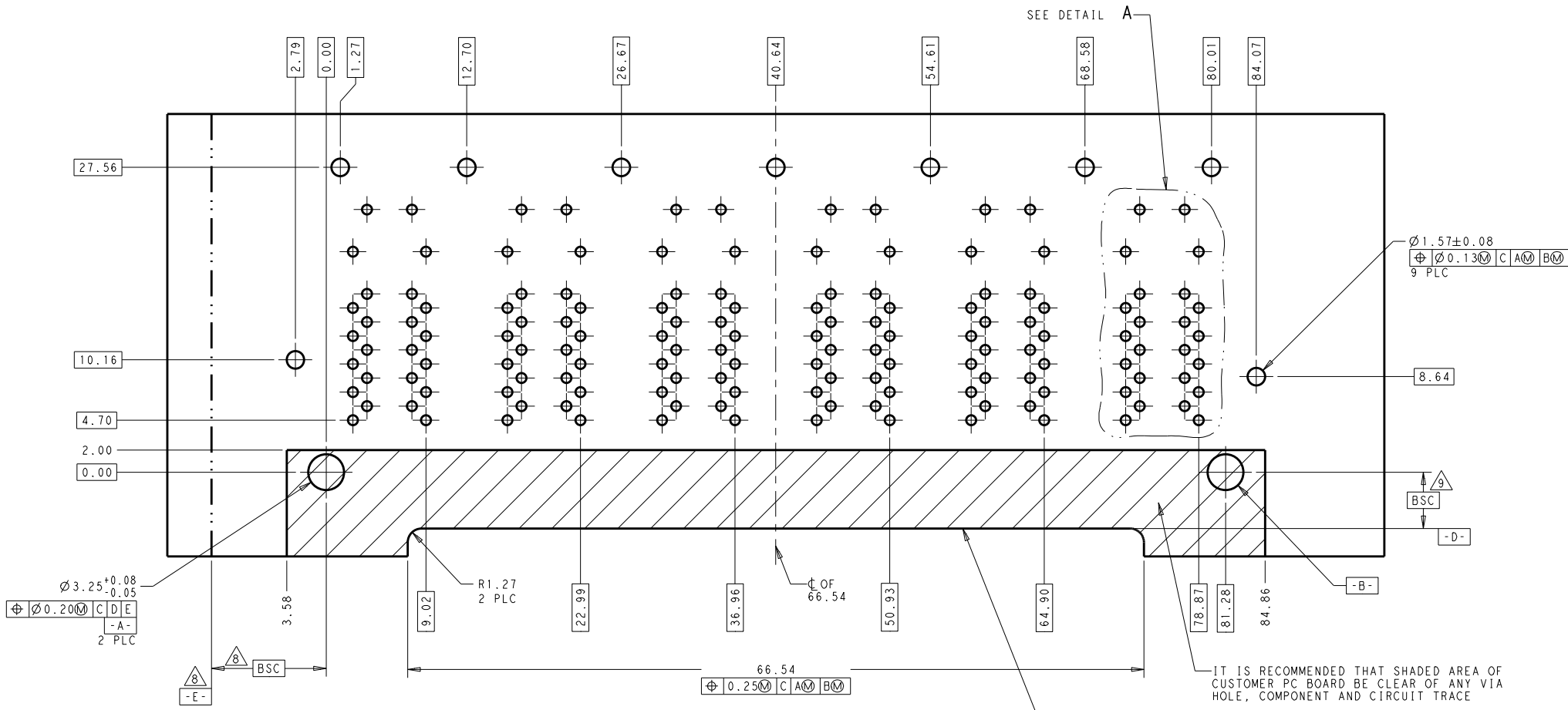
**PIN DESIGNATIONS**  
 (REPEAT FOR EACH  
 VERTICAL PAIR OF PORTS)



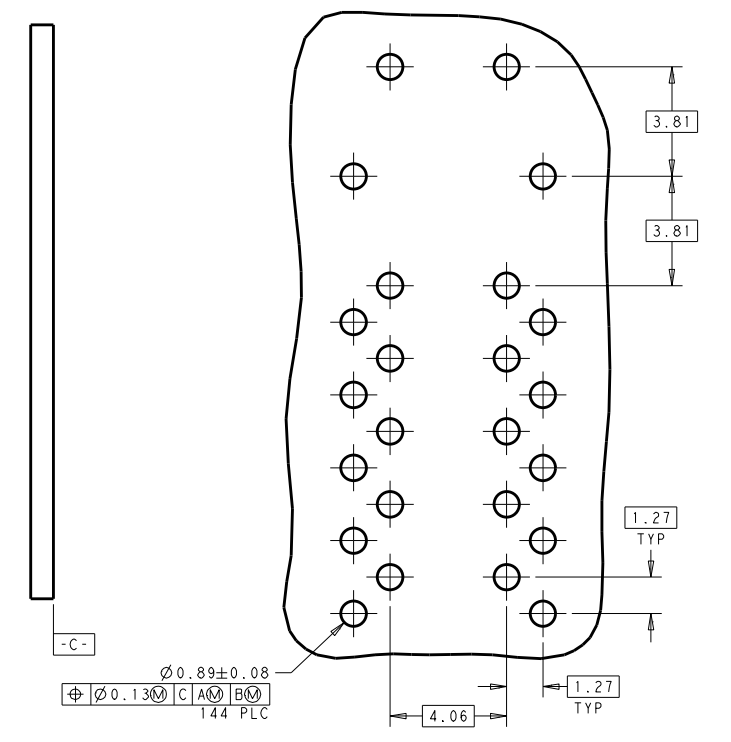
THIS DRAWING IS A CONTROLLED DOCUMENT.		DIMENSIONS: mm 		TOLERANCES UNLESS OTHERWISE SPECIFIED: 0 PLC ± 1 PLC ± 2 PLC ±0.25 3 PLC ± 4 PLC ±		DIM A 2.84 PART NUMBER 1840840-1	
PRODUCT SPEC 108-104004		APPLICATION SPEC -		MODEL NAME MAGJACK STACK POE PLUS		DESC 2X6 S9HG69 GIGABIT PoE PLUS W/O LED	
CUSTOMER DRAWING		SCALE NTS		SHEET 1 OF 3		REV F	



THIS DRAWING IS A CONTROLLED DOCUMENT.		DRN TOMMY R/ JOHNSON G 16SEP2010	 <b>trp</b> CONNECTOR <small>a bel group</small>	DONGGUAN CHINA
DIMENSIONS: mm		CHK TONY YUAN 16SEP2010		DESC 2X6 S9HG69 GIGABIT PoE PLUS W/O LED
TOLERANCES UNLESS OTHERWISE SPECIFIED:		APVD KELTH ZHU 16SEP2010	MODEL NAME MAGJACK	SIZE A1
0 PLC ± 1 PLC ± 2 PLC ±0.25 3 PLC ± 4 PLC ± ANGLES ±		PRODUCT SPEC 108-104004	APPLICATION SPEC	DRAWING NO 1840840
		Customer Drawing	SCALE NTS	SHEET 2 OF 3
				REV F



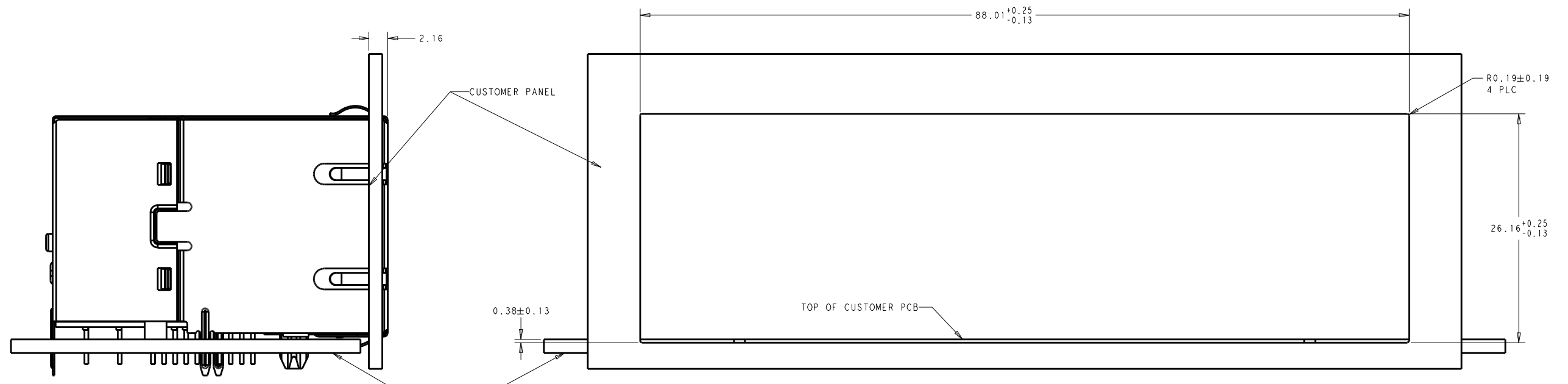
RECOMMENDED PCB LAYOUT COMPONENT SIDE VIEW



DETAIL A SCALE 8:1

IT IS RECOMMENDED THAT SHADED AREA OF CUSTOMER PC BOARD BE CLEAR OF ANY VIA HOLE, COMPONENT AND CIRCUIT TRACE

RECOMMENDED PCB FRONT EDGE CUTOUT: THE BOTTOM SHIELD GROUND TABS(FRONT) SHOULD NOT BE SEATED ON THE TOP OF THE PCB



SHOWN WITH PANEL AND CUSTOMER PCB ASSEMBLY

SUGGESTED PANEL CUTOUT DIMENSIONS

THIS DRAWING IS A CONTROLLED DOCUMENT.		DWN TOMMY R/ JOHNSON G CHK TONY YUAN APVD KEITH ZHU MODEL NAME DATE 16SEP2010 16SEP2010 16SEP2010	DONGGUAN CHINA
DIMENSIONS: mm 	TOLERANCES UNLESS OTHERWISE SPECIFIED: 0 PLC ± 1 PLC ± 2 PLC ±0.25 3 PLC ± 4 PLC ± ANGLES °	MAGJACK STACK POE PLUS	2X6 S9HG69 GIGABIT PoE PLUS W/O LED SIZE CAGE CODE DRAWING NO A1 1840840
PRODUCT SPEC 108-104004	APPLICATION SPEC -	Customer Drawing	RESTRICTED TO SCALE NTS SHEET 3 OF 3 REV F