



Chipsmall Limited consists of a professional team with an average of over 10 year of expertise in the distribution of electronic components. Based in Hongkong, we have already established firm and mutual-benefit business relationships with customers from,Europe,America and south Asia,supplying obsolete and hard-to-find components to meet their specific needs.

With the principle of “Quality Parts,Customers Priority,Honest Operation,and Considerate Service”,our business mainly focus on the distribution of electronic components. Line cards we deal with include Microchip,ALPS,ROHM,Xilinx,Pulse,ON,Everlight and Freescale. Main products comprise IC,Modules,Potentiometer,IC Socket,Relay,Connector.Our parts cover such applications as commercial,industrial, and automotives areas.

We are looking forward to setting up business relationship with you and hope to provide you with the best service and solution. Let us make a better world for our industry!



## Contact us

Tel: +86-755-8981 8866 Fax: +86-755-8427 6832

Email & Skype: info@chipsmall.com Web: www.chipsmall.com

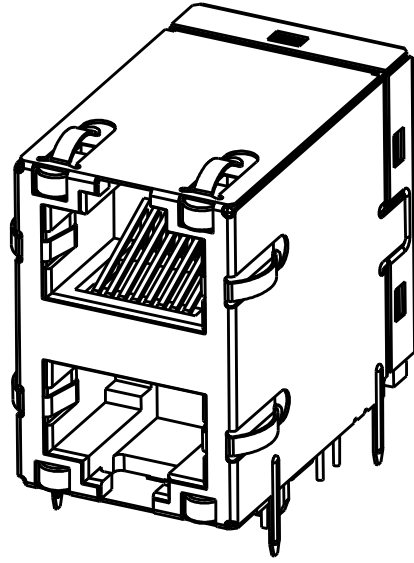
Address: A1208, Overseas Decoration Building, #122 Zhenhua RD., Futian, Shenzhen, China



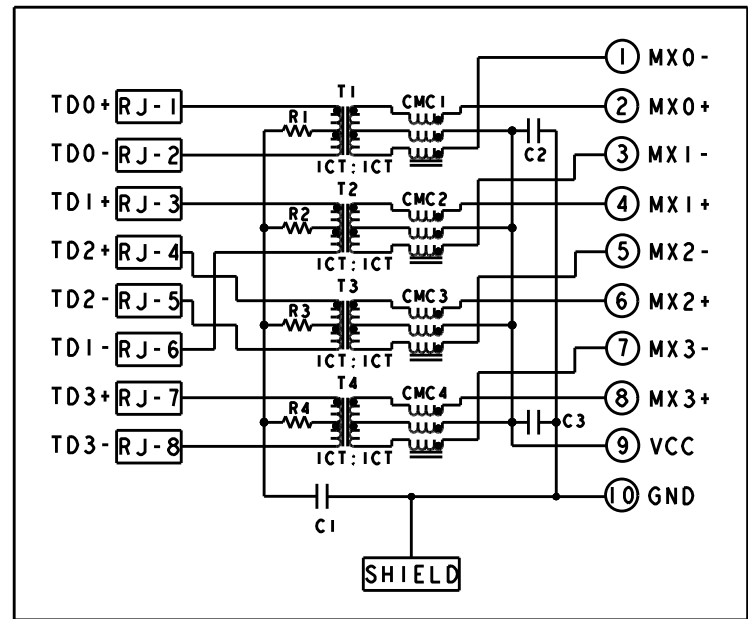
THIS DRAWING AND THE SUBJECT MATTER SHOWN THEREON ARE CONFIDENTIAL AND THE PROPERTY OF BEL/STEWART/TRP CONNECTOR AND SHALL NOT BE REPRODUCED, COPIED, OR USED IN ANY MANNER WITHOUT THE WRITTEN CONSENT OF TRP CONNECTOR.

PRODUCT MAY BE PROTECTED BY ONE OR MORE OF THE FOLLOWING US PATENTS:  
 5736910 5939955 6425781 6428361 6554638 6840817 7123117  
 7429195 7717749 7808751 6217391 6149050 7924130

REVISIONS				
REV	DATE	BY	APPV	DESCRIPTION
K	05JAN2015	CZ	TY	EC-1411035 COMPANY LOGO CHANGE



**S8G56 GIGABIT CIRCUIT**  
 TOP AND BOTTOM PORTS



C1 = 1000pF, 2kV CAPACITOR  
 C2 - C3 = 10nF, 50V CAPACITORS  
 R1-R4 = 75 Ohms, 1/16 W, RESISTORS

- MATERIALS:**  
 PLASTIC HOUSING: BLACK, THERMOPLASTIC FLAMMABILITY RATING UL 94V-0  
 SHIELD: BRASS, PREPLATED WITH 0.76um MIN SEMI-BRIGHT NICKEL,  
 POST DIPPED WITH 2.54um MIN SAC SOLDER ON SOLDER TAILS,  
 CONTACTS: PHOSPHOR BRONZE, 1.27um MIN OVERALL NICKEL  
 UNDERPLATE WITH SELECT 1.27um MIN GOLD AT MATING INTERFACE  
 AND 2.54um MIN MATTE TIN ON SOLDER TAILS.  
 LED: DIFFUSED EPOXY LENS, CARBON STEEL LEAD FRAME TAILS OF LED  
 ARE PREPLATED WITH 2.03um MIN SILVER OVER 1.02um MIN NICKEL  
 UNDERPLATE OVER 1.02um MIN COPPER UNDERPLATE. POST-PLATED WITH  
 2.54um MIN MATTE TIN AND/OR SAC SOLDER DIP OR PURE TIN SOLDER DIP  
 ALL PC BOARDS: HIGH TEMPERATURE PCB, TG>170°C
- MAGNETICS**  
 APPLICATION: 10/100/1000 BASE-T  
 IMPEDANCE: 100 OHMS  
 TURNS RATIO (CHIP:CABLE): 1:1 ALL FOUR PAIRS  
 OPEN CIRCUIT INDUCTANCE (OCL): 350uH MIN @100kHz, 0.1VRMS,  
 8mADC BIAS FROM 0°C TO 70°C, ALL FOUR PAIRS  
 ALL FOUR PAIRS BI-DIRECTIONAL  
 PERFORMANCE @ 25°C:  
 INSERTION LOSS (IL): 1.1dB MAX FROM 0.5MHz TO 100MHz  
 RETURN LOSS (RL): 18dB MIN FROM 0.5MHz TO 40MHz  
 12-20LOG(f/80)dB MIN FROM 40.1MHz TO 100MHz  
 CROSSTALK ATTENUATION: 35dB MIN FROM 0.5MHz TO 40MHz  
 33-20LOG(f/50)dB MIN FROM 40.1MHz TO 100MHz  
 COMMON MODE REJECTION RATIO (CMRR): 30dB MIN FROM 0.5MHz TO 100MHz  
 ISOLATION VOLTAGE: 2250VDC (MAX) FOR 60 SECONDS WITH A RISE TIME OF 500V/SEC AND  
 WITH ALL PORTS CONNECTED

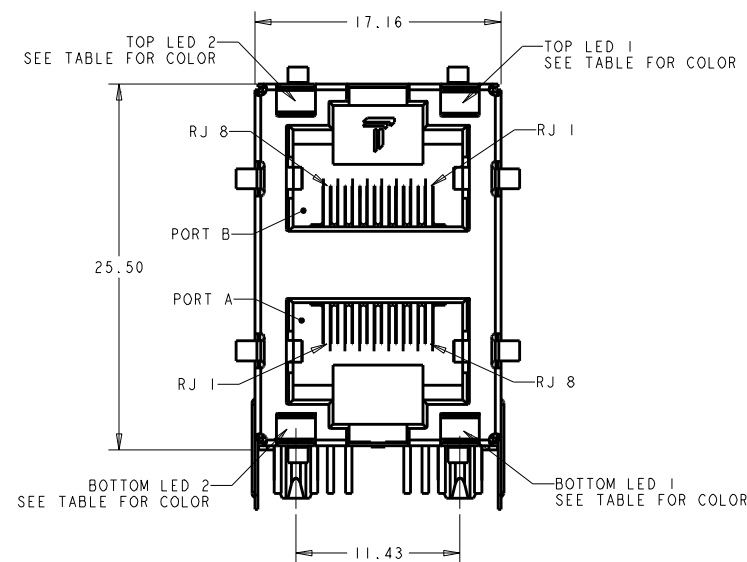
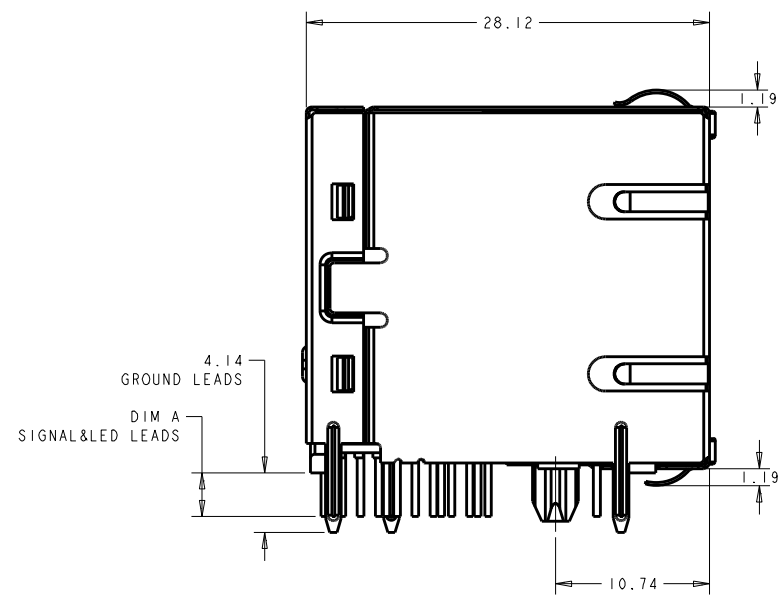
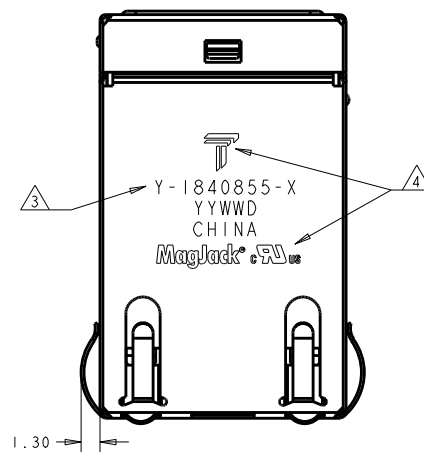
- PART NUMBER, DATE CODE AND COUNTRY OF ORIGIN ARE LOCATED IN APPROXIMATE AREA SHOWN. DATE CODE: "YY" IS YEAR, "WW" IS WORK WEEK, "D" IS DAY OF WEEK, WITH SUNDAY=1
- TRP CONNECTOR LOGO AND AGENCY APPROVAL LOGO ARE LOCATED IN APPROXIMATE AREA SHOWN.
- OPERATING TEMP: FROM 0°C TO +70°C.
- RJ45 CAVITY CONFORMS TO FCC RULES AND REGULATION PART 68 SUBPART F.
- INDICATED MAGNETIC CONNECTIONS ARE SYMMETRICAL AND SUPPORT AUTO-MDI/MDIX.
- DATUM AND BASIC DIMENSION ESTABLISHED BY CUSTOMER.
- BASIC DIMENSION ESTABLISHED BY CUSTOMER, BUT MAY NOT BE GREATER THAN 5.08mm.
- LEDS ARE DRIVEN WITH CONSTANT CURRENT AT APPROX 20mA  
 LED COLOR: DOMINANT WAVELENGTH (λD): GREEN 568 nm TYP. @ IF=20mA  
 FORWARD VOLTAGE (VF): GREEN 2.2V TYP. @ IF=20mA  
 DOMINANT WAVELENGTH (λD): YELLOW 588 nm TYP. @ IF=20mA  
 FORWARD VOLTAGE (VF): YELLOW 2.1V TYP. @ IF=20mA  
 DOMINANT WAVELENGTH (λD): ORANGE 605 nm TYP @ IF=20 mA  
 FORWARD VOLTAGE (VF): ORANGE 2.1V TYP @ IF=20 mA  
 DOMINANT WAVELENGTH (λD): ULTRA LOW WAVELENGTH GREEN (ULWG) 525 nm TYP. @ IF=20mA  
 FORWARD VOLTAGE (VF): ULTRA LOW WAVELENGTH GREEN (ULWG) 2.8V TYP. @ IF=20mA

11. THE PARTS ARE RECOMMENDED FOR WAVE SOLDERING PROCESS, PEAK TEMPERATURE 260°C MAX, 10 SECONDS MAX.

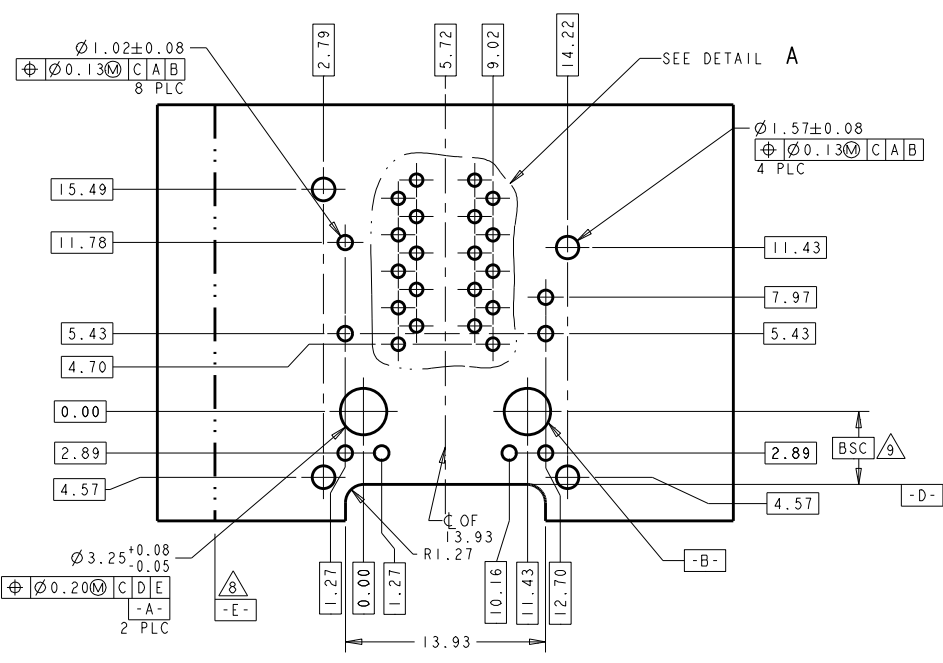
3.04	ULWG/YEL	ULWG	ULWG	ULWG/YEL	9-1840855-7
2.00	GREEN	YELLOW	GREEN	YELLOW	5-1840855-3
3.56	GREEN	GREEN	GREEN	GREEN	4-1840855-1
2.21	GREEN/YELLOW	GREEN/YELLOW	GREEN/YELLOW	GREEN/YELLOW	3-1840855-4
2.21	GREEN	GREEN	GREEN	GREEN	3-1840855-1
2.08	GREEN	YELLOW	GREEN	YELLOW	2-1840855-3
2.76	GREEN	GREEN	GREEN	GREEN	1-1840855-1
4.06	ULWG/YEL	ULWG/YEL	ULWG/YEL	ULWG/YEL	1-1840855-9
4.06	GREEN/YELLOW	GREEN/YELLOW	GREEN/YELLOW	GREEN/YELLOW	1-1840855-4
3.04	GREEN	GREEN/YELLOW	GREEN	GREEN/YELLOW	1840855-8
3.04	GREEN/ORANGE	GREEN/ORANGE	GREEN/ORANGE	GREEN/ORANGE	1840855-7
3.04	GREEN	GREEN/ORANGE	GREEN	GREEN/ORANGE	1840855-6
3.04	GREEN/YELLOW	GREEN	GREEN/YELLOW	GREEN	1840855-5
3.04	GREEN/YELLOW	GREEN/YELLOW	GREEN/YELLOW	GREEN/YELLOW	1840855-4
3.04	GREEN	YELLOW	GREEN	YELLOW	1840855-3
3.04	GREEN	GREEN	GREEN	GREEN	1840855-1
DIM A	BOTTOM LED 2	BOTTOM LED 1	TOP LED 2	TOP LED 1	PART NUMBER

THIS DRAWING IS A CONTROLLED DOCUMENT.

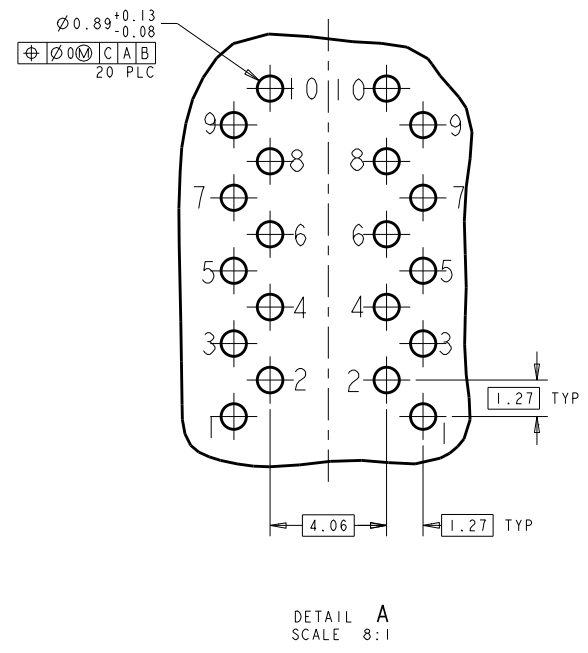
DIMENSIONS: mm 0 PLC ± 1 PLC ± 2 PLC ±0.25 3 PLC ± 4 PLC ±	TOLERANCES UNLESS OTHERWISE SPECIFIED: DIMENSIONS: mm 0 PLC ± 1 PLC ± 2 PLC ±0.25 3 PLC ± 4 PLC ±	DATE: 16NOV2010 DRAWN: JAMISON CHEN/RO LI CHK: TONY YUAN APV: KEITH ZHU MODEL NAME: MAGJACK PRODUCT SPEC: 108-104004 APPLICATION SPEC:	DATE: 16NOV2010 DRAWN: JAMISON CHEN/RO LI CHK: TONY YUAN APV: KEITH ZHU MODEL NAME: 2X1 GIGABIT S8G56 WITH LED PRODUCT SPEC: 108-104004 APPLICATION SPEC:	DONGGUAN CHINA SIZE: A1 SCALE: NTS SHEET 1 OF 4 REV: K
---	---	--	---	--



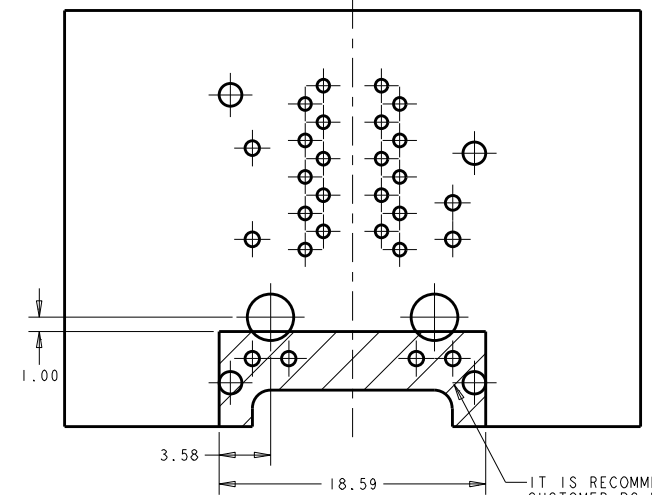
THIS DRAWING IS A CONTROLLED DOCUMENT.		DWN JAMISON CHEN/NO L1 16NOV2010		 trp CONNECTOR DONGGUAN CHINA
DIMENSIONS: mm		CHK TONY YUAN 16NOV2010		
TOLERANCES UNLESS OTHERWISE SPECIFIED:		APVD KE LTH ZHU 16NOV2010		MODEL NAME
0 PLC ± 1 PLC ± 2 PLC ±0.25 3 PLC ± 4 PLC ± ANGLES °		MAGJACK STACK NON-POE		DESC 2XI GIGABIT S8G56 WITH LED
PRODUCT SPEC	APPLICATION SPEC	SIZE	CAGE CODE	DRAWING NO
108-104004	-	A1	-	1840855
CUSTOMER DRAWING		SCALE	NTS	SHEET 2 OF 4 REV K



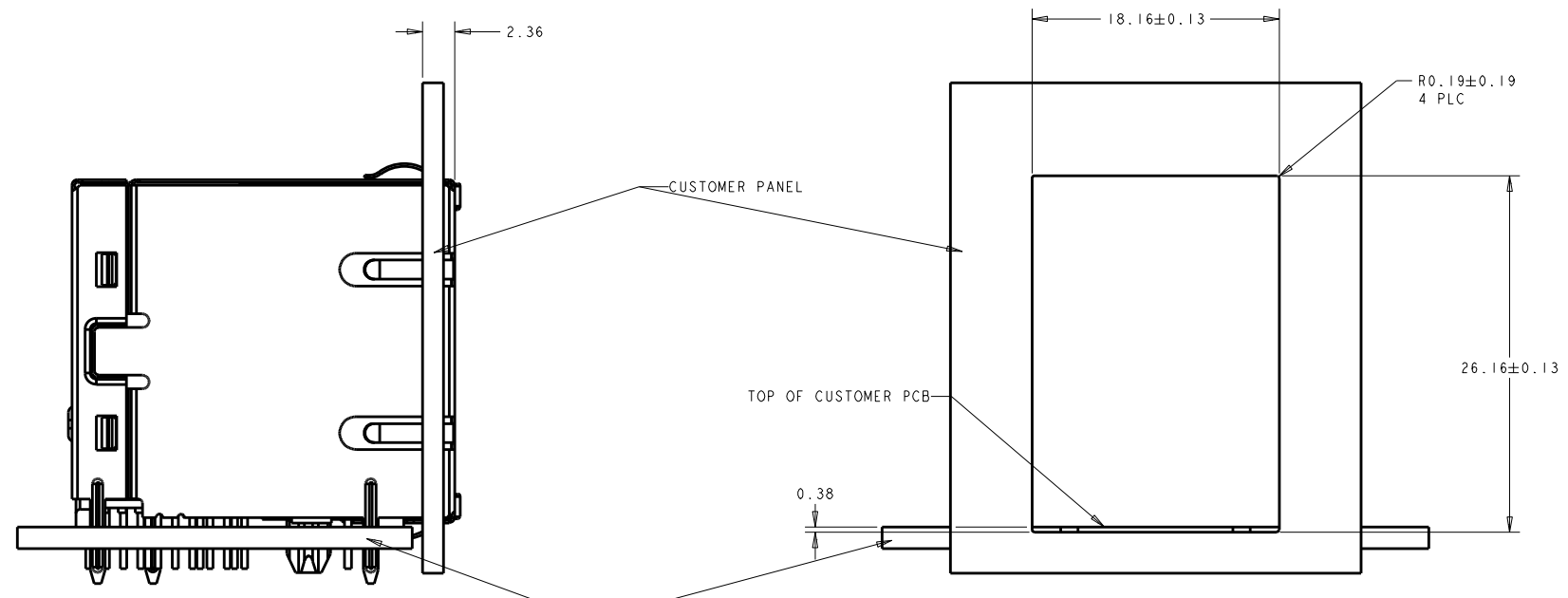
RECOMMENDED PCB LAYOUT COMPONENT SIDE VIEW



DETAIL A SCALE 8:1



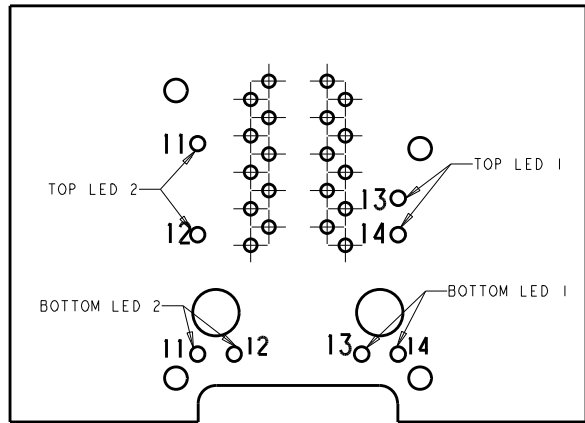
IT IS RECOMMENDED THAT SHADED AREA OF CUSTOMER PC BOARD BE CLEAR OF ANY VIA HOLE, COMPONENT AND CIRCUIT TRACE



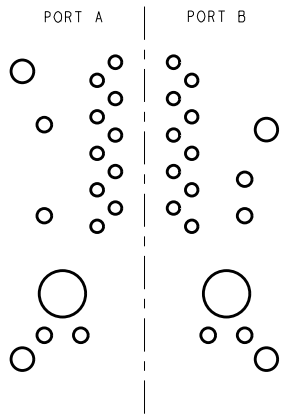
SHOWN WITH PANEL AND CUSTOMER PCB ASSEMBLY

SUGGESTED PANEL CUTOUT DIMENSIONS

THIS DRAWING IS A CONTROLLED DOCUMENT.		DW: JAMISON CHEN/NO.11 CHK: TONY YUAN APVD: KEITH ZHU		16NOV2010 16NOV2010 16NOV2010		trp CONNECTOR DONGGUAN CHINA	
DIMENSIONS: mm		TOLERANCES UNLESS OTHERWISE SPECIFIED:		MODEL NAME		DESC	
0 PLC ±		1 PLC ±		MAGJACK		2X1 GIGABIT S8G56 WITH LED	
2 PLC ±0.25		3 PLC ±		STACK NON-POE		SIZE CAGE CODE DRAWING NO	
4 PLC ±		ANGLES		108-104004		A1 © 1840855	
PRODUCT SPEC		APPLICATION SPEC		CUSTOMER DRAWING		RESTRICTED TO	
108-104004						SCALE NTS SHEET 3 OF 4 REV K	

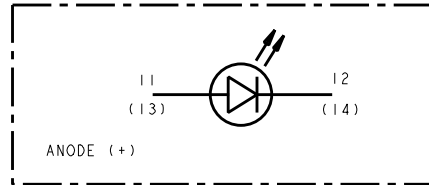


LED HOLE DESIGNATIONS  
VIEWED FROM COMPONENT SIDE

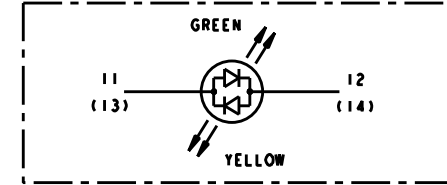


PORT ASSIGNMENT  
COMPONENT SIDE VIEW

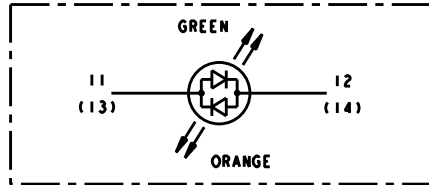
SINGLE COLOR LED



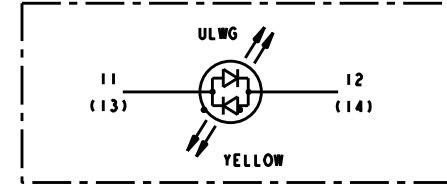
BI-COLOR LED



BI-COLOR LED



BI-COLOR LED



THIS DRAWING IS A CONTROLLED DOCUMENT.		DWN JAMISON CHEN/NO 16NOV2010 CHK TONY YUAN 16NOV2010 APVD KE LTH ZHU 16NOV2010		DONGGUAN CHINA	
DIMENSIONS: mm 	TOLERANCES UNLESS OTHERWISE SPECIFIED: 0 PLC ±- 1 PLC ±- 2 PLC ±0.25 3 PLC ±- 4 PLC ±- ANGLES °	MODEL NAME MAGJACK	DESC 2X1 GIGABIT S8G56 WITH LED	SIZE A1	DRAWING NO 1840855
PRODUCT SPEC 108-104004	APPLICATION SPEC -	CUSTOMER DRAWING	SCALE NTS	SHEET 4 OF 4	REV K