



Chipsmall Limited consists of a professional team with an average of over 10 year of expertise in the distribution of electronic components. Based in Hongkong, we have already established firm and mutual-benefit business relationships with customers from,Europe,America and south Asia,supplying obsolete and hard-to-find components to meet their specific needs.

With the principle of “Quality Parts,Customers Priority,Honest Operation,and Considerate Service”,our business mainly focus on the distribution of electronic components. Line cards we deal with include Microchip,ALPS,ROHM,Xilinx,Pulse,ON,Everlight and Freescale. Main products comprise IC,Modules,Potentiometer,IC Socket,Relay,Connector.Our parts cover such applications as commercial,industrial, and automotives areas.

We are looking forward to setting up business relationship with you and hope to provide you with the best service and solution. Let us make a better world for our industry!



## Contact us

Tel: +86-755-8981 8866 Fax: +86-755-8427 6832

Email & Skype: info@chipsmall.com Web: www.chipsmall.com

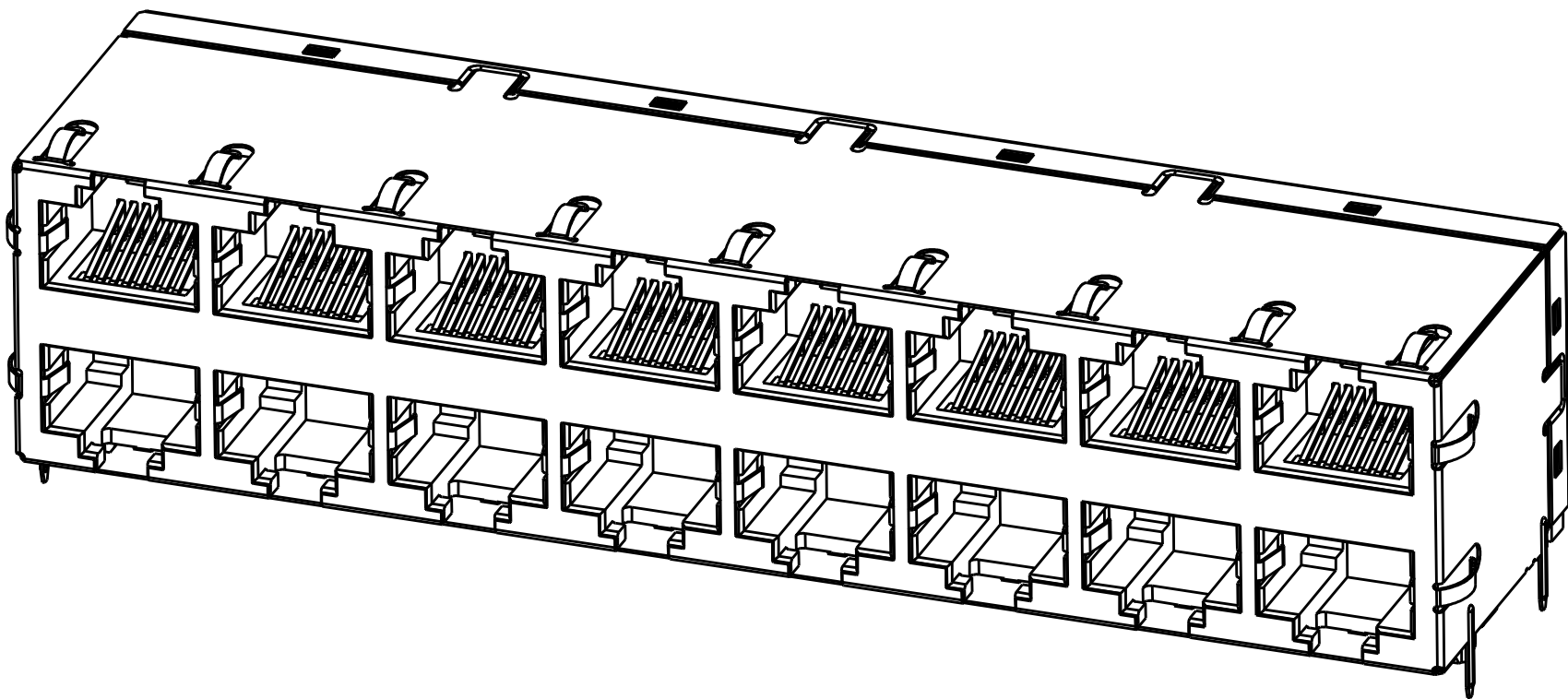
Address: A1208, Overseas Decoration Building, #122 Zhenhua RD., Futian, Shenzhen, China



THIS DRAWING AND THE SUBJECT MATTER SHOWN THEREON ARE CONFIDENTIAL AND THE PROPERTY OF BEL/STEWART/TRP CONNECTOR AND SHALL NOT BE REPRODUCED, COPIED, OR USED IN ANY MANNER WITHOUT THE WRITTEN CONSENT OF TRP CONNECTOR.

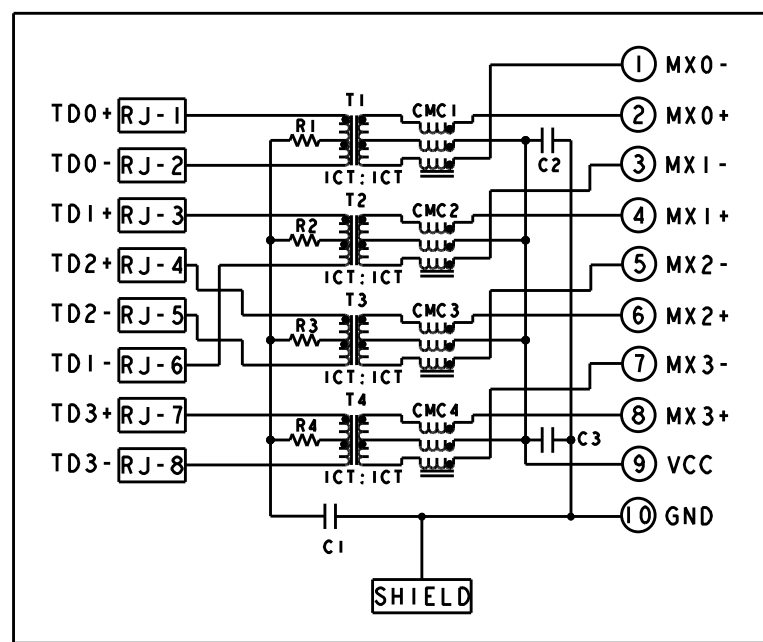
PRODUCT MAY BE PROTECTED BY ONE OR MORE OF THE FOLLOWING US PATENTS:  
 5736910 5939955 6425781 6428361 6554638 6840817 7123117  
 7429195 7717749 7808751 6217391 6149050 7924130

REVISONS				
#	LTR	DESCRIPTION	DATE	APPV
1	G	EC-1411035 COMPANY LOGO CHANGE	20JAN2015	CZ TY



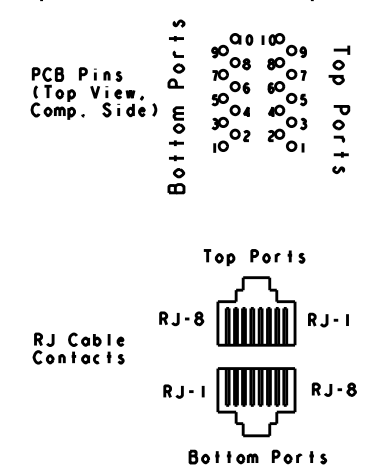
**S8G56 GIGABIT CIRCUIT**

Top and Bottom Ports



C1 = 1000pF, 2kV Capacitor  
 C2 - C3 = 10nF, 50V Capacitors  
 R1-R4 = 75 Ohms, 1/16 W, Resistors

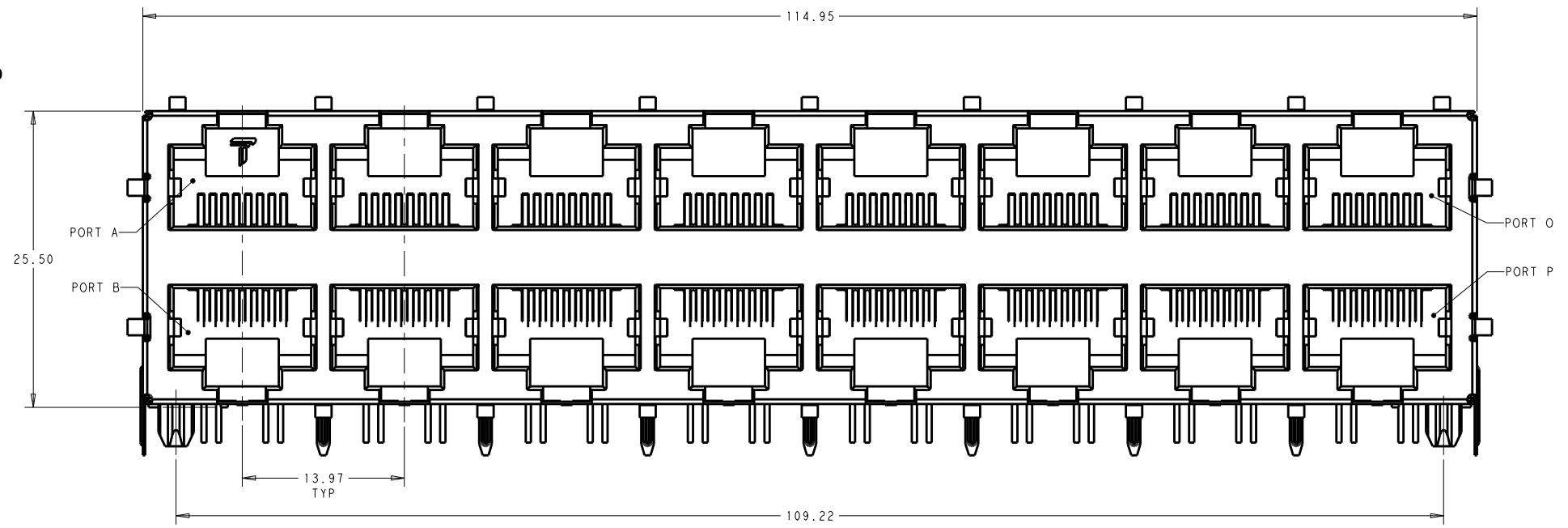
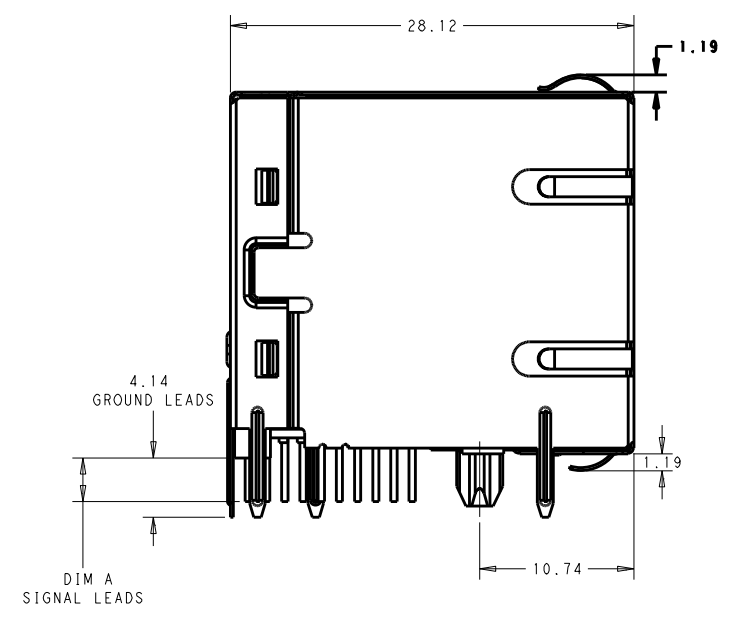
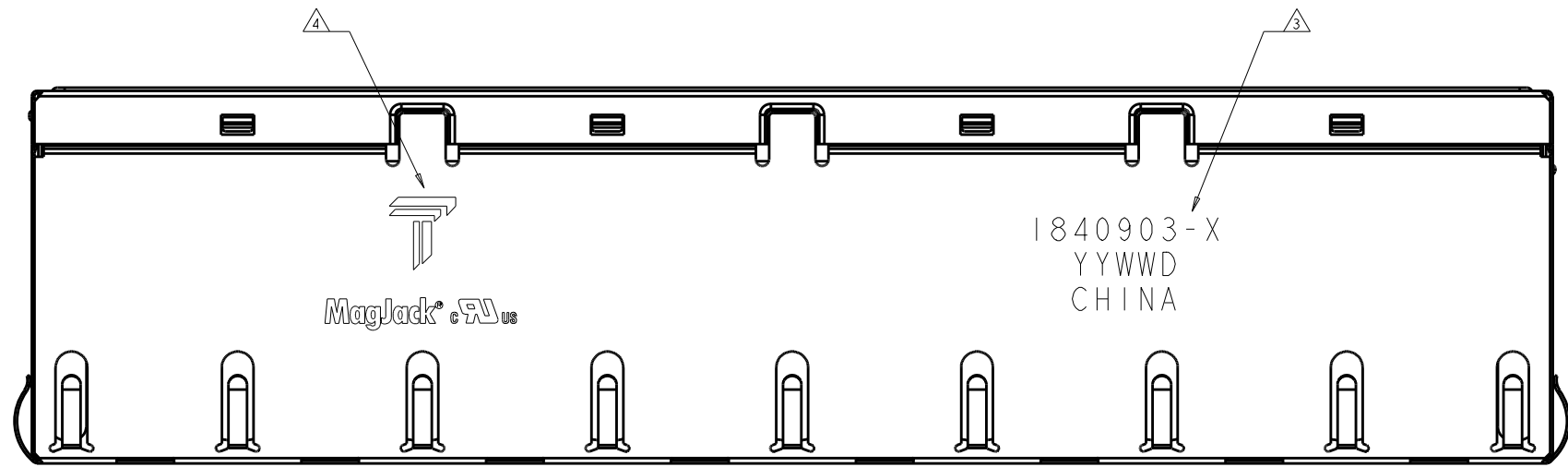
**Pin Designations**  
 (Repeat for each vertical pair of ports.)



1. MATERIALS:  
 PLASTIC HOUSING: BLACK, THERMOPLASTIC FLAMMABILITY RATING UL 94V-0  
 SHIELD: BRASS, PREPLATED WITH 0.76um MIN SEMI-BRIGHT NICKEL,  
 POST DIPPED WITH 2.54um MIN SAC SOLDER ON SOLDER TAILS.  
 CONTACTS: PHOSPHOR BRONZE, 1.27um MIN OVERALL NICKEL  
 UNDERPLATE WITH SELECT 1.27um MIN GOLD AT MATING INTERFACE  
 AND 2.54um MIN MATTE TIN ON SOLDER TAILS.  
 ALL PCB BOARDS: HIGH TEMPERATURE PCB, TG>170°C
- MAGNETICS  
 APPLICATION: 10/100/1000 BASE-T  
 IMPEDANCE: 100 OHMS  
 TURNS RATIO (CHIP:CABLE): 1:1 ALL FOUR PAIRS  
 OPEN CIRCUIT INDUCTANCE (OCL): 350uH MIN @100kHz, 0.1VRMS,  
 8mADC BIAS FROM 0°C TO 70°C, ALL FOUR PAIRS  
 ALL FOUR PAIRS BI-DIRECTIONAL  
 PERFORMANCE @ 25°C:  
 INSERTION LOSS (IL): 1.1dB MAX FROM 0.5MHz TO 100MHz  
 RETURN LOSS (RL): 18dB MIN FROM 0.5MHz TO 40MHz  
 12-20LOG(f/80)dB MIN FROM 40.1MHz TO 100MHz  
 CROSSTALK ATTENUATION: 35dB MIN FROM 0.5MHz TO 40MHz  
 33-20LOG(f/50)dB MIN FROM 40.1MHz TO 100MHz  
 COMMON MODE REJECTION RATIO (CMRR): 30dB MIN FROM 0.5MHz TO 100MHz  
 ISOLATION VOLTAGE: 2250VDC(MAX) FOR 60 SECONDS WITH A RISE TIME OF  
 500V/SEC AND WITH ALL PORTS CONNECTED.
- PART NUMBER, DATE CODE AND COUNTRY OF ORIGIN ARE  
 LOCATED IN APPROXIMATE AREA SHOWN. DATE CODE: YYWWD "YY" IS YEAR, "WW"  
 IS WORK WEEK, "D" IS DAY OF WEEK, WITH SUNDAY=1
- TRP LOGO AND AGENCY APPROVAL LOGO ARE  
 LOCATED IN APPROXIMATE AREA SHOWN.
5. OPERATING TEMP: FROM 0°C TO +70°C.
6. RJ45 CAVITY CONFORMS TO FCC RULES AND REGULATION PART 68 SUBPART F.
- INDICATED MAGNETIC CONNECTIONS ARE SYMMETRICAL AND  
 SUPPORT AUTO-MDI/MDIX.
- DATUM AND BASIC DIMENSION ESTABLISHED BY CUSTOMER.
- BASIC DIMENSION ESTABLISHED BY CUSTOMER, BUT MAY NOT BE  
 GREATER THAN 5.08mm.
10. THE PARTS ARE RECOMMENDED FOR WAVE SOLDERING PROCESS,  
 PEAK TEMPERATURE 260°C MAX, 10 SECONDS MAX.

3.56	1840903-4
3.30	1840903-3
2.79	1840903-2
3.04	1840903-1
DIM A	PART NUMBER

THIS DRAWING IS A CONTROLLED DOCUMENT.		DWN TOMMY REN 19NOV2009 CHK TONY YUAN 19NOV2009 APVD KELTH ZHU 19NOV2009 MODEL NAME MAGJACK STACK Non-PoE	 DONGGUAN CHINA 2X8 S8G56 GIGABIT W/O LED
DIMENSIONS: mm 	TOLERANCES UNLESS OTHERWISE SPECIFIED: 0 PLC ±0.25 1 PLC ±0.25 2 PLC ±0.25 3 PLC ±0.25 4 PLC ±0.25 ANGLES: °	SIZE A1 CAGE CODE DRAWING NO. 1840903 CUSTOMER DRAWING	RESTRICTED TO SCALE NTS SHEET 1 OF 3 REV G



THIS DRAWING IS A CONTROLLED DOCUMENT.		DRN TOMMY REN 19NOV2009	<b>trp</b> CONNECTOR DONGGUAN CHINA
DIMENSIONS: mm		CHK TONY YUAN 19NOV2009	
TOLERANCES UNLESS OTHERWISE SPECIFIED:		APVD KEITH ZHU 19NOV2009	
0 PLC ±0.25 1 PLC ±0.25 2 PLC ±0.25 3 PLC ±* 4 PLC ±* ANGLES ±*		MODEL NAME MAGJACK	DESC 2X8 S8G56 GIGABIT W/O LED
PRODUCT SPEC 108-104004	APPLICATION SPEC	SIZE A1	CAGE CODE DRAWING NO 1840903 RESTRICTED TO -
CUSTOMER DRAWING		SCALE NTS	SHEET 2 OF 3 REV G

