



Chipsmall Limited consists of a professional team with an average of over 10 year of expertise in the distribution of electronic components. Based in Hongkong, we have already established firm and mutual-benefit business relationships with customers from,Europe,America and south Asia,supplying obsolete and hard-to-find components to meet their specific needs.

With the principle of “Quality Parts,Customers Priority,Honest Operation,and Considerate Service”,our business mainly focus on the distribution of electronic components. Line cards we deal with include Microchip,ALPS,ROHM,Xilinx,Pulse,ON,Everlight and Freescale. Main products comprise IC,Modules,Potentiometer,IC Socket,Relay,Connector.Our parts cover such applications as commercial,industrial, and automotives areas.

We are looking forward to setting up business relationship with you and hope to provide you with the best service and solution. Let us make a better world for our industry!



Contact us

Tel: +86-755-8981 8866 Fax: +86-755-8427 6832

Email & Skype: info@chipsmall.com Web: www.chipsmall.com

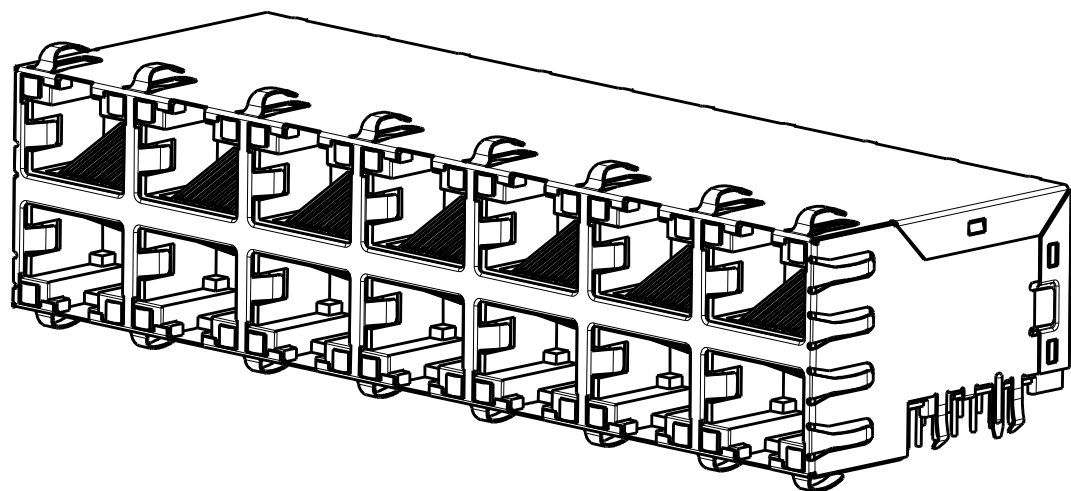
Address: A1208, Overseas Decoration Building, #122 Zhenhua RD., Futian, Shenzhen, China



THIS DRAWING AND THE SUBJECT MATTER SHOWN THEREON ARE CONFIDENTIAL AND THE PROPERTY OF BEL/STEWART/TRP CONNECTOR AND SHALL NOT BE REPRODUCED, COPIED, OR USED IN ANY MANNER WITHOUT THE WRITTEN CONSENT OF TRP CONNECTOR.

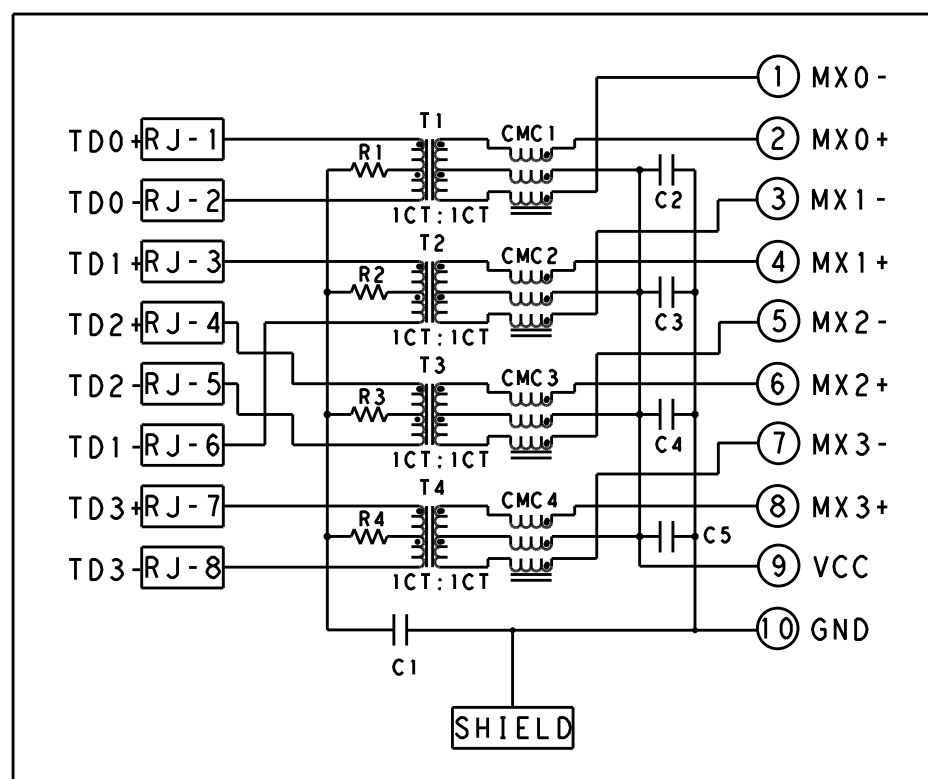
PRODUCT MAY BE PROTECTED BY ONE OR MORE OF THE FOLLOWING US PATENTS:
 5736910 5939955 6425781 6428361 6554638 6840817 7123117
 7429195 7717749 7808751 6217391 6149050 7924130

REVISONS				
LT#	DESCRIPTION	DATE	OWN	APVD
6	EC-1411035 COMPANY LOGO CHANGE	29JAN2015	CZ	TY



S8G16 GIGABIT CIRCUIT

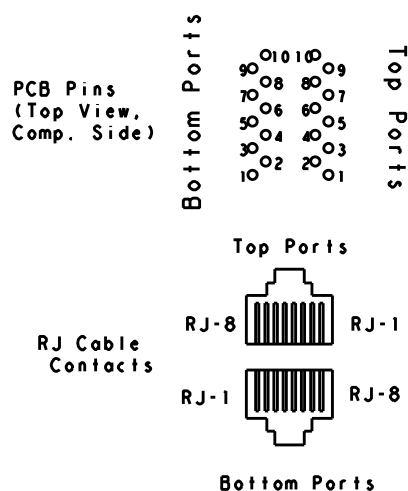
Top and Bottom Ports



C1 = 1000 pF, 2kV
 C2-C5 = 470pF, 10%, 50V
 R1-R4 = 75 Ohm, 1/16W

Pin Designations

(Repeat for each vertical pair of ports.)

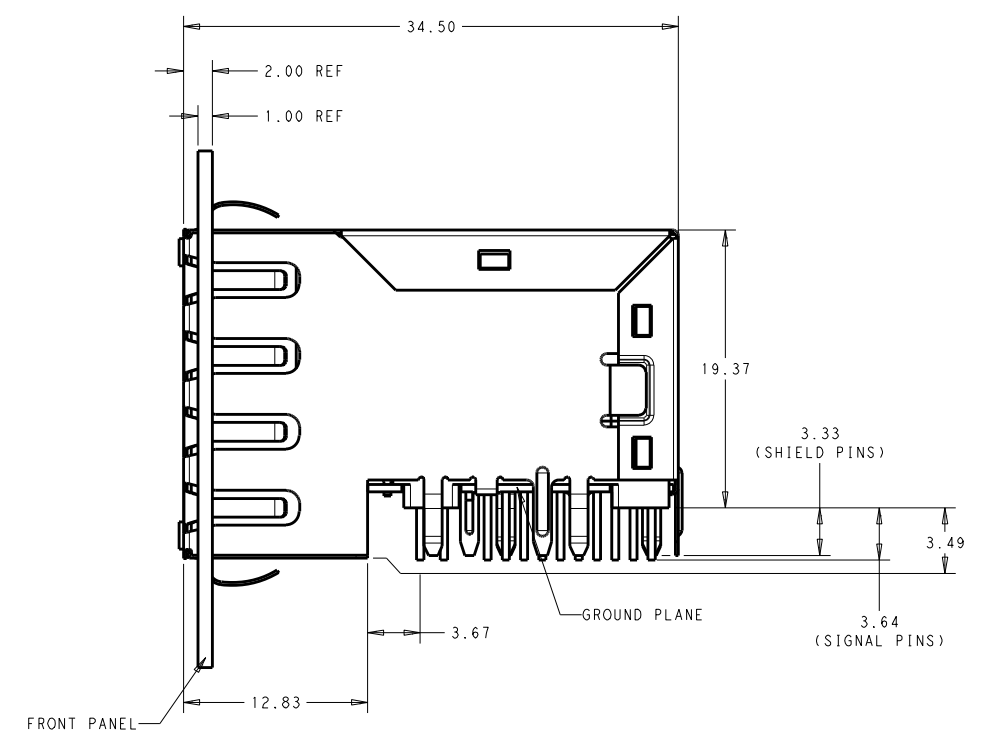
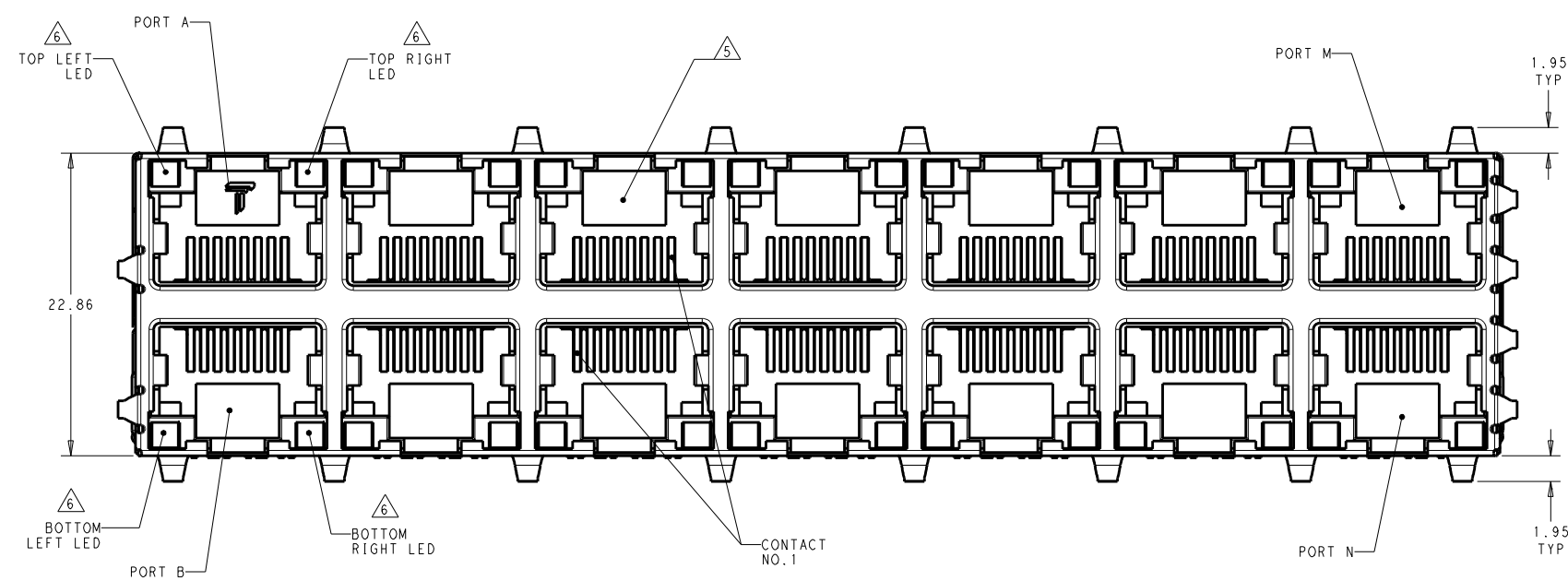
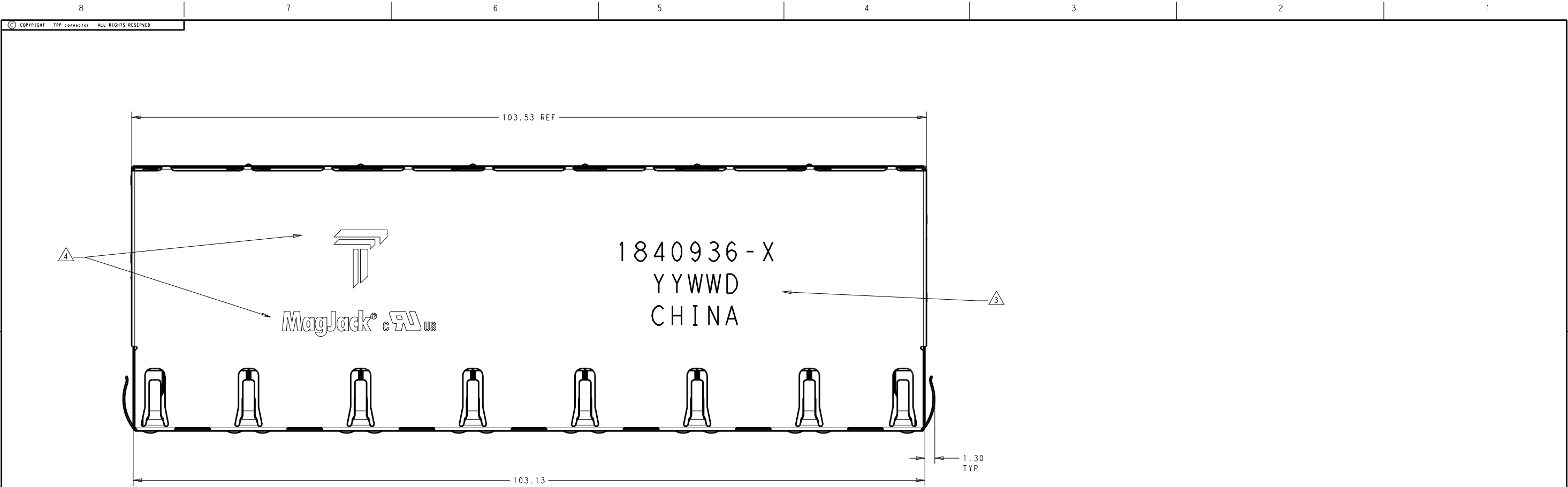


- △ **MATERIALS:**
 - HOUSING: THERMOPLASTIC, BLACK, FLAMMABILITY RATING UL 94V-0.
 - SHIELD: BRASS, PREPLATED WITH 0.76um MIN SEMI-BRIGHT NICKEL, POST DIPPED WITH 2.54um MIN SAC SOLDER ON SOLDER TAILS.
 - CONTACTS: PHOSPHOR BRONZE, PLATED WITH 1.27um MIN OVERALL NICKEL UNDERPLATE, SELECTIVE 1.27um MIN GOLD AT MATING INTERFACE AND 2.54um MIN MATTE TIN ON SOLDER TAILS.
 - LED: DIFFUSED EPOXY LENS, CARBON STEEL LEAD FRAME LEADS, PREPLATED WITH 2.03um MIN SILVER OVER 1.02um MIN NICKEL OVER 1.02um MIN COPPER UNDERPLATE, POST PLATED WITH 2.54um MIN MATTE TIN AND/OR 2.54um MIN SAC SOLDER DIP OR PURE TIN SOLDER DIP.
- △ **MAGNETICS:**
 - APPLICATION: 10/100/1000 BASE-T
 - IMPEDANCE: 100ohms
 - TURNS RATIO (CHIP:CABLE): 1:1 ALL FOUR PAIRS
 - OPEN CIRCUIT INDUCTANCE (OCL): 350uH MIN @100kHz, 0.1VRMS, 8mA DC BIAS FROM 0°C TO 70°C, ALL FOUR PAIRS
 - ALL FOUR PAIRS BI-DIRECTIONAL
 - PERFORMANCE @25°C:
 - INSERTION LOSS (IL): 1.1dB MAX FROM 0.5MHz TO 100MHz
 - RETURN LOSS (RL): 18dB MIN FROM 0.5MHz TO 40MHz
 - 12-20LOG(f/80)dB MIN FROM 40.1MHz TO 100MHz
 - CROSSTALK ATTENUATION: 35dB MIN FROM 0.5MHz TO 40MHz
 - 33-20LOG(f/50)dB MIN FROM 40.1MHz TO 100MHz
 - COMMON MODE REJECTION RATIO (CMRR): 30dB MIN FROM 0.5MHz TO 100MHz
 - DIELECTRIC (ISOLATION VOLTAGE): 2250 VDC(MAX) FOR 60 SECS WITH RISE TIME OF 500V/SEC AND WITH ALL PORTS CONNECTED.
- △ PART NUMBER, DATE CODE AND COUNTRY OF ORIGIN ARE LOCATED IN THE APPROXIMATE AREA SHOWN. DATE CODE: YYWW WHERE YY IS YEAR, WW IS WORK WEEK. D IS DAY OF WEEK, WITH SUNDAY=1.
- △ TRP LOGO AND AGENCY APPROVAL LOGO ARE LOCATED IN THE APPROXIMATE AREA SHOWN.
- △ RJ45 CAVITIES CONFORM TO FCC RULES AND REGULATIONS PART 68 SUBPART F.
- △ LED IS DRIVEN WITH CONSTANT CURRENT AT APPROX 20mA
 LED COLOR: DOMINANT WAVELENGTH (λD): GREEN 568 nm TYP at IF=20mA
 FORWARD VOLTAGE (VF): GREEN 2.2V TYP at IF=20mA
- △ INDICATED MAGNETIC CONNECTIONS ARE SYMMETRICAL AND SUPPORT AUTO-MDI/MDIX.

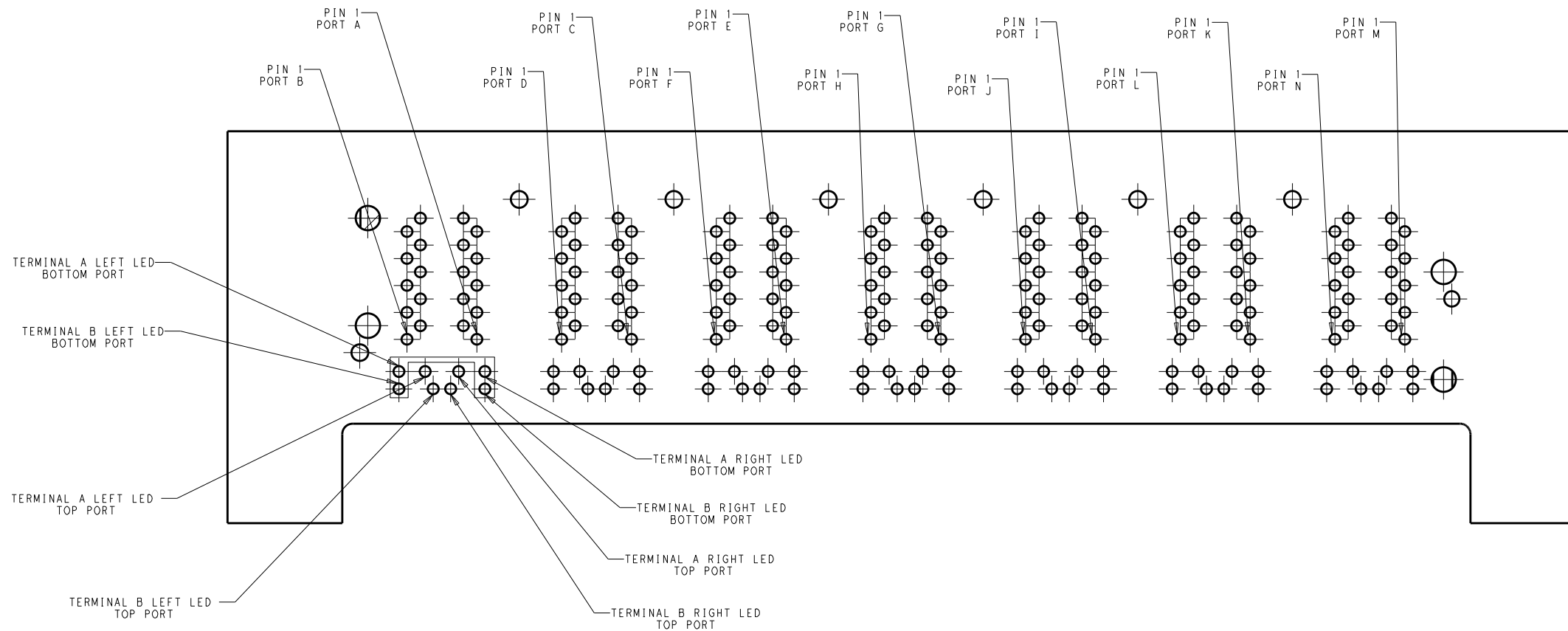
8 OPERATING TEMPERATURE: FROM 0°C TO 70°C

9 THE PARTS ARE RECOMMENDED FOR WAVE SOLDERING PROCESS, PEAK TEMPERATURE 260 °C MAX. 10 SECONDS MAX. IT IS RECOMMENDED THAT THE CONNECTOR SHIELD AND BODY BE MASKED TO PROTECT IT FROM DIRECT EXPOSURE TO THE SOLDER WAVE TO AVOID DAMAGE TO THE CONNECTOR AND LED.

GREEN	GREEN	GREEN	GREEN	1840936-1
BOTTOM LED 2 (LEFT)	BOTTOM LED 1 (RIGHT)	TOP LED 2 (LEFT)	TOP LED 1 (RIGHT)	PART NUMBER
THIS DRAWING IS A CONTROLLED DOCUMENT.				
DIMENSIONS: mm		DWN DALE PAN 26MAR2010 CKR DENNIS CHEN 26MAR2010 APVD KEITH ZHU 26MAR2010		
0 PLC ± 1 PLC ± 2 PLC ±0.25 3 PLC ± 4 PLC ±		MODEL NAME: MAGJACK DESC: 2X7 S8G16 GIGABIT OFFSET W/ LED SIZE: A1 CAGE CODE: 1840936 DRAWING NO: 1840936 RESTRICTED TO: CUSTOMER DRAWING		
PRODUCT SPEC: 108-104004	APPLICATION SPEC:	SCALE: NTS SHEET 1 OF 4 REV 6		

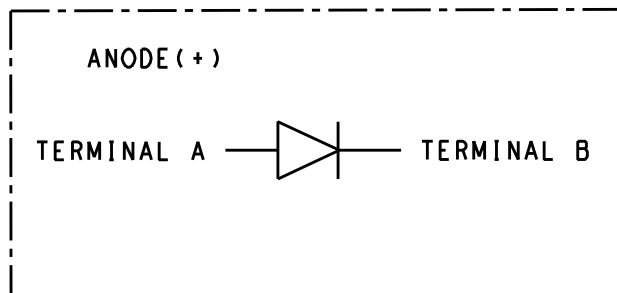


THIS DRAWING IS A CONTROLLED DOCUMENT.		DWG: DALE PAN 26MAR2010 CHK: DENNIS CHEN 26MAR2010 APVD: KEITH ZHU 26MAR2010	trp CONNECTOR DONGGUAN CHINA
DIMENSIONS: mm 	TOLERANCES UNLESS OTHERWISE SPECIFIED: 0 PLC ± 1 PLC ± 2 PLC ±0.25 3 PLC ± 4 PLC ± ANGLES ±	MODEL NAME MAGJACK	DESC 2X7 S8G16 GIGABIT OFFSET W/ LED
PRODUCT SPEC 108-104004	APPLICATION SPEC -	SIZE A1	CAGE CODE -
CUSTOMER DRAWING		DRAWING NO 1840936	RESTRICTED TO -
		SCALE NTS	SHEET 2 OF 4 REV 6



LED HOLE DESIGNATIONS VIEWED FROM COMPONENT SIDE
SCALE 4:1

SINGLE COLOR LED



THIS DRAWING IS A CONTROLLED DOCUMENT.		DATE PAN 26MAR2010	 DONGGUAN CHINA
DIMENSIONS: mm		CHK DENNIS CHEN 26MAR2010	
TOLERANCES UNLESS OTHERWISE SPECIFIED:		APVD KELETH ZHU 26MAR2010	MODEL NAME
0 PLC ±-	1 PLC ±-	2 PLC ±0.25	3 PLC ±-
4 PLC ±-	ANGLES		DESC 2X7 S8G16 GIGABIT OFFSET W/ LED
PRODUCT SPEC 108-104004	APPLICATION SPEC -	SIZE A1	CAGE CODE DRAWING NO. 1840936
CUSTOMER DRAWING		SCALE NTS	SHEET 4 OF 4 REV 6